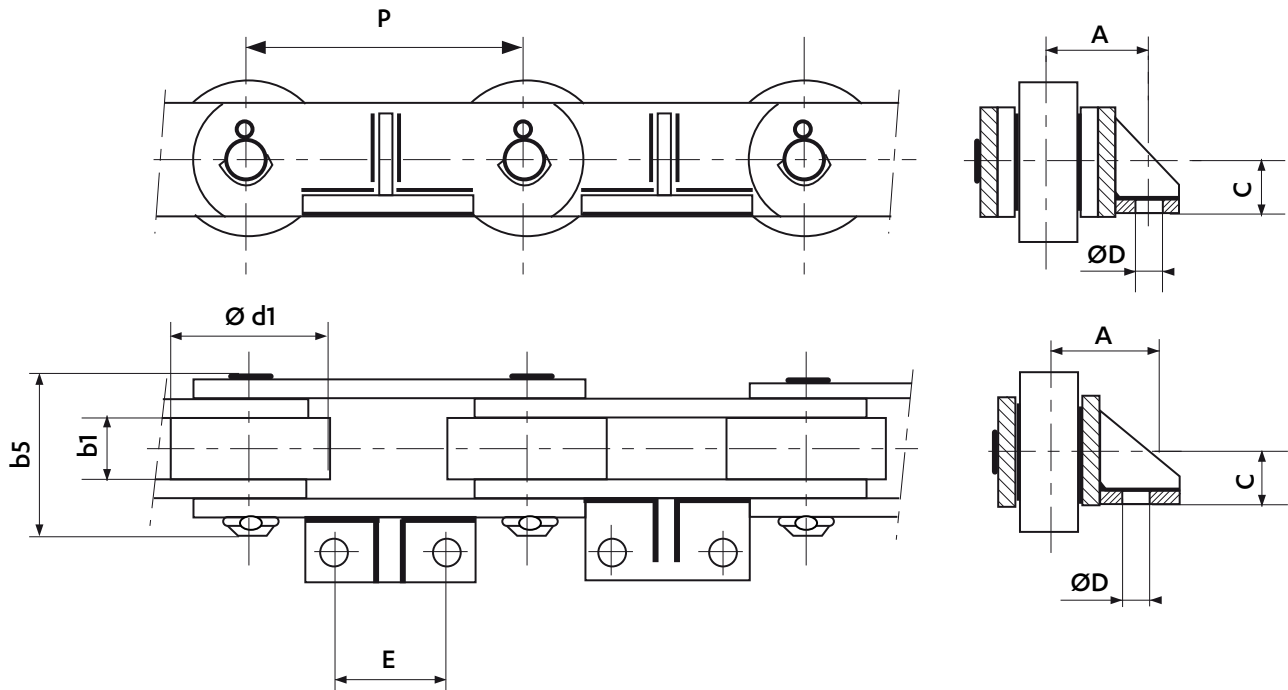


Dimensions in mm

## CHAIN FOR STEAM CHAMBER AND OUTLET RECEPTION



Chain ref	Pitch P	Min. width between inner plates		Wheel Ø d1	Attachments				Min. breaking load kN
		b1	b5		C	D	E	A	
5617-83	150,0	44	88	102	38,5	14	63,5	50,8	400
5749-05	152,4			98					
5678-05*			98	98		17			230
5678-04	175,0	44	101	98	31,5	17	70,0	65,0	600
5678-02			101	98		19			600
5678-01			101	98					600
5678-03	44	44	101	106	31,5	19	70,0	65,0	600

(\*) : Welded attachments without reinforcement

