



CHAINS FOR THE STEEL INDUSTRY

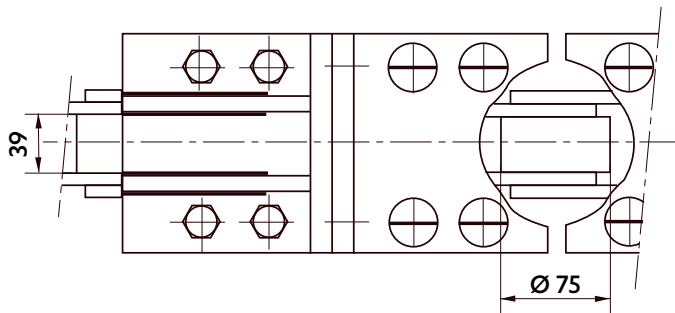
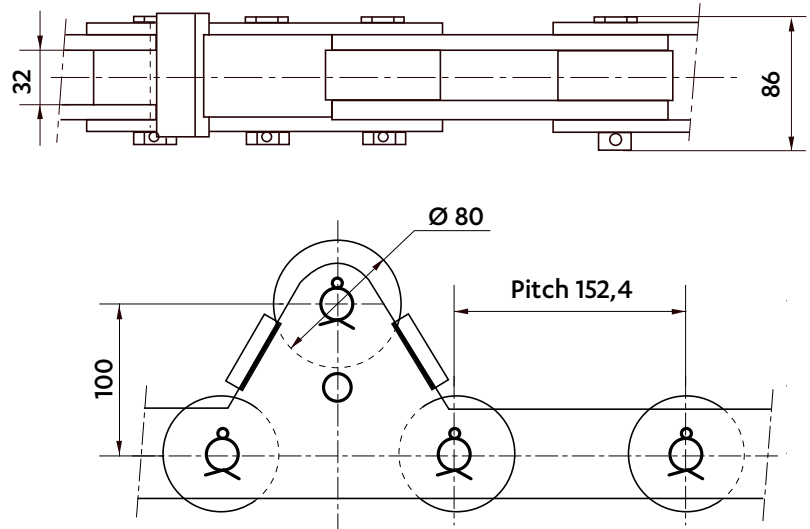
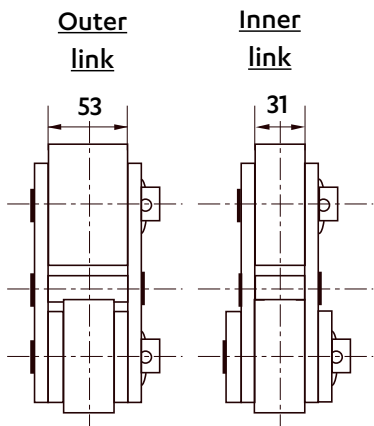
Dimensions in mm

CHAIN FOR TUBE TRANSPORT

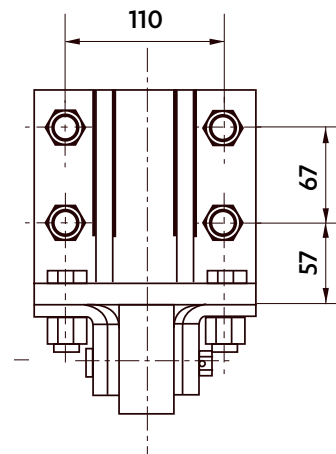
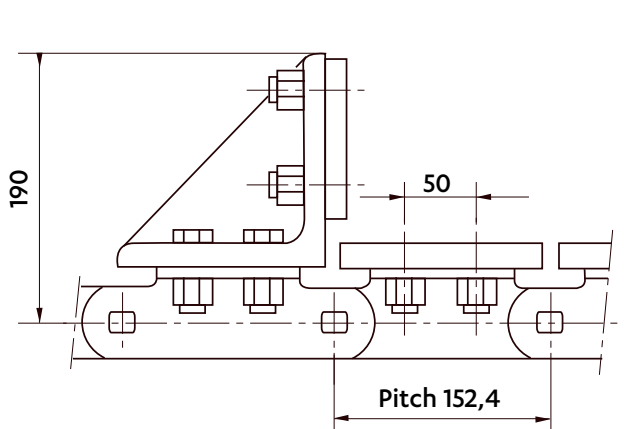
5784-01
Breaking load : 225 kN

Pushing blocks equipped with wheels for tube transport, their load being spread over several chains.

PUSHING BLOCK ON



5784-02
Breaking load : 250 kN

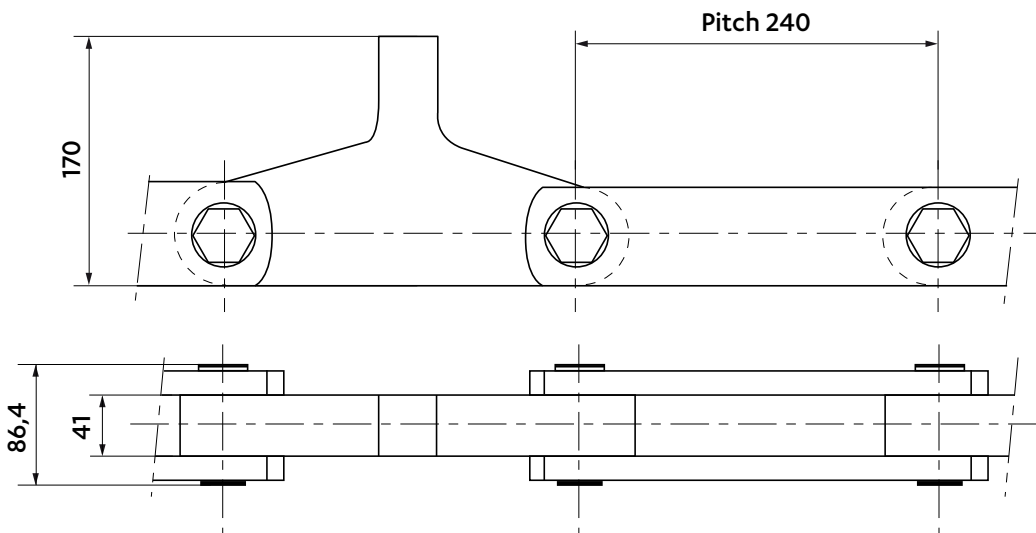


Dimensions in mm

PUSHING CHAINS

Block chain with fixed solid pushers

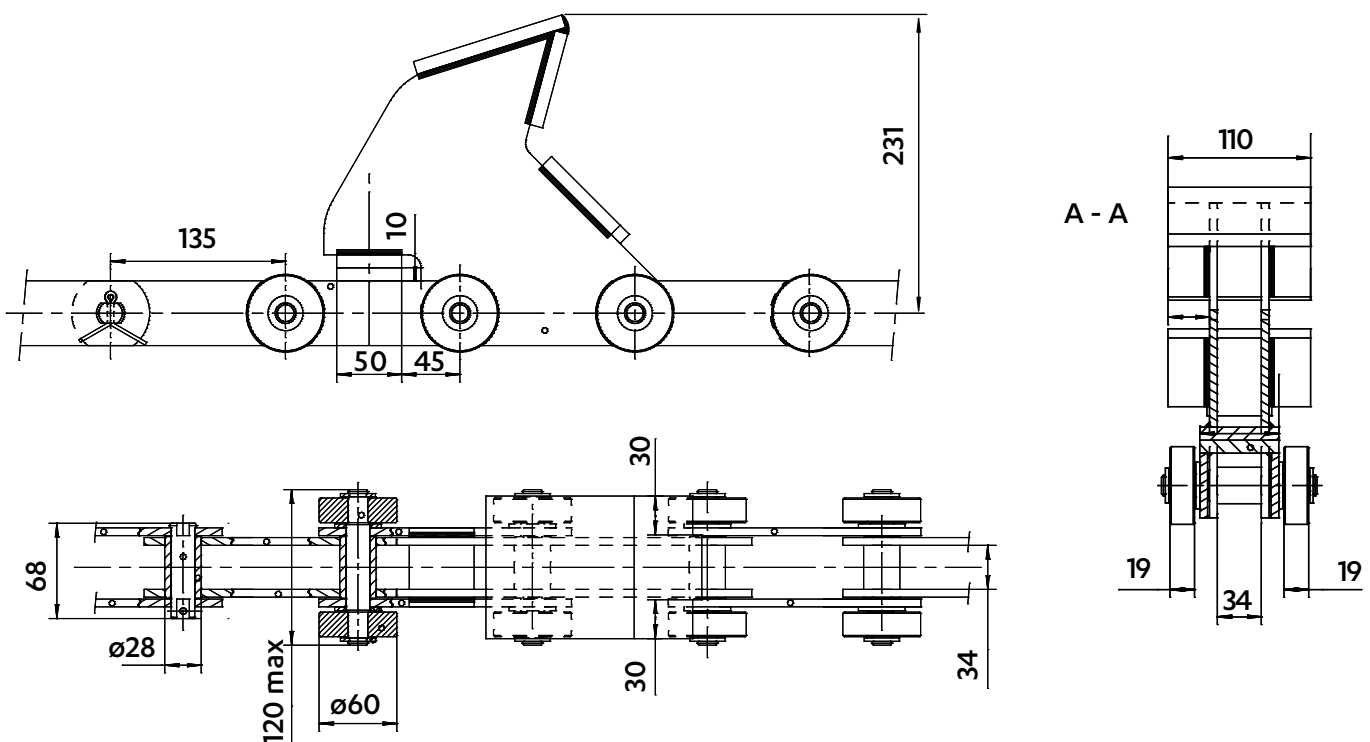
5280-01
Breaking load : 630 kN



CHAIN FOR TUBE ELEVATOR

Chain fitted with extended pins with guiding wheels and flanged plates for tube conveying; their load being spread over several chains.

5707-13
Breaking load : 350 kN



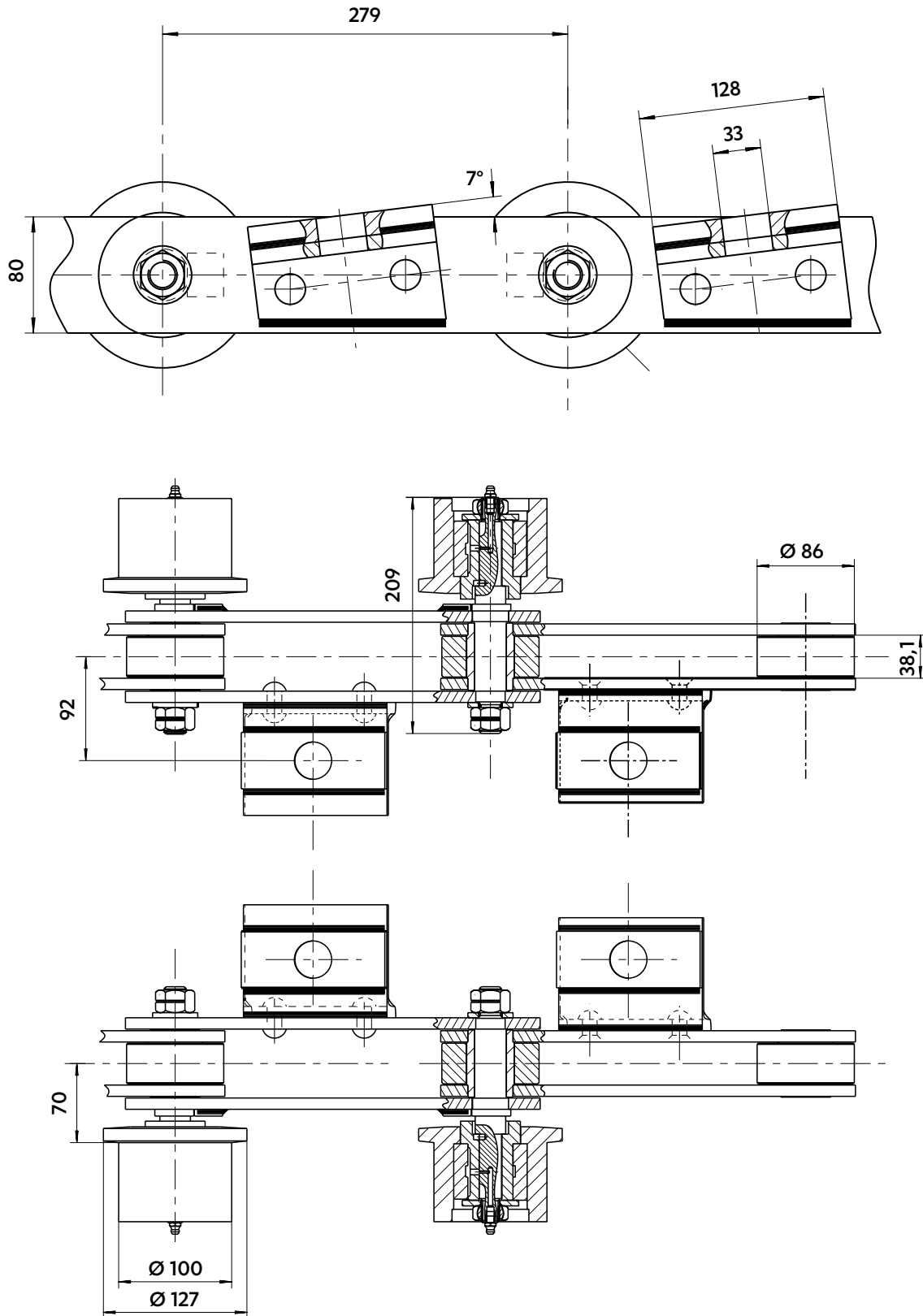
CHAINS FOR THE STEEL INDUSTRY

Dimensions in mm

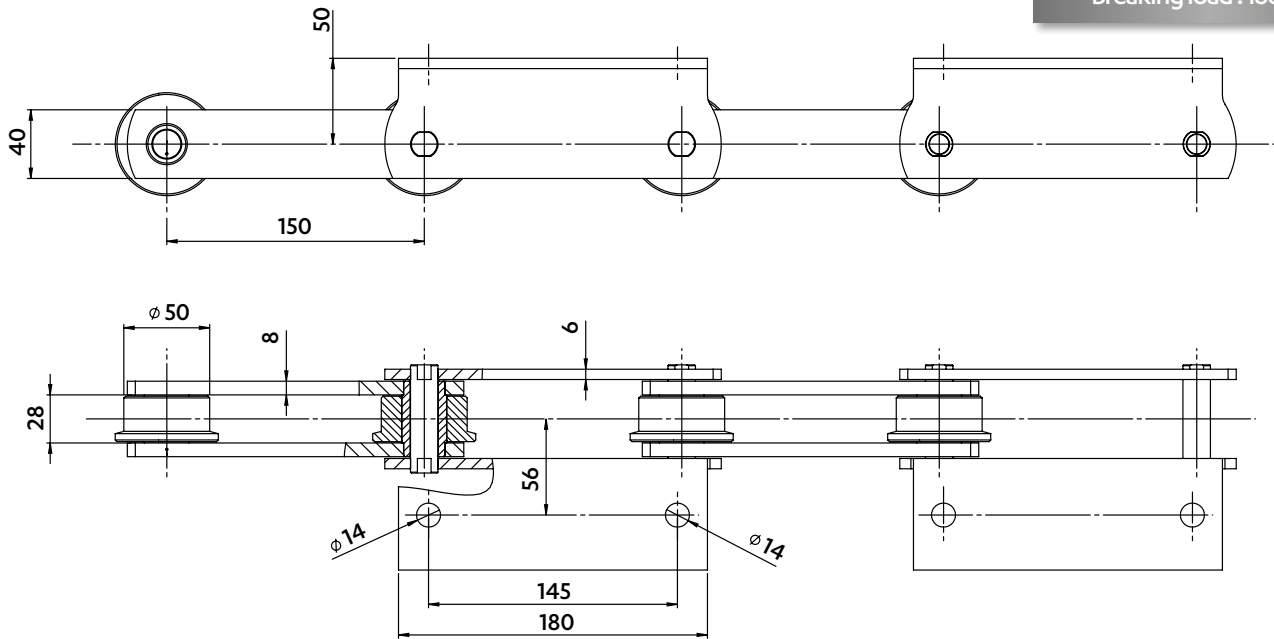
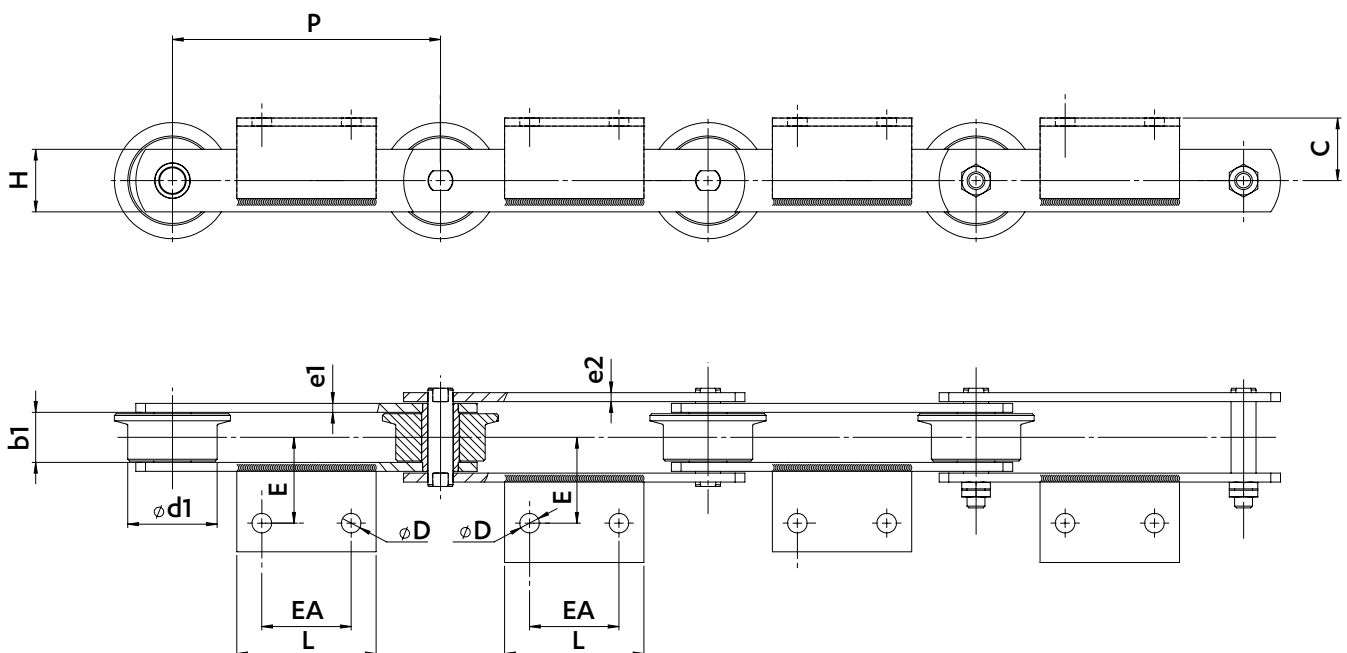
TRANSPORT OF INGOLT MOULD

5851-01

Breaking load : 350 kN



Dimensions in mm

TRANSPORT OF INGOLT MOULD
5461-17
 Breaking load : 180 kN

CHAIN FOR INGOLT MOULD


Chain ref	Pitch P	Width between inner plates b1	Plates height H	Inner plates thickness e1	Outer plates thickness e2	Attachments					Wheel Ø d1	Min. breaking load kN			
						C	Ø D	L	E	EA					
5461-06			40	6	6							180			
5461-65	150	28	35	5	5	35	11	78	48	50	50	120			
5421-74			35	5	5							80	54	40	80
5408-71	180	29	40	6	6										

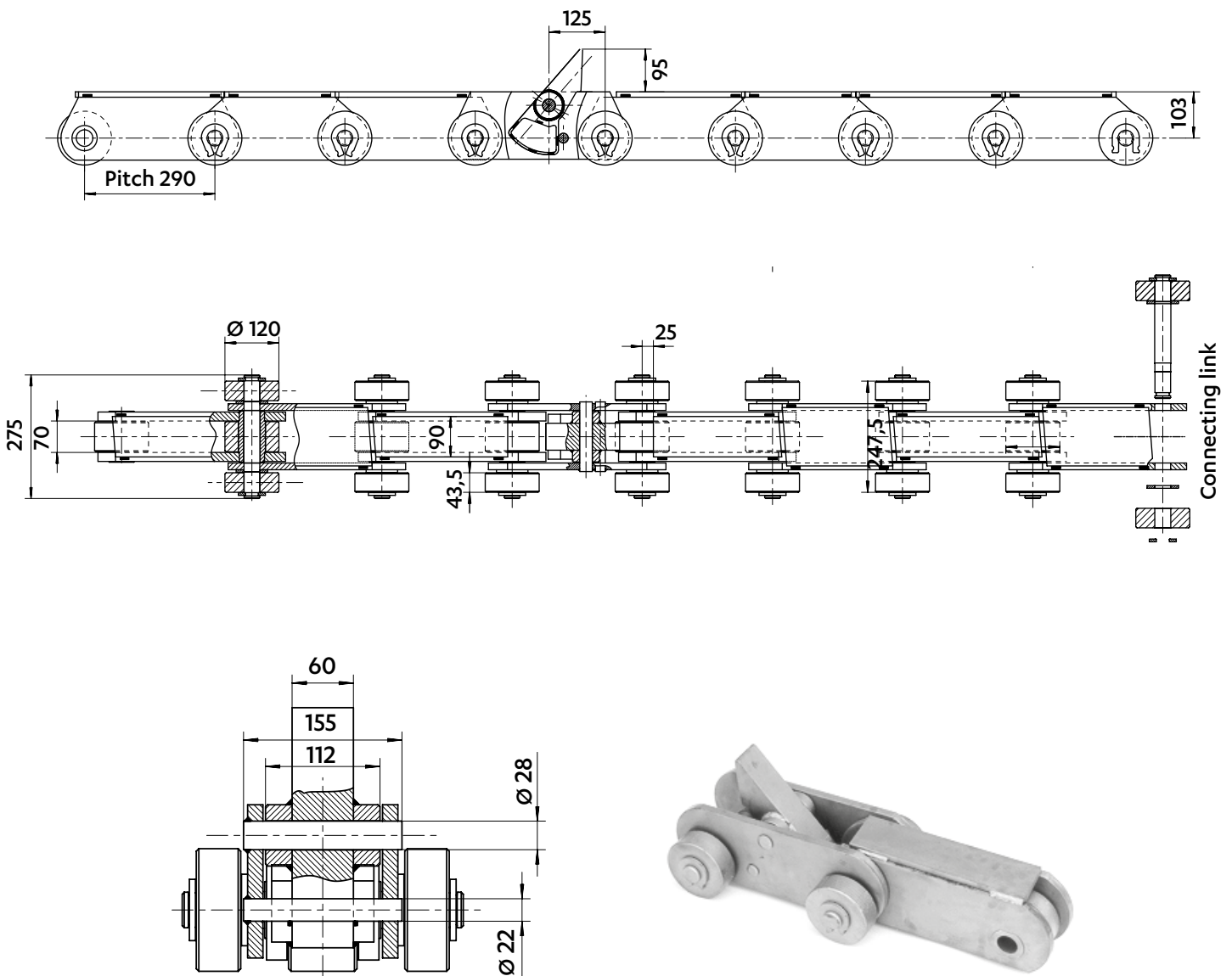
CHAINS FOR THE STEEL INDUSTRY

Dimensions in mm

CHAIN FOR TRANSPORT OF HOT BILLETS INTO A COOLER

5837-02
Breaking load : 1300 kN

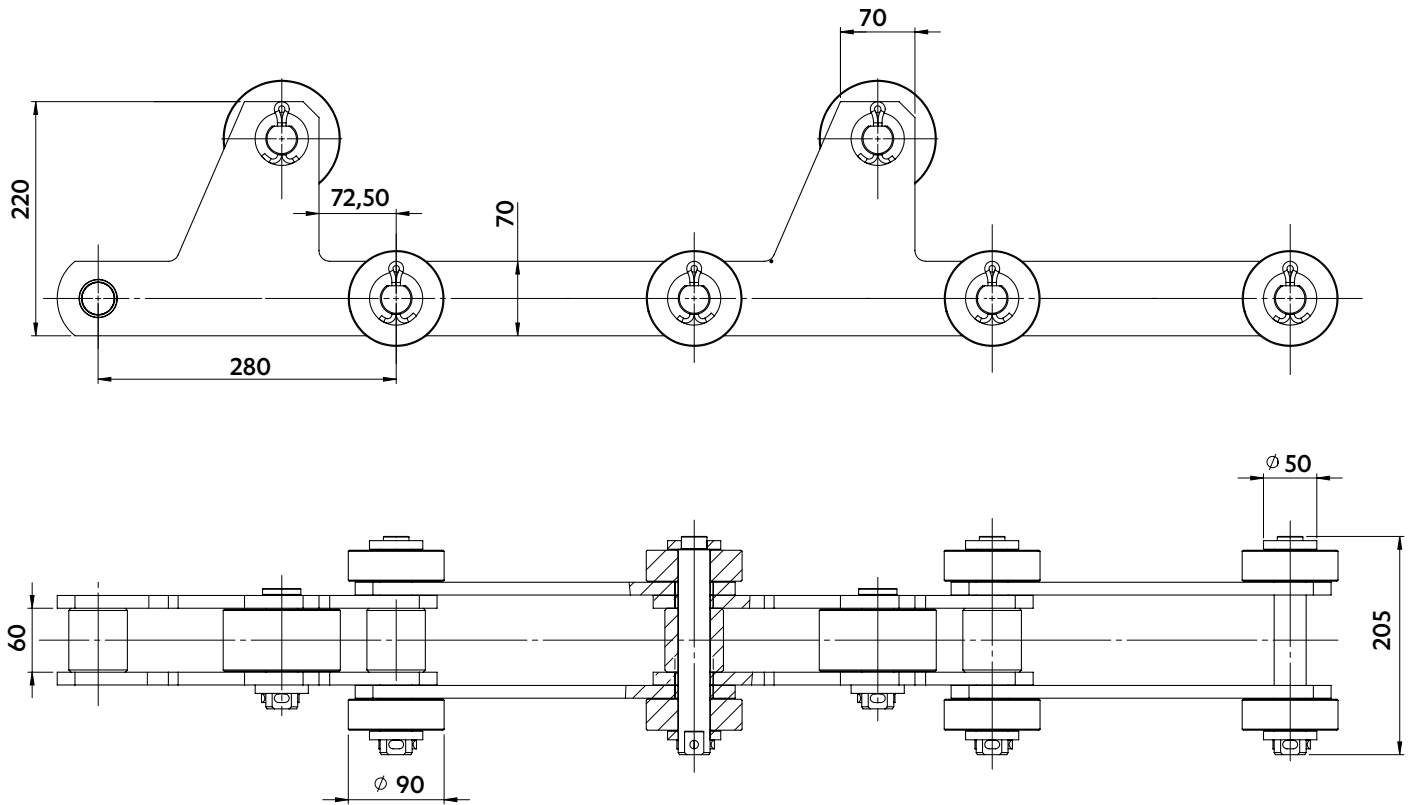
Chain equipped with extended pins with carrying wheels to support heavy loads (88T on 6 chains).
The chain is made of deep link plates, bridges and tilting blocks.



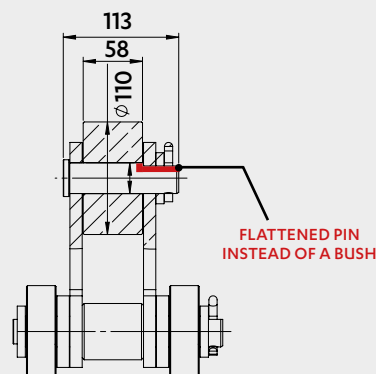
Dimensions in mm

CHAIN FOR COOLER

5851-06



REMOVAL OF BUSHES & FLATTENED PINS



- Wheel continuously rolling
- Improved rolling resistance pin/wheel
- Enhanced service life of the chain



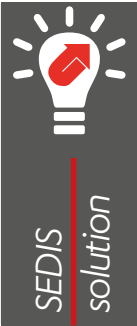
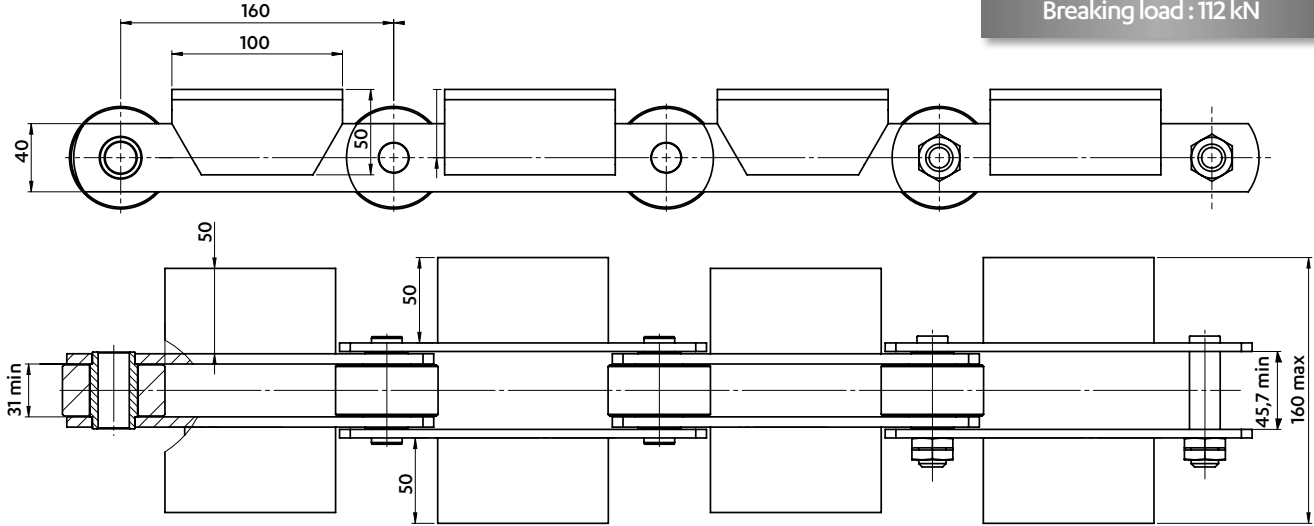
CHAINS FOR THE STEEL INDUSTRY

Dimensions in mm

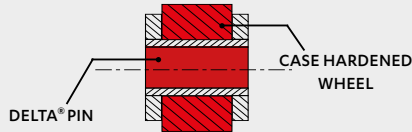
CHAINS FOR ANODES TRANSPORT

5195-57

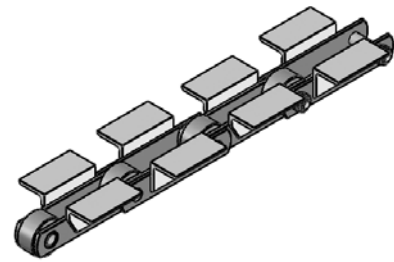
Breaking load : 112 kN



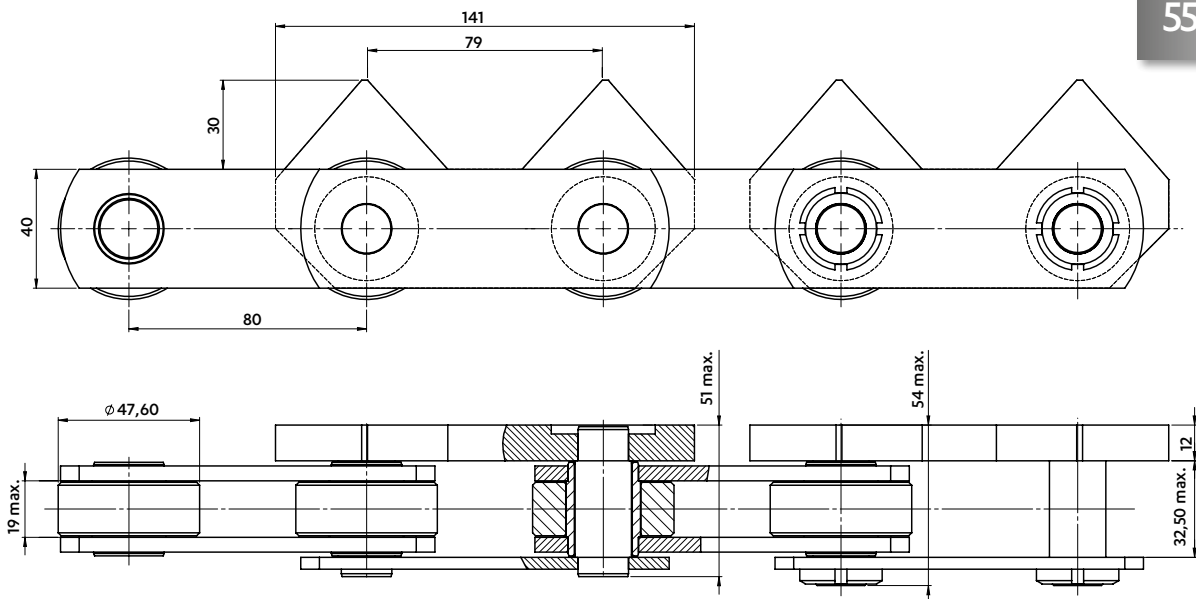
DELTA® PINS,
CASE-HARDENED BUSHES & WHEELS



- Increased wear resistance
- Enhanced service life of the chain



5504-71



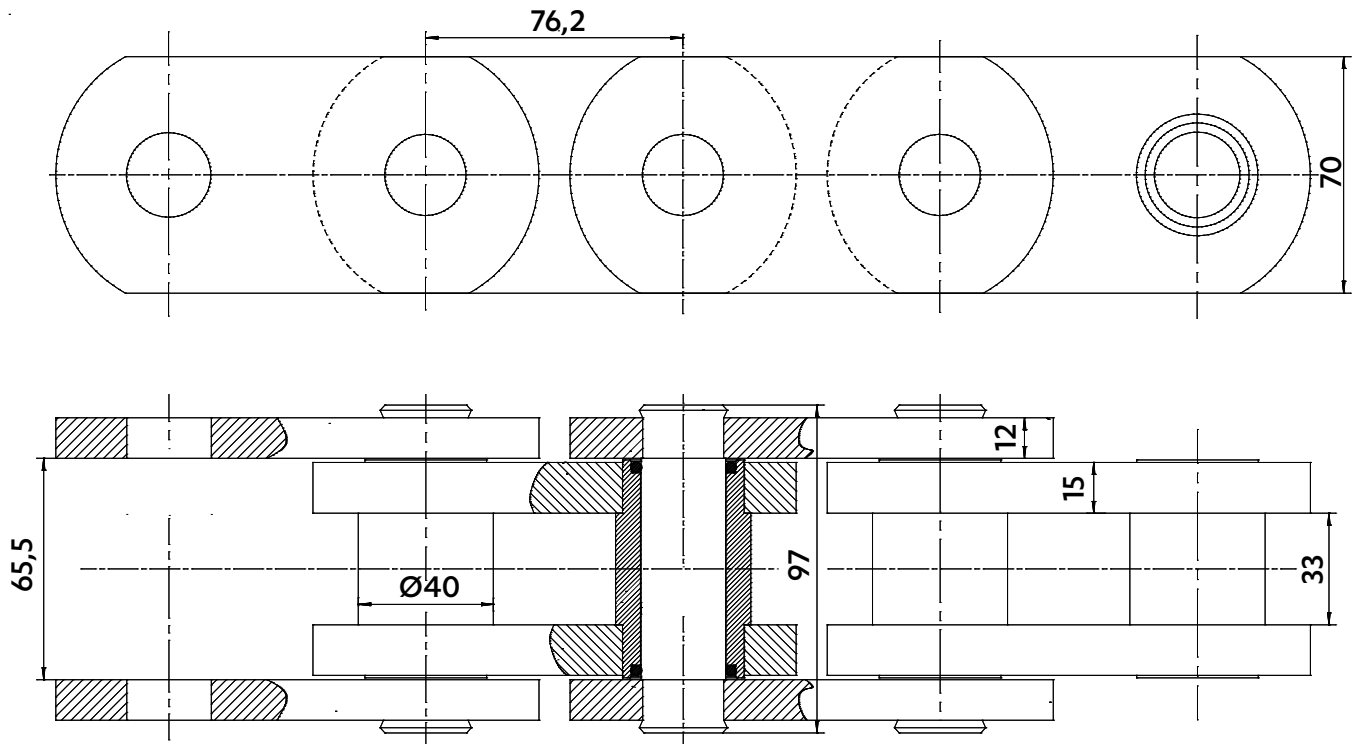
DELTA® ARTICULATION

- Increased wear resistance
- Service life of the chain **x3** (compared to a standard case-hardened articulation)

Dimensions in mm

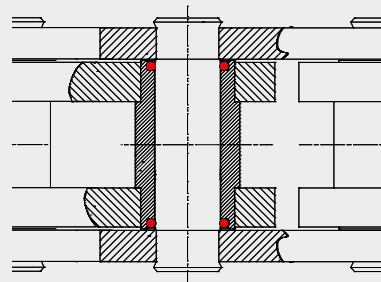
CHAIN FOR SKIP

5379-29



SEDIS solution

SEALS



- Seals the articulation from outside
- Prevents maintenance when it is impossible
- Supplied lubricated