

CHAINS FOR THEME PARKS

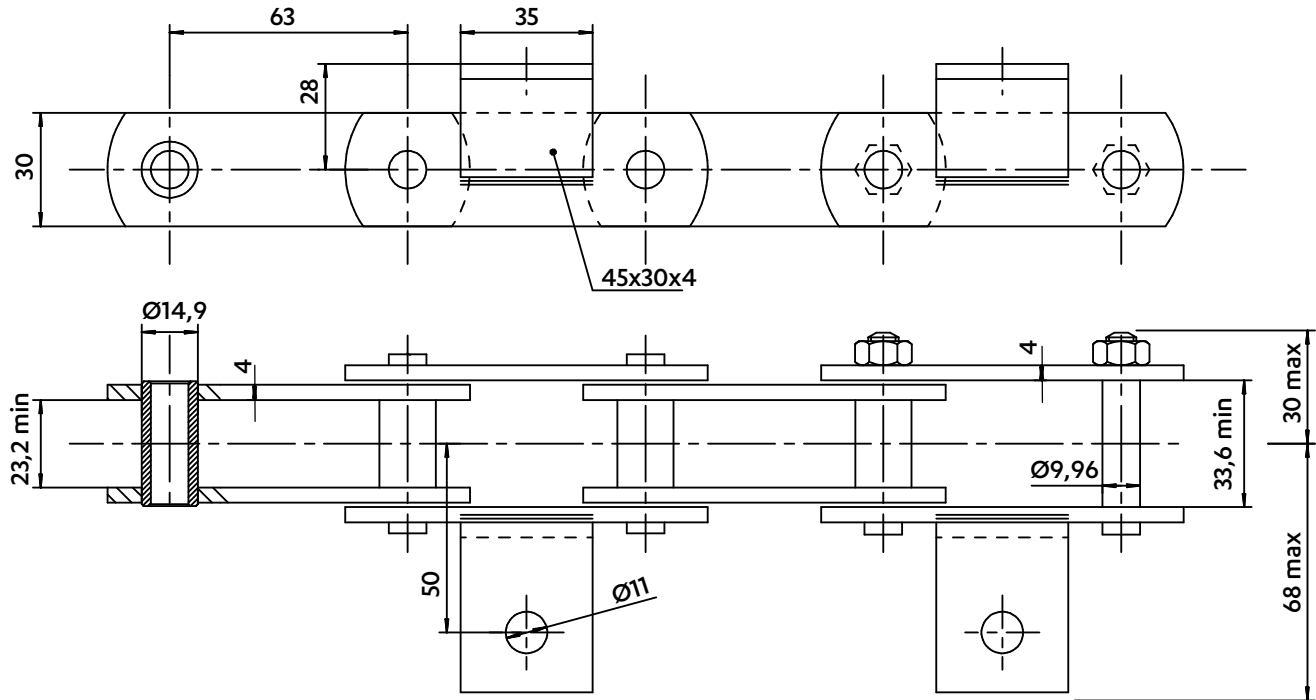


Dimensions in mm

CHAINS FOR RIDES

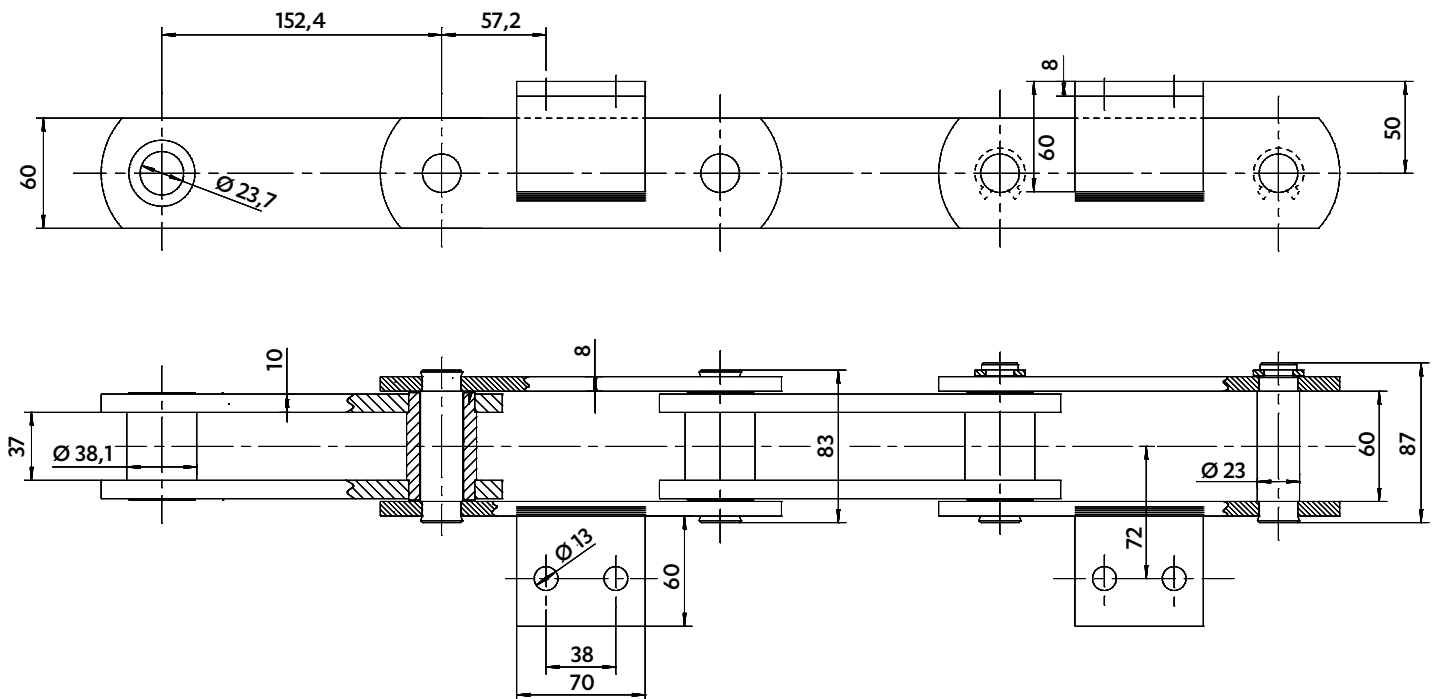
5325-61

Breaking load : 65 kN



5617-93

Breaking load : 300 kN

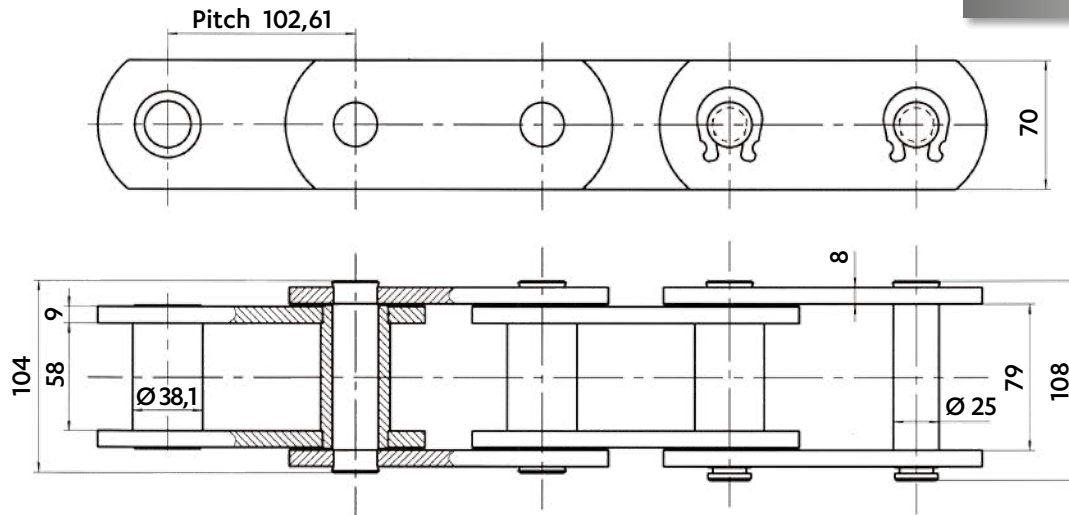


Dimensions in mm

CHAIN FOR RIDE

5903-01

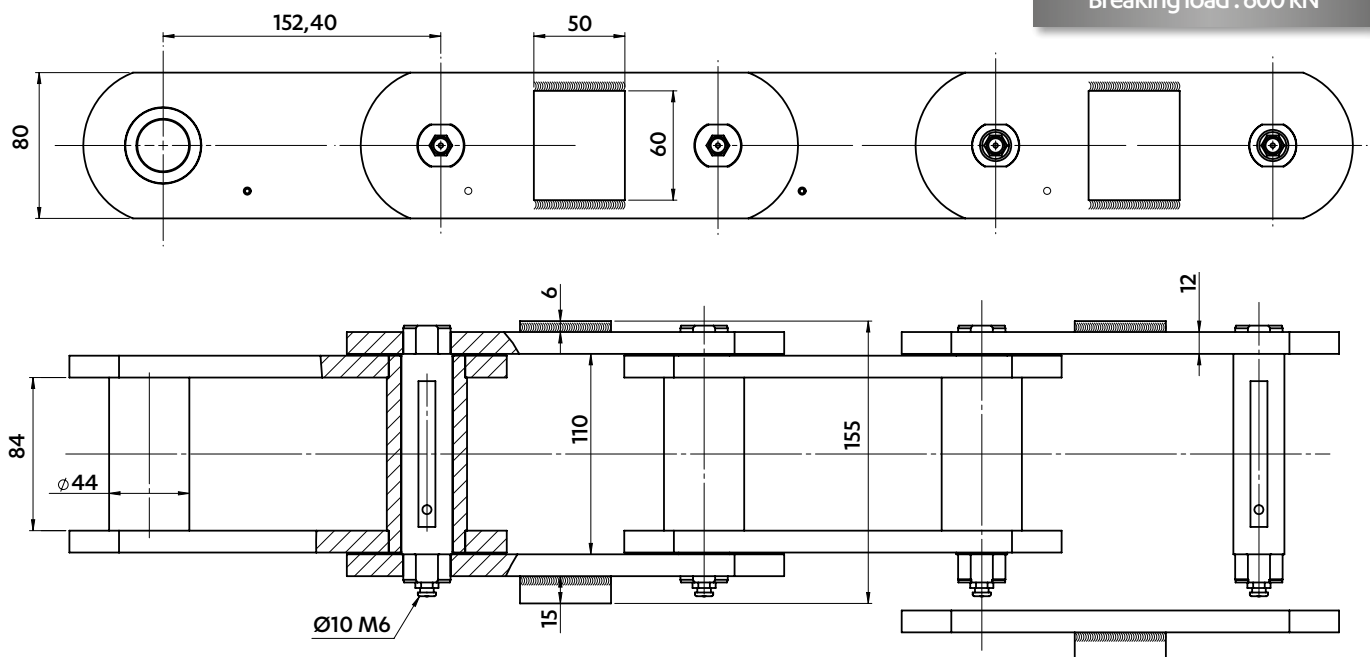
Breaking load : 336 kN



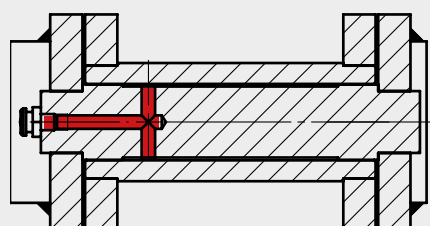
CHAIN FOR WATER RIDE

5977-07

Breaking load : 600 kN



AXIAL GREASING



- Lubricates the articulation from inside
- Prevents maintenance
- Enhances the service life of the chain