

WOOD INDUSTRY

Our Alpha & Delta ranges p 3

TRANSMISSION CHAINS

Transport of wood blocks p 4

Conveyor of wood blocks p 4

Transport of logs p 5

Transport of wood planks p 6

CONVEYOR CHAINS

Solid pin chains - M & FV series p 7

Hollow pin chains p 8

Mass conveyor p 8

Wheels & sprockets p 8

Transport of logs p 9

Barker p 9

Inclined conveyor of logs p 9-10

Transport of wood panelling p 10

Transport of barks p 11

Wood unloader p 11

Dryer p 11

DELTA® CHAINS

For severe working conditions

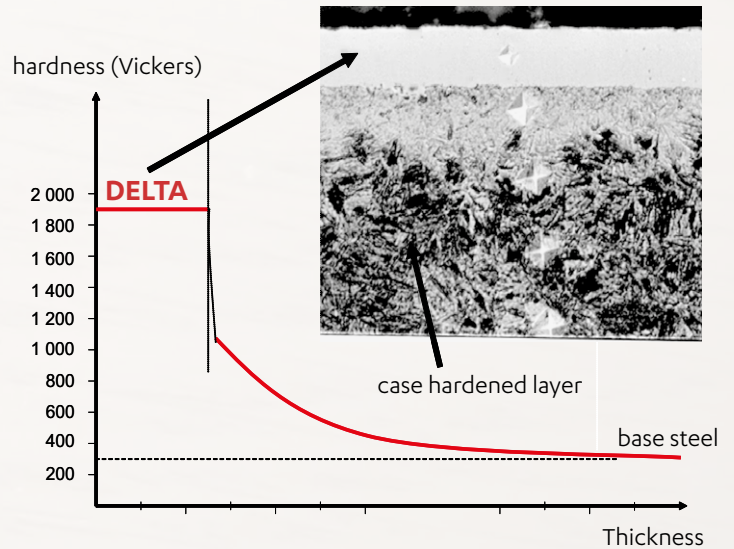


Delta® HR

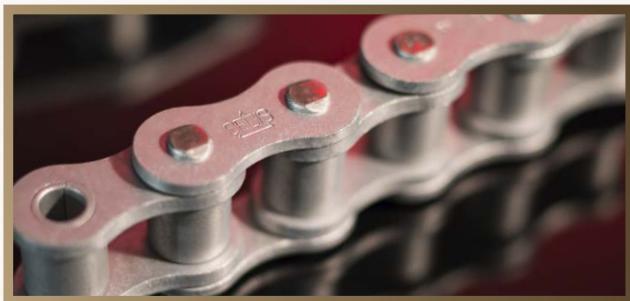


- > For abrasive environments, high speed, hazardous maintenance...
- > Thanks to a SEDIS exclusive thermochemical treatment, Delta® HR chains articulations reach unequalled hardness (around 1900 HV)
- > Control of the friction coefficient
- > Longest service life in abrasive environment
- > Chain treated for high resistance
- > Increased breaking loads

WEAR RESISTANCE



Delta® TITANIUM 2

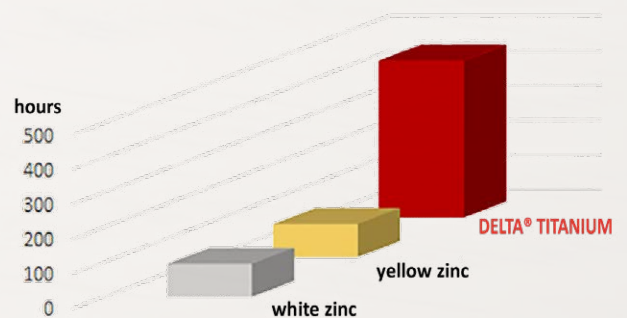


TREATMENT 100% GUARANTEED WITHOUT CHROME VI

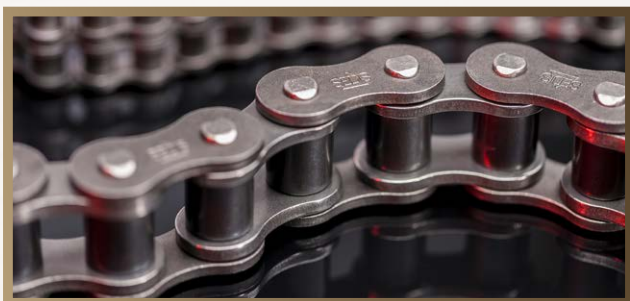
- > An anti-wear and anti-corrosion chain : **Delta TITANIUM 2**
- > High mechanical resistance : No embrittlement by Hydrogen
- > Certified WITHOUT HEAVY METALS conforming with the European legislation (directives 2000/53/CE and 2002/95/CE)

CORROSION RESISTANCE

Cathodic protection of the metal parts of the chain



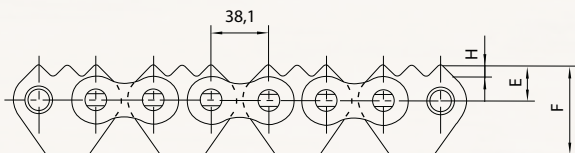
ALPHA Premium chains



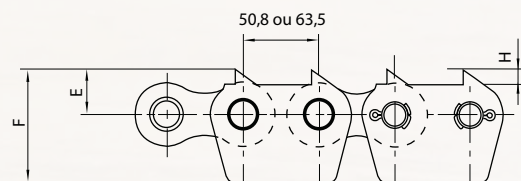
- > **SEDIS ALPHA Premium chains** for demanding applications as the drive of roller conveyors and of planks transfers.

Transport of wood blocks

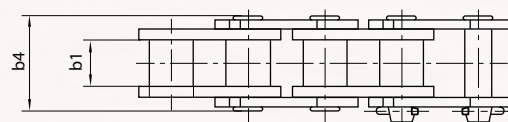
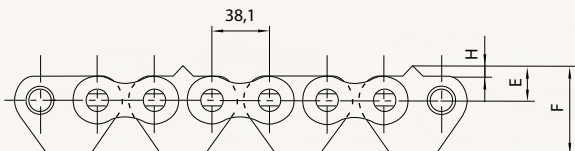
Type 1



Type 3



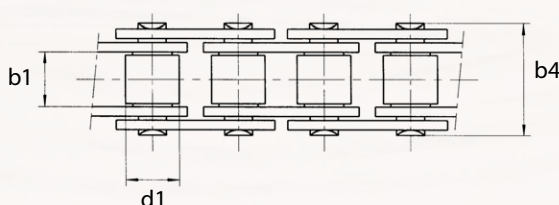
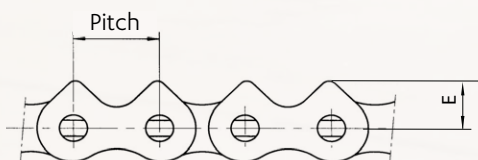
Type 2



Dimensions in mm

Reference	Pitch P	Roller diameter d1	Chain width		Type	E	H	Min. breaking load kN
			Between inner plates b1	Over the pins b4				
5289-36	38,1	25,4	25,4	53,1	1	23,4	7,4	180
5289-55	38,1	25,4	25,4	53,1	2	23,4	7,4	180
5281-24	50,8	29,21	30,95	63,6	3	30	8,9	270
5281-26	50,8	29,21	17,02	49,7	3	30	8,9	270
5281-27	50,8	29,21	19,56	52,2	3	30	8,9	270
5381-17	63,5	39,37	38,1	84,9	3	37,3	8,9	270

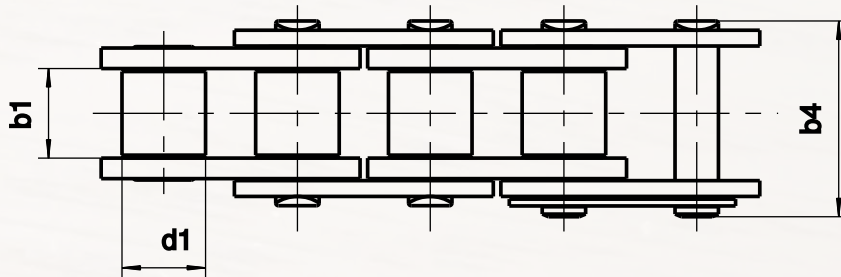
Conveyor of wood blocks



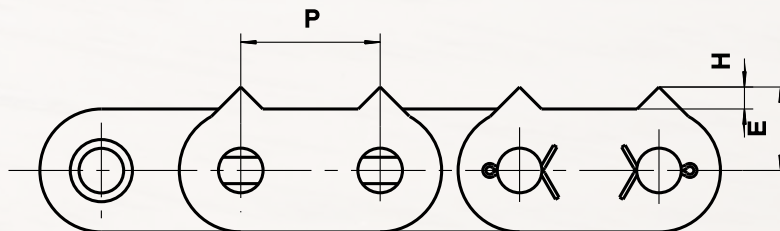
Dimensions in mm

Reference	Pitch P	Roller dia- meter d1	Chain width		E	Min. breaking load kN
			Between inner plates b1	Over the pins b4		
5288-57	25,4	15,88	17,02	35,1	14,5	66
5374-01	31,75	19,05	19,42	40,5	18,1	105
5281-94	50,8	29,21	30,95	70,1	39,95	270

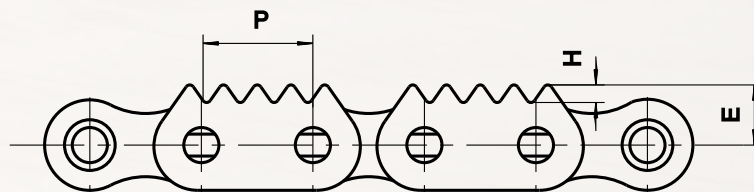
Transport of wood logs



Type 1



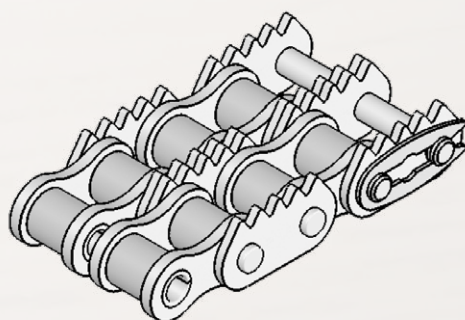
Type 2



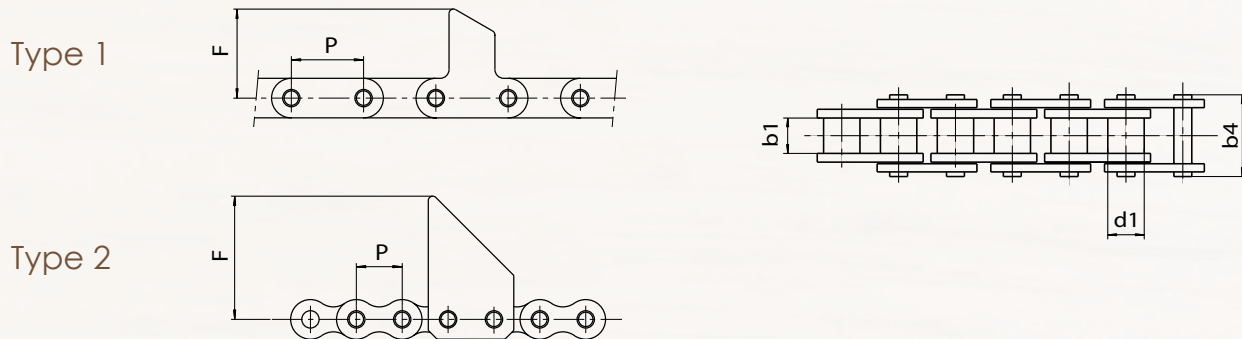
Dimensions in mm

Reference	Pitch	Roller diameter	Chain width		Type	E	H	Min. breaking load kN
			Between inner plates	Over the pins				
			b1	b4				
5288-99*	25,4	15,88	17,02	35,1	2	13,7	4	66
5374-27	31,75	19,05	19,56	40,5	1	19	5	105

* Type 2 exists in duplex (5121-04) and triplex (5121-05)



Transport of wood planks



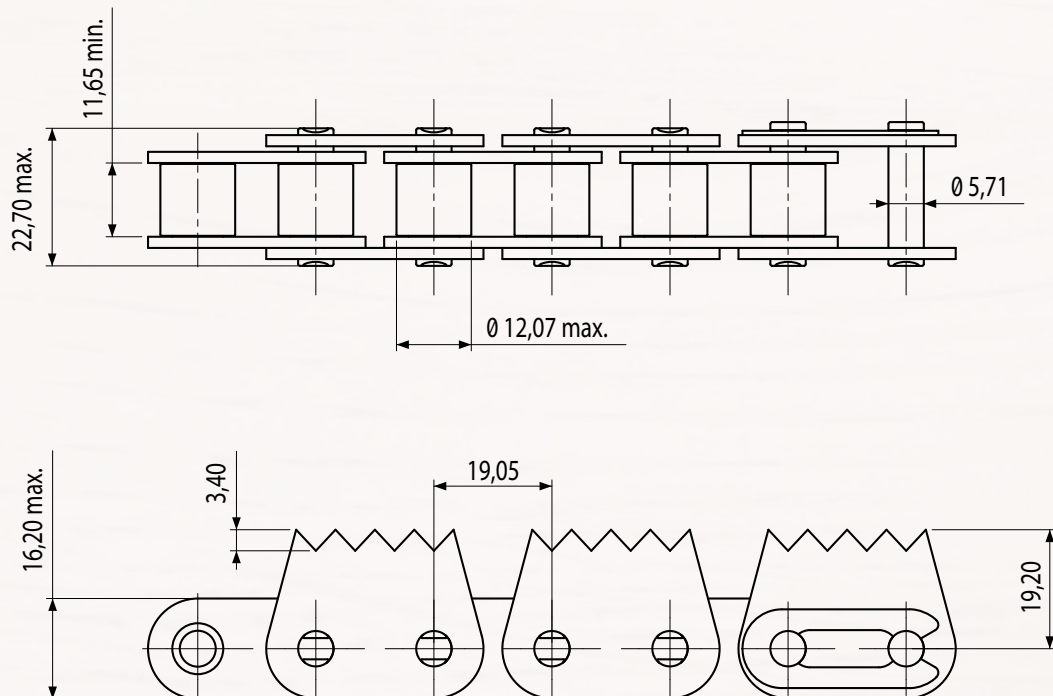
Dimensions in mm

Reference	Type	Pitch P	Roller diameter d1	Chain width		Attachment F	Min. breaking load kN
				Between inner plates b1	Over the pins b4		
Plaques droites							
5310-09	1	63,5	25,4	25,4	55,1	76	180
5310-10	1	63,5	25,4	25,4	55,1	134	180
Plaques évidées							
5289-20	2	38,1	25,4	25,4	53,1	76	180

5247-17

Breaking load: 30,5 kN

Pitch : 19,05 mm



ISO/BS conveyor chains

Solid pin conveyor chains - M & FV series

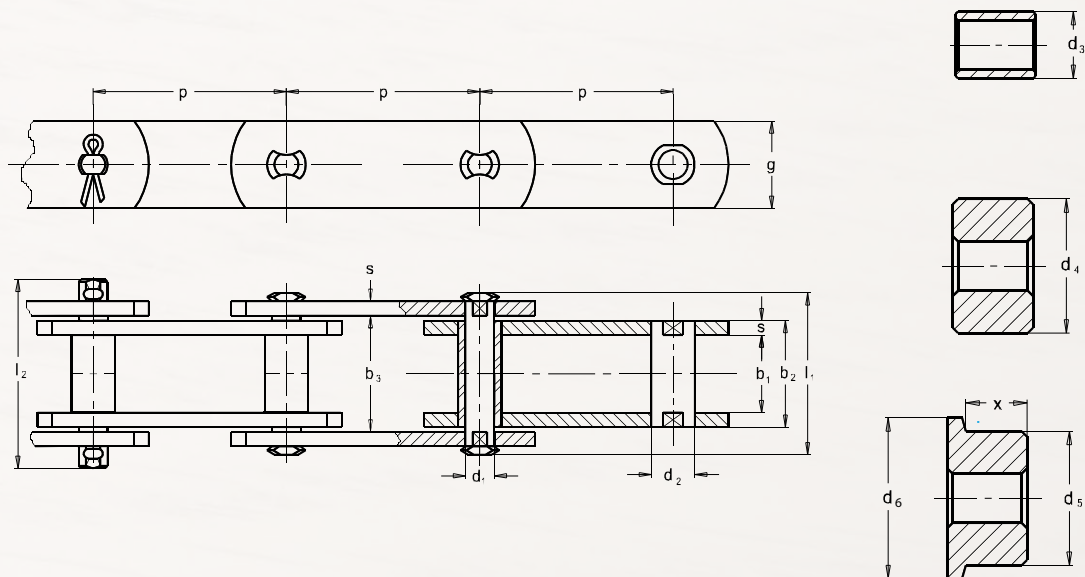
The chains can be supplied with :

- bushes,
- rollers,
- plain wheels or flanged wheels

M & FV series chains are supplied:

- with flattened pins and bushes
- with flattened and welded pins and bushes

Deep link side plates version possible depending on the reference



To see
the complete M & FV
range for wood industry:

Consult our catalogue
New conveyor offering
2013 !

FV Type 1*	FV Type 2*	P								b1	b2	b3	d1	d2	d3	d4	d5	d6	x	l1	l2	g	s	Rr/Bl
		mm	mm	mm	mm	mm	mm	mm	mm	mm	mm	mm	mm	mm	mm	mm	mm	mm	mm	mm	mm	mm	mm	mm
FV 63	FVS 63	50	63	80	100	125	160	200	-	22	30,5	31,0	12	18	26	40	50	60	15,5	46	55	30	4	63
FV 90	FVS 90	50	63	80	100	125	160	200	250	25	35,5	36,0	14	20	30	48	63	73	18,5	53	62	35	5	90
FV 112	FVS 112	80	100	125	160	200	250	315	-	30	42,5	43,0	16	22	32	55	72	87	22,0	63	72	40	6	112
FV 140	FVS 140	80	100	125	160	200	250	315	400	35	47,5	48,0	18	26	36	60	80	95	26,0	68	80	45	6	140
FV 180	FVS 180	-	100	125	160	200	250	315	400	45	61,5	62,5	20	30	42	70	100	120	35,0	86	100	50	8	180
FV 250	FVS 250	-	-	125	160	200	250	315	400	55	72,0	73,0	26	36	50	80	125	145	42,0	98	114	60	8	250

M Type 1*	M Type 2*	P								b1	b2	b3	d1	d2	d3	d4	d5	x	l1	l2	g	s	Rr/Bl
		mm	mm	mm	mm	mm	mm	mm	mm	mm	mm	mm	mm	mm	mm	mm	mm	mm	mm	mm	mm	mm	mm
MV 56	MVS 56	63	80	100	125	160	200	250	24	33	33,3	10,0	15,0	21,0	42	50	50	17,5	52	72	30	4,0	56
MV 80	MVS 80	80	100	125	160	200	250	315	28	39	39,4	12,0	18,0	25,0	50	60	60	20,5	62	86	35	5,0	80
MV 112	MVS 112	80	100	125	160	200	250	315	32	45	45,5	15,0	21,0	30,0	60	70	70	23,0	73	101	40	6,0	112
MV 160	MVS 160	100	125	160	200	250	315	400	37	52	52,5	18,0	25,0	36,0	70	85	85	26,5	85	117	50	7,0	160
MV 224	MVS 224	125	160	200	250	315	400	500	43	60	60,6	21,0	30,0	42,0	85	100	100	31,0	98	134	60	8,0	224

* TYPE 1: Chains with flattened pins and bushes for the wood industry

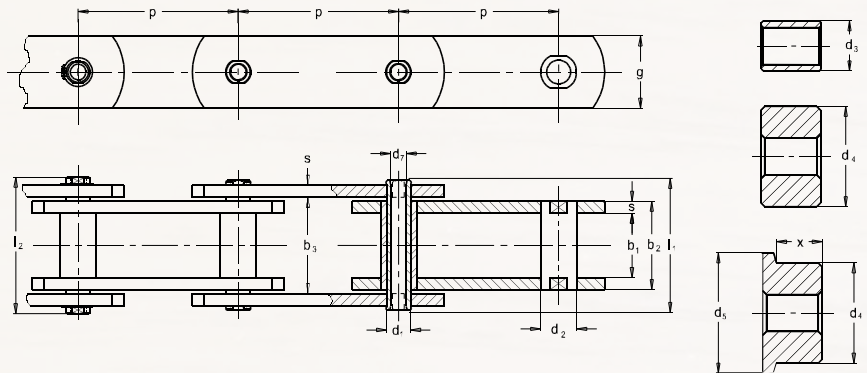
* TYPE 2: Chains with flattened and welded pins and bushes for the wood industry

Hollow pin conveyor chains

The chains can be supplied with :

- bushes,
- rollers,
- plain wheels or flanged wheels

They are supplied with a spring clip connecting link (N° 206)



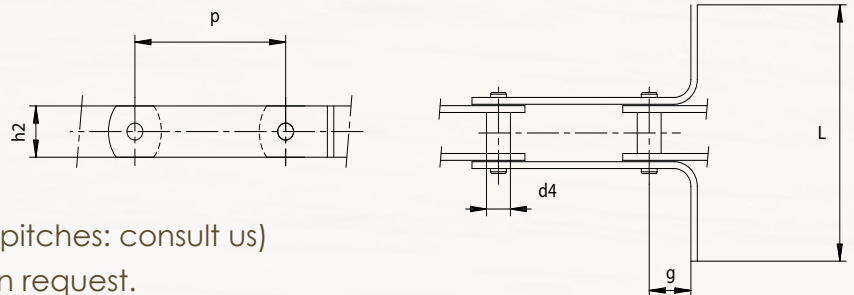
Ref*	P								b1	b2	b3	d1	d2	d3	d4	d5	d7	x	l1	l2	g	s	Rr/Bl
	mm																						
MVC 56	63	80	100	125	160	200	250	24	33	33,3	15,5	21,0	30,0	50	60	10,2	17,5	48	54	35	4,0	56	
MVC 112	80	100	125	160	200	250	315	32	45	45,5	22,0	29,0	42,0	70	85	14,3	23,0	67	73	50	6,0	112	
MVC 224	125	160	200	250	315	400	500	43	60	60,6	31,0	41,0	60,0	100	120	20,3	31,0	90	96	70	8,0	224	

* Chains with flattened pins and bushes for the wood industry

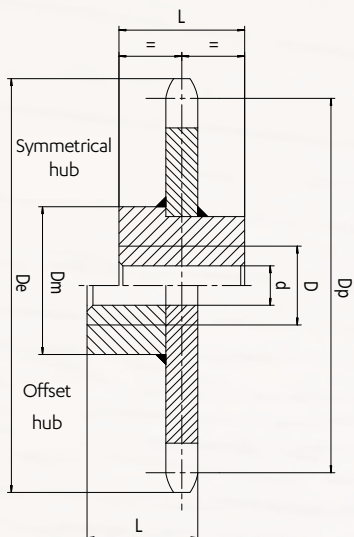
Mass conveyor

Scraper chains

- Possible in BS and ISO
- With pitches from 50 to 175mm (other pitches: consult us)
- Scraper attachments can be drilled on request.
- Possible to make scrapers with different widths "L".

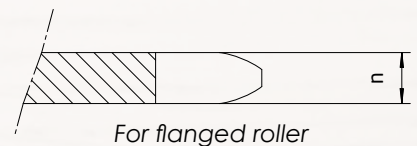
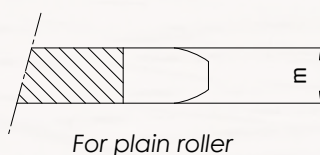


Wheels and sprockets



Wheels for bush and roller chains have carved teeth. Our standard wheels have offset hub, but it is possible to make them with a symmetrical hub.

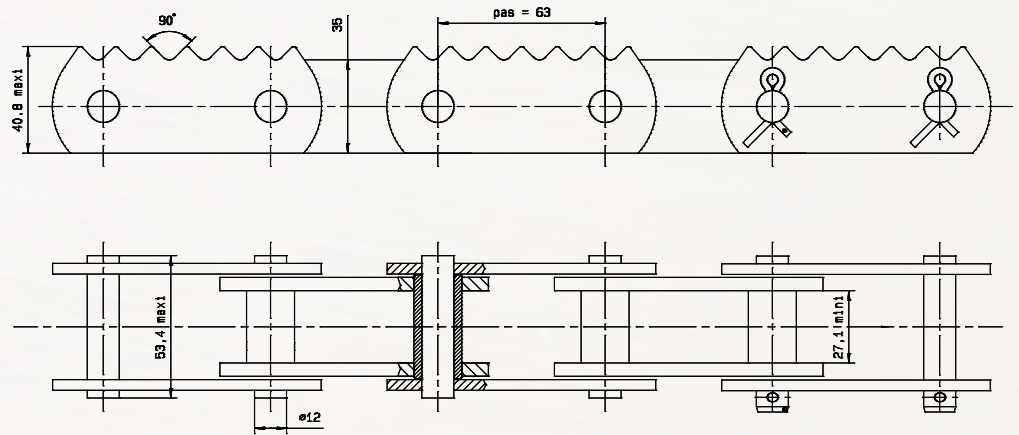
- We make on request:
- sprockets in two or several parts
 - Treatments on teeth



Transport of logs

5450 - 09

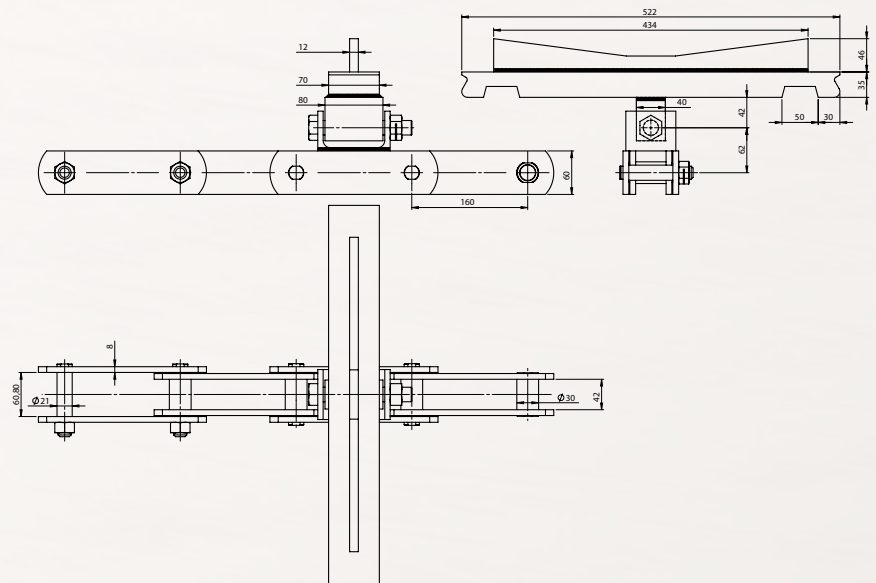
Breaking load: 80 kN
Pitch: 63mm



Barker

5326-96

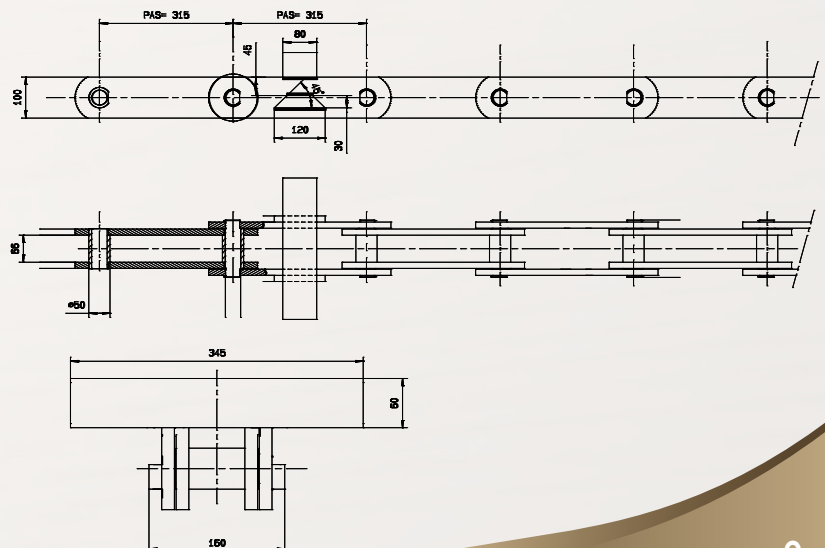
Breaking load: 224 kN
Pitch: 160mm



Inclined conveyor of logs

5478 - 04

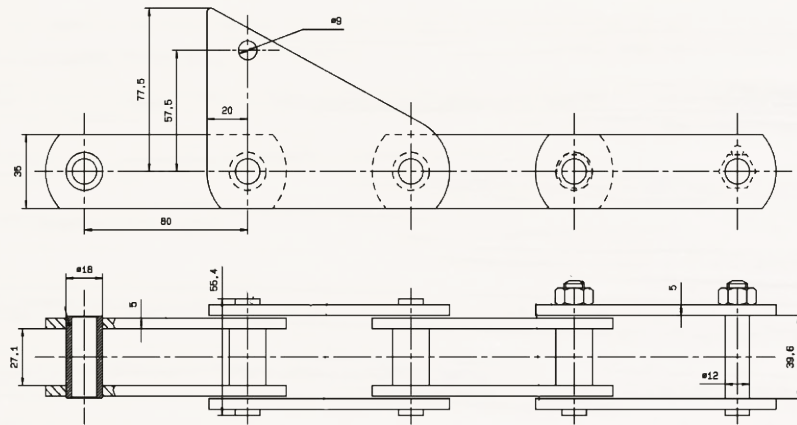
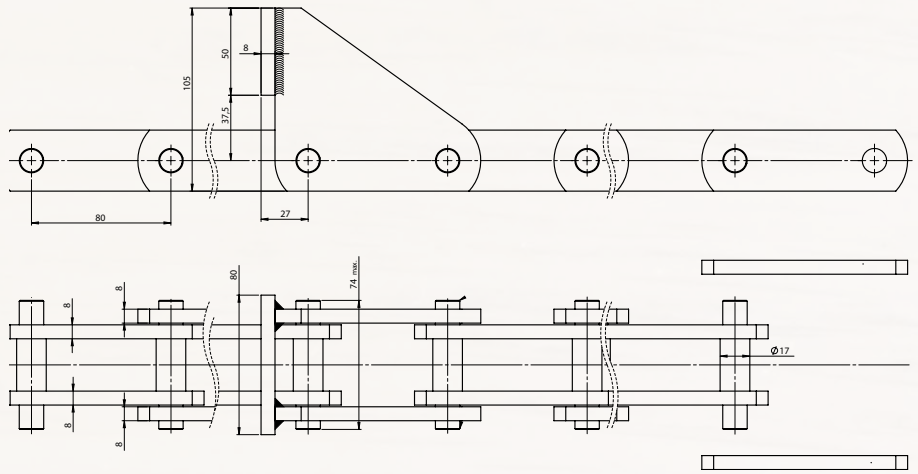
Breaking load: 1000 kN
Pitch: 315mm



Inclined conveyor of logs

5504 - 66

Pitch: 80mm



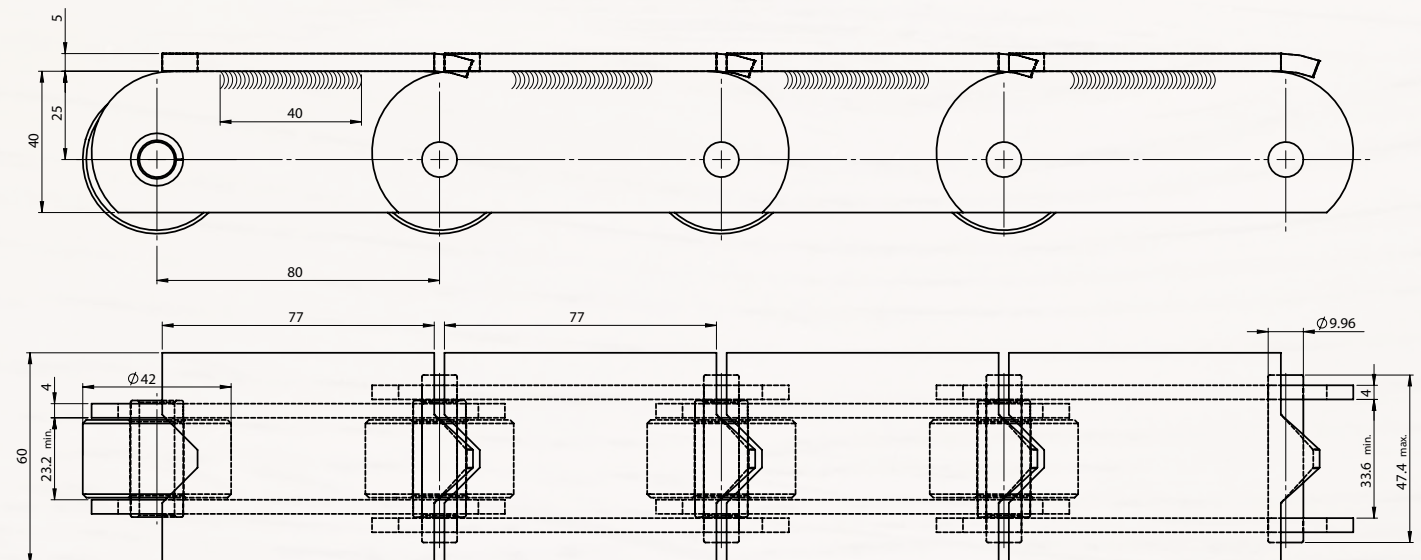
5321 -62

Pitch: 80mm

Transport of wood panelling

5369 -41

Pitch: 80mm



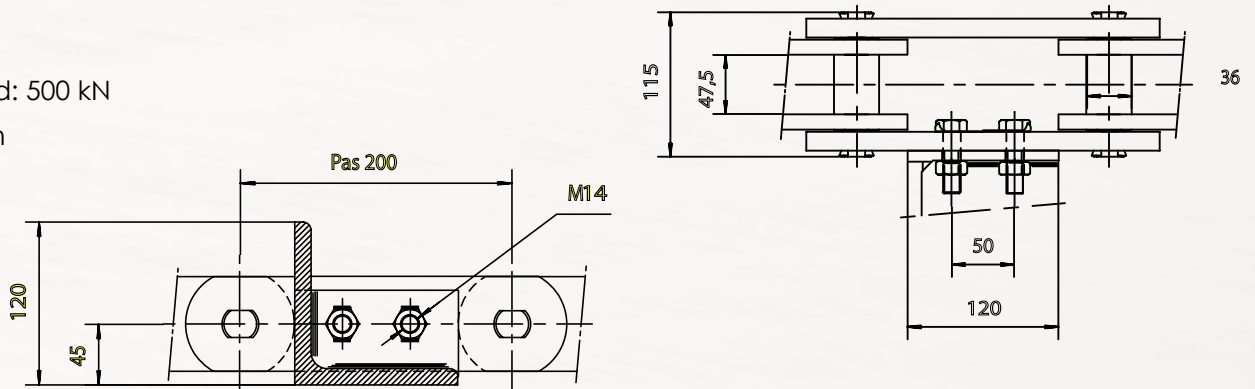
Transport of barks

Two-chain apron with scrapers

5308-45

Breaking load: 500 kN

Pitch: 200mm

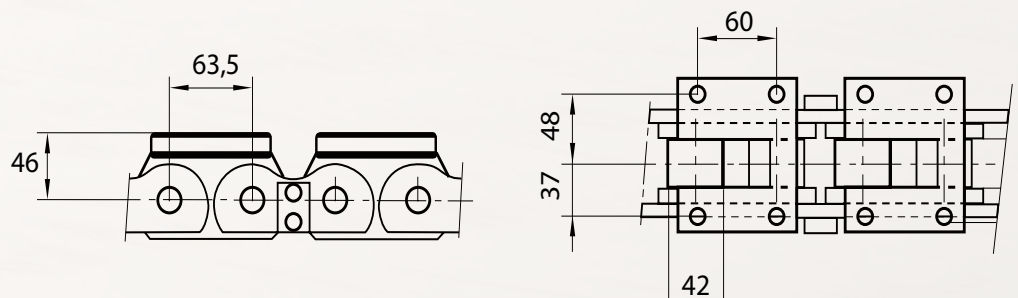


Wood unloader

5310 - 01

Breaking load: 333 kN

Pitch: 63.5mm



Dryer

5728 - 01

Breaking load: 62 kN

Pitch: 65mm

