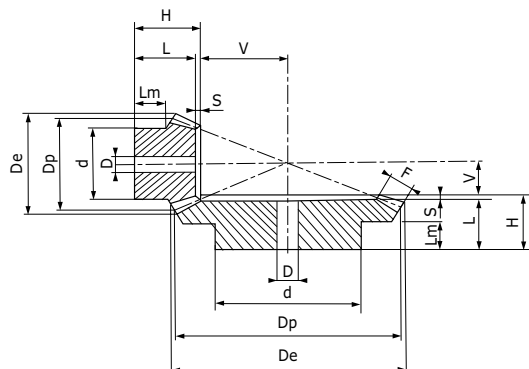


**COUPLES CONIQUES DENTURE DROITE - TYPE A**
**MATIÈRE :**

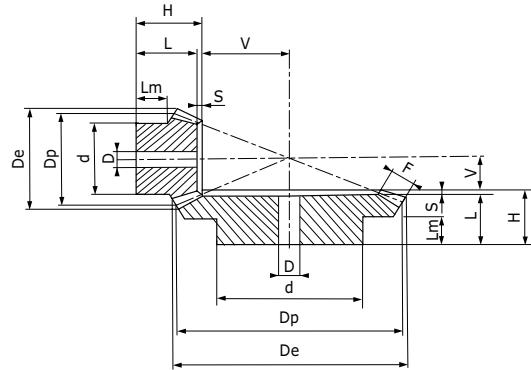
Acier : C43 UNI 7847

ANGLE DE PRESSION : 20°



| RAPPORT 1/1 |             |         |       |       |      |    |      |    |       |      |      |     |      |
|-------------|-------------|---------|-------|-------|------|----|------|----|-------|------|------|-----|------|
| Module      | Référence   | Z       | De    | Dp    | H    | F  | d    | D  | V     | L    | Lm   | S   | Kg   |
| 1,5         | CCA 15 1616 | 16 / 16 | 26,1  | 24,0  | 18,9 | 6  | 20,3 | 8  | 7,10  | 19,9 | 12   | 2   | 0,03 |
|             | CCA 15 2020 | 20 / 20 | 32,1  | 30,0  | 20,0 | 10 | 22   | 10 | 7,40  | 18   | 8,5  | 2   | 0,05 |
|             | CCA 15 2525 | 25 / 25 | 39,6  | 37,5  | 23,0 | 10 | 28   | 10 | 11,09 | 21   | 12   | 2   | 0,10 |
|             | CCA 15 2222 | 22 / 22 | 35,1  | 33,0  | 20,0 | 10 | 25   | 10 | 10,20 | 18   | 9,7  | 2   | 0,07 |
| 2           | CCA 15 3030 | 30 / 30 | 47,1  | 45,0  | 25,0 | 12 | 30   | 12 | 13,35 | 22,5 | 12   | 2,5 | 0,15 |
|             | CCA 20 1616 | 16 / 16 | 34,8  | 32,0  | 23,5 | 8  | 25,3 | 10 | 9,50  | 20,5 | 14   | 3   | 0,06 |
|             | CCA 20 2020 | 20 / 20 | 42,8  | 40,0  | 25,0 | 12 | 32   | 10 | 10,78 | 22   | 12   | 3   | 0,14 |
|             | CCA 20 2222 | 22 / 22 | 46,8  | 44,0  | 25,0 | 12 | 36   | 10 | 12,70 | 22   | 11,7 | 3   | 0,20 |
| 2,5         | CCA 20 2525 | 25 / 25 | 52,8  | 50,0  | 28,0 | 14 | 40   | 12 | 14,28 | 25   | 12,3 | 3   | 0,25 |
|             | CCA 20 3030 | 30 / 30 | 62,8  | 60,0  | 30,0 | 16 | 50   | 12 | 17,78 | 27   | 12,8 | 3   | 0,41 |
|             | CCA 25 1616 | 16 / 16 | 43,5  | 40,0  | 28,1 | 10 | 30,3 | 12 | 11,90 | 25,1 | 15   | 3,5 | 0,13 |
|             | CCA 25 2020 | 20 / 20 | 53,5  | 50,0  | 30,5 | 12 | 40   | 12 | 15,43 | 27   | 16   | 3,5 | 0,27 |
| 3           | CCA 25 2222 | 22 / 22 | 58,5  | 55,0  | 30,5 | 12 | 45   | 12 | 17,80 | 27   | 15,9 | 3,5 | 0,37 |
|             | CCA 25 2525 | 25 / 25 | 66,0  | 62,5  | 33,5 | 15 | 50   | 15 | 19,48 | 30   | 16   | 3,5 | 0,47 |
|             | CCA 25 3030 | 30 / 30 | 78,5  | 75,0  | 35,5 | 18 | 55   | 15 | 23,63 | 32   | 16   | 3,5 | 0,69 |
|             | CCA 30 1616 | 16 / 16 | 52,2  | 48,0  | 31,7 | 12 | 40,3 | 15 | 14,30 | 28   | 18   | 4   | 0,24 |
| 3,5         | CCA 30 2020 | 20 / 20 | 64,2  | 60,0  | 35,0 | 18 | 45   | 15 | 16,00 | 31   | 13,6 | 4   | 0,41 |
|             | CCA 30 2222 | 22 / 22 | 70,2  | 66,0  | 35,0 | 18 | 50   | 15 | 19,00 | 31   | 13   | 4   | 0,53 |
|             | CCA 30 2525 | 25 / 25 | 79,2  | 75,0  | 38,0 | 20 | 55   | 15 | 22,00 | 34   | 16   | 4   | 0,72 |
|             | CCA 30 3030 | 30 / 30 | 94,2  | 90,0  | 40,0 | 22 | 60   | 20 | 28,00 | 36   | 17   | 4   | 0,99 |
| 4           | CCA 35 1616 | 16 / 16 | 60,9  | 56,0  | 36,4 | 14 | 45,3 | 15 | 16,60 | 32   | 20   | 4,5 | 0,38 |
|             | CCA 35 2020 | 20 / 20 | 74,9  | 70,0  | 40,5 | 22 | 55   | 15 | 18,13 | 36   | 17   | 4,5 | 0,68 |
|             | CCA 35 2222 | 22 / 22 | 81,9  | 77,0  | 40,5 | 22 | 60   | 15 | 21,5  | 36   | 18   | 4,5 | 0,93 |
|             | CCA 35 2525 | 25 / 25 | 92,4  | 87,5  | 43,5 | 26 | 65   | 20 | 23,97 | 39   | 18   | 4,5 | 1,10 |
| 4,5         | CCA 35 3030 | 30 / 30 | 109,9 | 105,0 | 48,0 | 30 | 70   | 20 | 30,02 | 43,5 | 19   | 4,5 | 1,61 |
|             | CCA 40 1616 | 16 / 16 | 69,6  | 64,0  | 44,3 | 15 | 50,3 | 15 | 19,70 | 39,8 | 25   | 5   | 0,52 |
|             | CCA 40 2020 | 20 / 20 | 85,6  | 80,0  | 43,0 | 25 | 60   | 18 | 20,74 | 38   | 18   | 5   | 0,90 |
|             | CCA 40 2222 | 22 / 22 | 93,6  | 88,0  | 43   | 25 | 65   | 18 | 24,10 | 38   | 18   | 5   | 1,15 |
| 5           | CCA 40 2525 | 25 / 25 | 105,6 | 100,0 | 45,0 | 28 | 70   | 20 | 28,50 | 40   | 18   | 5   | 1,45 |
|             | CCA 40 3030 | 30 / 30 | 125,6 | 120,0 | 48,0 | 32 | 80   | 25 | 35,67 | 43   | 16   | 5   | 2,66 |
|             | CCA 45 1616 | 16 / 16 | 78,3  | 72,0  | 46,3 | 18 | 55,3 | 18 | 21,70 | 41,3 | 25   | 6   | 0,73 |
|             | CCA 45 2020 | 20 / 20 | 96,3  | 90,0  | 48,0 | 28 | 65   | 20 | 23,41 | 42   | 18   | 6   | 1,25 |
| 5           | CCA 45 2222 | 22 / 22 | 105,3 | 93,0  | 48   | 28 | 70   | 20 | 27,80 | 42   | 18   | 6   | 1,75 |
|             | CCA 45 2525 | 25 / 25 | 118,8 | 112,5 | 50,0 | 32 | 75   | 20 | 31,76 | 44   | 18   | 6   | 2,04 |
|             | CCA 45 3030 | 30 / 30 | 141,3 | 135,0 | 53,0 | 35 | 90   | 25 | 40,82 | 47   | 17   | 6   | 3,24 |
|             | CCA 50 1616 | 16 / 16 | 87,0  | 80,0  | 48,9 | 18 | 60,3 | 20 | 25,10 | 42,9 | 25   | 6,5 | 0,94 |
| 5           | CCA 50 2020 | 20 / 20 | 107,1 | 100,0 | 50,5 | 30 | 70   | 20 | 26,86 | 44   | 18,5 | 6,5 | 1,61 |
|             | CCA 50 2222 | 22 / 22 | 117,1 | 110,0 | 50,5 | 30 | 80   | 20 | 31,70 | 44   | 18,5 | 6,5 | 2,35 |
|             | CCA 50 2525 | 25 / 25 | 132,1 | 125,0 | 53,5 | 34 | 90   | 20 | 36,36 | 47   | 18   | 6,5 | 2,94 |
|             | CCA 50 3030 | 30 / 30 | 157,1 | 150,0 | 56,5 | 38 | 110  | 30 | 45,97 | 50   | 18   | 6,5 | 4,46 |


**COUPLES CONIQUES DENTURE DROITE - TYPE A**
**MATIÈRE :**

 Acier : C43 UNI 7847  
 ANGLE DE PRESSION : 20°


| RAPPORT 1/2 |             |    |       |       |      |    |     |    |       |    |      |     |      |
|-------------|-------------|----|-------|-------|------|----|-----|----|-------|----|------|-----|------|
| Module      | Référence   | Z  | De    | Dp    | H    | F  | d   | D  | V     | L  | Lm   | S   | Kg   |
| 1,5         | CCA 15 1632 | 16 | 26,7  | 24,0  | 19,5 | 8  | 21  | 10 | 16,33 | 18 | 11,3 | 1,5 | 0,04 |
|             |             | 32 | 49,3  | 48,0  | 20,0 | 8  | 32  | 12 | 7,45  | 17 | 10,0 | 3   | 0,14 |
| 2           | CCA 20 1632 | 16 | 35,6  | 32,0  | 23,0 | 10 | 26  | 10 | 22,41 | 21 | 12,2 | 2   | 0,09 |
|             |             | 32 | 65,8  | 64,0  | 25,0 | 10 | 40  | 12 | 10,21 | 21 | 10,0 | 4   | 0,14 |
| 2,5         | CCA 25 1632 | 16 | 44,4  | 40,0  | 27,5 | 12 | 34  | 12 | 28,38 | 25 | 14,4 | 2,5 | 0,16 |
|             |             | 32 | 82,2  | 80,0  | 25,0 | 12 | 50  | 15 | 14,10 | 20 | 10,0 | 5   | 0,59 |
| 3           | CCA 30 1632 | 16 | 53,4  | 48,0  | 28,0 | 15 | 40  | 15 | 33,64 | 25 | 11,6 | 3   | 0,23 |
|             |             | 32 | 98,7  | 96,0  | 30,0 | 15 | 60  | 15 | 15,31 | 24 | 10,0 | 6   | 1,05 |
| 3,5         | CCA 35 1632 | 16 | 62,3  | 56,0  | 33,5 | 18 | 48  | 15 | 38,83 | 30 | 14,4 | 3,5 | 0,40 |
|             |             | 32 | 115,1 | 112,0 | 31,0 | 18 | 70  | 20 | 17,77 | 24 | 10,0 | 7   | 1,57 |
| 4           | CCA 40 1632 | 16 | 71,1  | 64,0  | 36,0 | 20 | 50  | 20 | 44,81 | 32 | 13,4 | 4   | 0,49 |
|             |             | 32 | 131,6 | 128,0 | 32,0 | 20 | 80  | 20 | 20,42 | 24 | 10,0 | 8   | 2,29 |
| 4,5         | CCA 45 1632 | 16 | 80,1  | 72,0  | 39,5 | 22 | 60  | 20 | 51,00 | 35 | 15,4 | 4,5 | 0,75 |
|             |             | 32 | 148,0 | 144,0 | 36,0 | 22 | 90  | 25 | 23,21 | 27 | 10,0 | 9   | 2,99 |
| 5           | CCA 50 1632 | 16 | 88,9  | 80,0  | 50,0 | 25 | 60  | 20 | 56,06 | 45 | 21,1 | 5   | 1,07 |
|             |             | 32 | 164,5 | 160,0 | 38,0 | 25 | 100 | 25 | 25,52 | 28 | 10,0 | 10  | 3,95 |

| RAPPORT 1/3 |             |    |       |       |      |    |     |    |       |      |      |      |      |
|-------------|-------------|----|-------|-------|------|----|-----|----|-------|------|------|------|------|
| Module      | Référence   | Z  | De    | Dp    | H    | F  | d   | D  | V     | L    | Lm   | S    | Kg   |
| 1,5         | CCA 15 1648 | 16 | 26,9  | 24,0  | 24,0 | 12 | 20  | 10 | 22,44 | 23   | 11,7 | 1,0  | 0,04 |
|             |             | 48 | 72,9  | 72,0  | 20,0 | 12 | 50  | 15 | 7,27  | 17   | 10,0 | 3,0  | 0,31 |
| 2           | CCA 20 1648 | 16 | 35,8  | 32,0  | 28,5 | 15 | 26  | 12 | 33,26 | 27   | 12,4 | 1,5  | 0,08 |
|             |             | 48 | 97,3  | 96,0  | 23,0 | 15 | 60  | 15 | 9,90  | 19   | 10,0 | 4,0  | 0,67 |
| 2,5         | CCA 25 1648 | 16 | 44,7  | 40,0  | 32,0 | 18 | 32  | 12 | 42,41 | 30   | 13,0 | 2,0  | 0,15 |
|             |             | 48 | 121,6 | 120,0 | 26,0 | 18 | 70  | 20 | 13,23 | 21   | 10,0 | 5,0  | 1,22 |
| 3           | CCA 30 1648 | 16 | 53,7  | 48,0  | 32,0 | 18 | 40  | 15 | 54,25 | 30   | 12,1 | 2,0  | 0,27 |
|             |             | 48 | 145,9 | 144,0 | 29,0 | 18 | 80  | 20 | 16,20 | 23   | 10,0 | 6,0  | 2,01 |
| 3,5         | CCA 35 1648 | 16 | 62,6  | 56,0  | 38,0 | 22 | 48  | 15 | 62,29 | 35,5 | 15,0 | 2,5  | 0,45 |
|             |             | 48 | 170,2 | 168,0 | 31,0 | 22 | 90  | 20 | 18,48 | 24   | 10,0 | 7,0  | 3,08 |
| 4           | CCA 40 1648 | 16 | 71,6  | 64,0  | 41,5 | 25 | 55  | 20 | 71,23 | 38,8 | 15,2 | 3,0  | 0,67 |
|             |             | 48 | 194,5 | 192,0 | 33,0 | 25 | 100 | 22 | 21,20 | 25   | 10,0 | 8,0  | 4,40 |
| 4,5         | CCA 45 1648 | 16 | 80,6  | 72,0  | 53,0 | 28 | 60  | 20 | 80,27 | 50   | 23,4 | 3,0  | 1,05 |
|             |             | 48 | 218,6 | 216,0 | 49,0 | 28 | 100 | 25 | 23,93 | 40   | 18,0 | 9,0  | 7,23 |
| 5           | CCA 50 1648 | 16 | 89,5  | 80,0  | 60,0 | 35 | 60  | 20 | 85,61 | 57   | 22,5 | 3,0  | 1,38 |
|             |             | 48 | 243,1 | 240,0 | 50,0 | 35 | 150 | 28 | 25,45 | 40   | 20,0 | 10,0 | 8,72 |

| RAPPORT 1/4 |             |    |       |       |      |    |     |    |        |      |      |     |       |
|-------------|-------------|----|-------|-------|------|----|-----|----|--------|------|------|-----|-------|
| Module      | Référence   | Z  | De    | Dp    | H    | F  | d   | D  | V      | L    | Lm   | S   | Kg    |
| 1,5         | CCA 15 1664 | 16 | 26,9  | 24,0  | 25,0 | 12 | 18  | 10 | 36,02  | 24   | 12,2 | 1   | 0,04  |
|             |             | 64 | 96,7  | 96,0  | 22,0 | 12 | 70  | 15 | 8,53   | 19   | 10,0 | 3   | 0,75  |
| 2           | CCA 20 1664 | 16 | 35,9  | 32,0  | 24,0 | 15 | 25  | 12 | 49,07  | 23   | 8,2  | 1   | 0,08  |
|             |             | 64 | 129,0 | 128,0 | 24,0 | 15 | 80  | 20 | 11,79  | 20   | 10,0 | 4   | 1,35  |
| 2,5         | CCA 25 1664 | 16 | 44,9  | 40,0  | 30,5 | 18 | 30  | 15 | 61,99  | 26   | 8,2  | 1,5 | 0,18  |
|             |             | 64 | 161,2 | 160,0 | 29,0 | 18 | 90  | 20 | 13,77  | 24   | 10,0 | 5   | 2,70  |
| 3           | CCA 30 1664 | 16 | 53,8  | 48,0  | 34,0 | 22 | 40  | 15 | 74,05  | 32   | 11,0 | 2   | 0,29  |
|             |             | 64 | 193,5 | 192,0 | 30,0 | 22 | 100 | 20 | 16,41  | 24   | 10,0 | 6   | 4,12  |
| 3,5         | CCA 35 1664 | 16 | 62,8  | 56,0  | 45,0 | 25 | 48  | 15 | 87,13  | 43   | 19,1 | 2   | 0,48  |
|             |             | 64 | 225,7 | 224,0 | 50,0 | 25 | 100 | 25 | 19,32  | 43   | 22,0 | 7   | 7,53  |
| 4           | CCA 40 1664 | 16 | 71,7  | 64,0  | 50,0 | 30 | 50  | 20 | 98,21  | 48   | 18,5 | 2   | 0,75  |
|             |             | 64 | 257,9 | 256,0 | 50,0 | 30 | 120 | 28 | 21,72  | 42   | 20,0 | 8   | 10,66 |
| 4,5         | CCA 45 1664 | 16 | 80,7  | 72,0  | 53,0 | 32 | 55  | 20 | 112,08 | 50,5 | 19,0 | 2,5 | 1,12  |
|             |             | 64 | 290,1 | 288,0 | 53,0 | 32 | 130 | 30 | 24,83  | 44   | 23,0 | 9   | 13,80 |
| 5           | CCA 50 1664 | 16 | 89,7  | 80,0  | 58,0 | 35 | 60  | 20 | 125,06 | 55,5 | 20,6 | 2,5 | 1,49  |
|             |             | 64 | 322,4 | 320,0 | 58,0 | 35 | 150 | 30 | 27,65  | 48   | 25,0 | 2,5 | 16,94 |