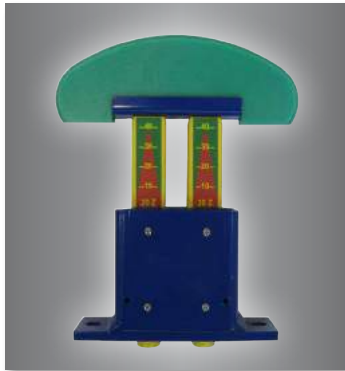
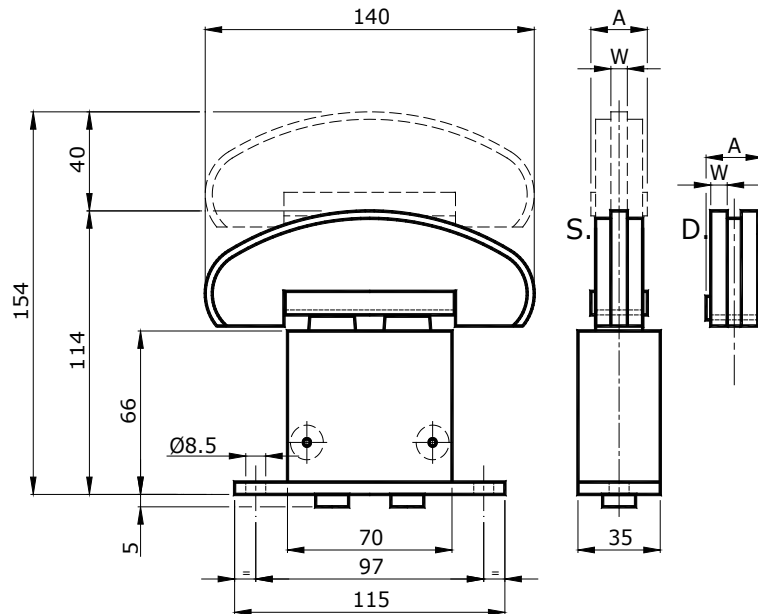



TENDEURS AXIAUX COMPLETS TBD + PATIN PC


Type TBDZ avec ressorts en acier zingué
 Type TBDX avec ressorts en acier inoxydable



		Avec ressorts en acier zingué			Avec ressorts en acier inoxydable			
		TBDZ + PC	TBDZ	PC			TBDX	TBDX+PC
Chaîne DIN 8187 ISO					A	W		
05-B1	8mm	TBD10ZPC0S	TBD 10 Z	PC 0 S	24	2,5	TBD 10 X	TBD10XPC0S
06-B1	3/8"x7/32"	TBD10ZPC1S	TBD 10 Z	PC 1 S	24	5	TBD 10 X	TBD10XPC1S
06-B1	3/8"x7/32"	TBD20ZPC1S	TBD 20 Z	PC 1 S	24	5	TBD 20 X	TBD20XPC1S
08-B1	1/2"x5/16"	TBD10ZPC2S	TBD 10 Z	PC 2 S	24	7	TBD 10 X	TBD10XPC2S
08-B1	1/2"x5/16"	TBD20ZPC2S	TBD 20 Z	PC 2 S	24	7	TBD 20 X	TBD20XPC2S
10-B1	5/8"x3/8"	TBD20ZPC3S	TBD 20 Z	PC 3 S	24	9	TBD 20 X	TBD20XPC3S
10-B1	5/8"x3/8"	TBD30ZPC3S	TBD 30 Z	PC 3 S	24	9	TBD 30 X	TBD30XPC3S
12-B1	3/4"x7/16"	TBD20ZPC4S	TBD 20 Z	PC 4 S	24	11	TBD 20 X	TBD20XPC4S
12-B1	3/4"x7/16"	TBD30ZPC4S	TBD 30 Z	PC 4 S	24	11	TBD 30 X	TBD30XPC4S
16-B1	1"x17,02mm	TBD30ZPC5S	TBD 30 Z	PC 5 S	29	16	TBD 30 X	TBD30XPC5S
16-B1	1"x17,02mm	TBD40ZPC5S	TBD 40 Z	PC 5 S	29	16	TBD 40 X	TBD40XPC5S
20-B1	1 1/4"x3/4"	TBD30ZPC6S	TBD 30 Z	PC 6 S	29	18	TBD 30 X	TBD30XPC6S
20-B1	1 1/4"x3/4"	TBD40ZPC6S	TBD 40 Z	PC 6 S	29	18	TBD 40 X	TBD40XPC6S
05-B2	8mm	TBD10ZPC0D	TBD 10 Z	PC 0 D	24	2,5	TBD 10 X	TBD10XPC0D
06-B2	3/8"x7/32"	TBD10ZPC1D	TBD 10 Z	PC 1 D	24	5	TBD 10 X	TBD10XPC1D
06-B2	3/8"x7/32"	TBD20ZPC1D	TBD 20 Z	PC 1 D	24	5	TBD 20 X	TBD20XPC1D
08-B2	1/2"x5/16"	TBD20ZPC2D	TBD 20 Z	PC 2 D	24	7	TBD 20 X	TBD20XPC2D
10-B2	5/8"x3/8"	TBD20ZPC3D	TBD 20 Z	PC 3 D	29	9	TBD 20 X	TBD20XPC3D
10-B2	5/8"x3/8"	TBD30ZPC3D	TBD 30 Z	PC 3 D	29	9	TBD 30 X	TBD30XPC3D
12-B2	3/4"x7/16"	TBD30ZPC4D	TBD 30 Z	PC 4 D	34	11	TBD 30 X	TBD30XPC4D
16-B2	1"x17,02mm	TBD30ZPC5D	TBD 30 Z	PC 5 D	52	16	TBD 30 X	TBD30XPC5D
16-B2	1"x17,02mm	TBD40ZPC5D	TBD 40 Z	PC 5 D	52	16	TBD 40 X	TBD40XPC5D

Tendeurs pour chaîne triple sur demande uniquement.