

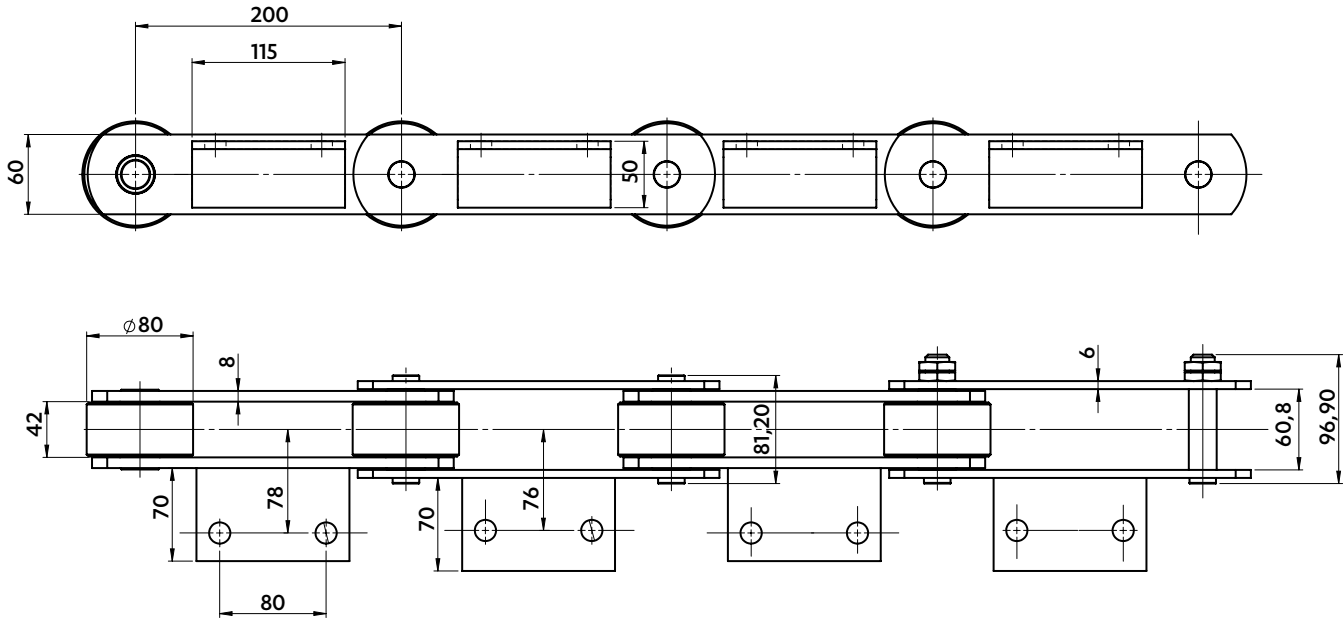
CHAINS FOR THE BRICK AND TILE INDUSTRY



Dimensions in mm

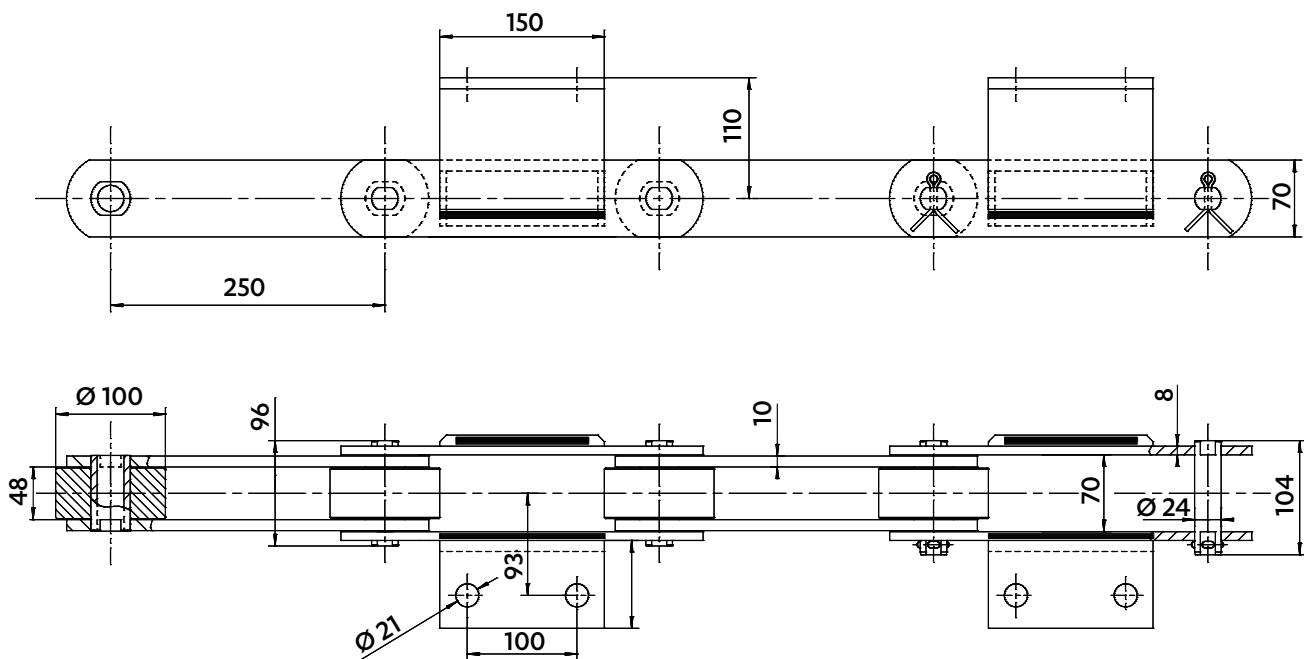
CHAIN FOR METERING HOPPER

5370-75



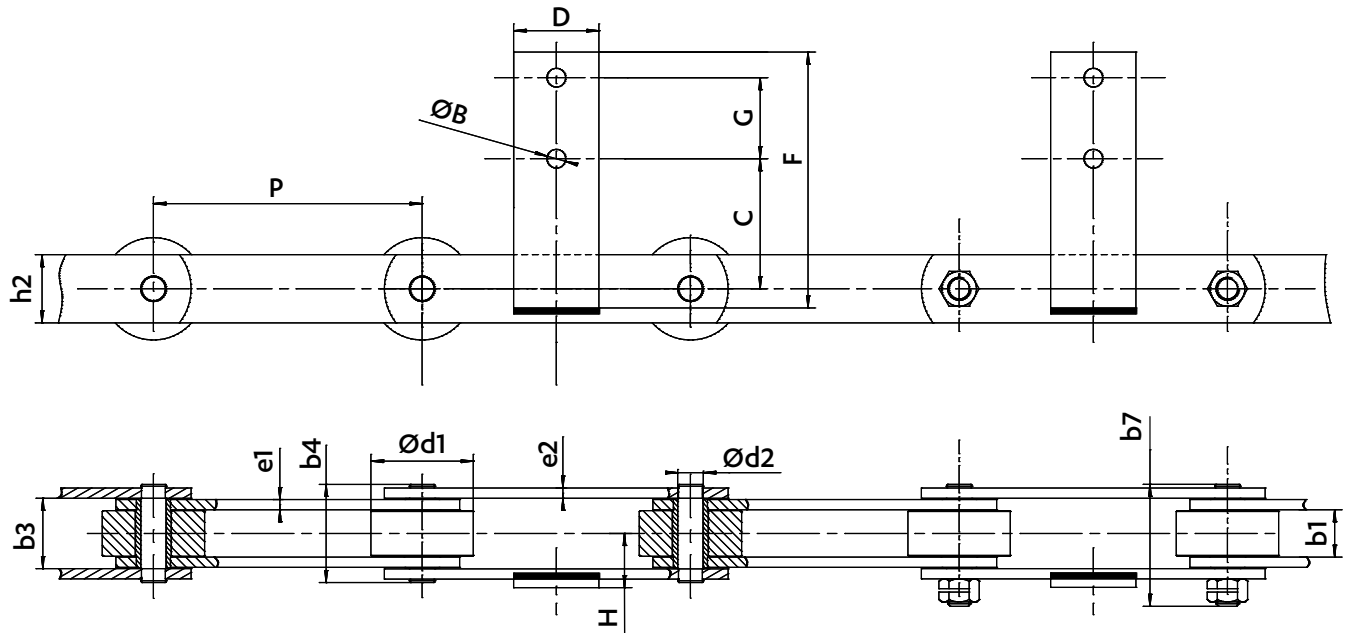
EXCAVATOR CHAINS

5343-76



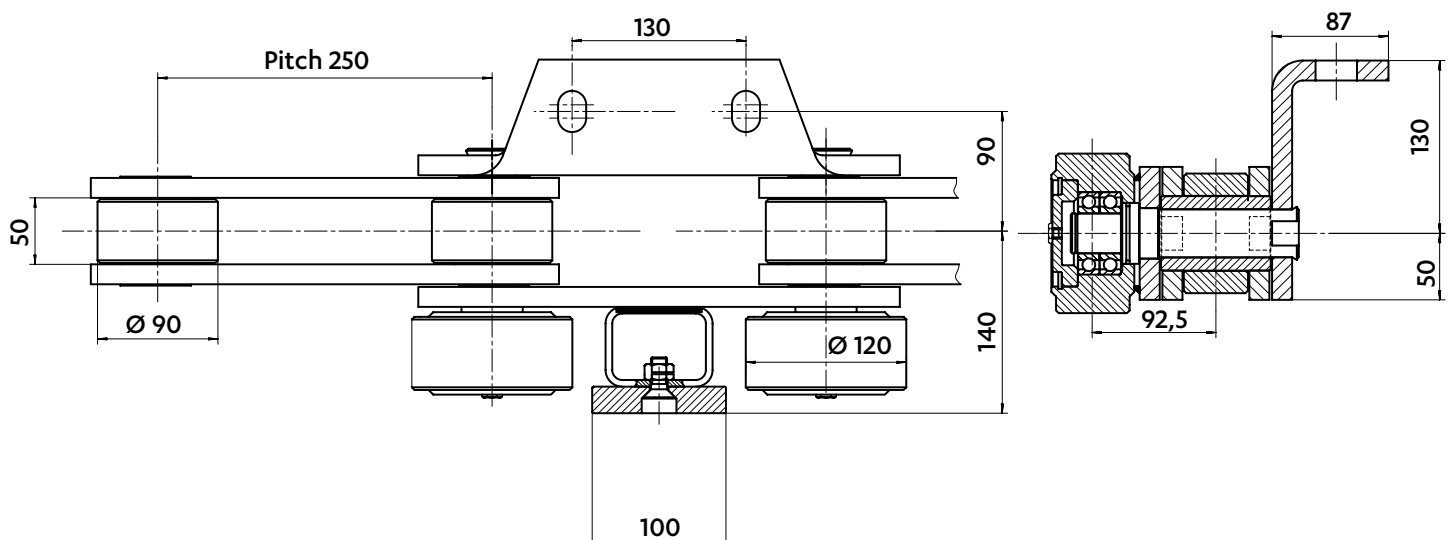
Dimensions in mm

## EXCAVATOR CHAINS



Chain ref	Pitch P	Plates height h2	Plates thickness e1 / e2	Width between inner plates b1	Width between outer plates b3	Wheel Ø d1	Width over the riveted pins b4	Width over 209 conn. link b7	Pin Ø d2	Attachments					
										B	C	D	F	G	H
5478-16	315	80	12	55,5	82,5	120	115	143	30	21	152,5	100	300	95	63,5
5478-18		50	8	36	55	70	77,8	93	18	17	122,5		240	85	41,5

5343-53

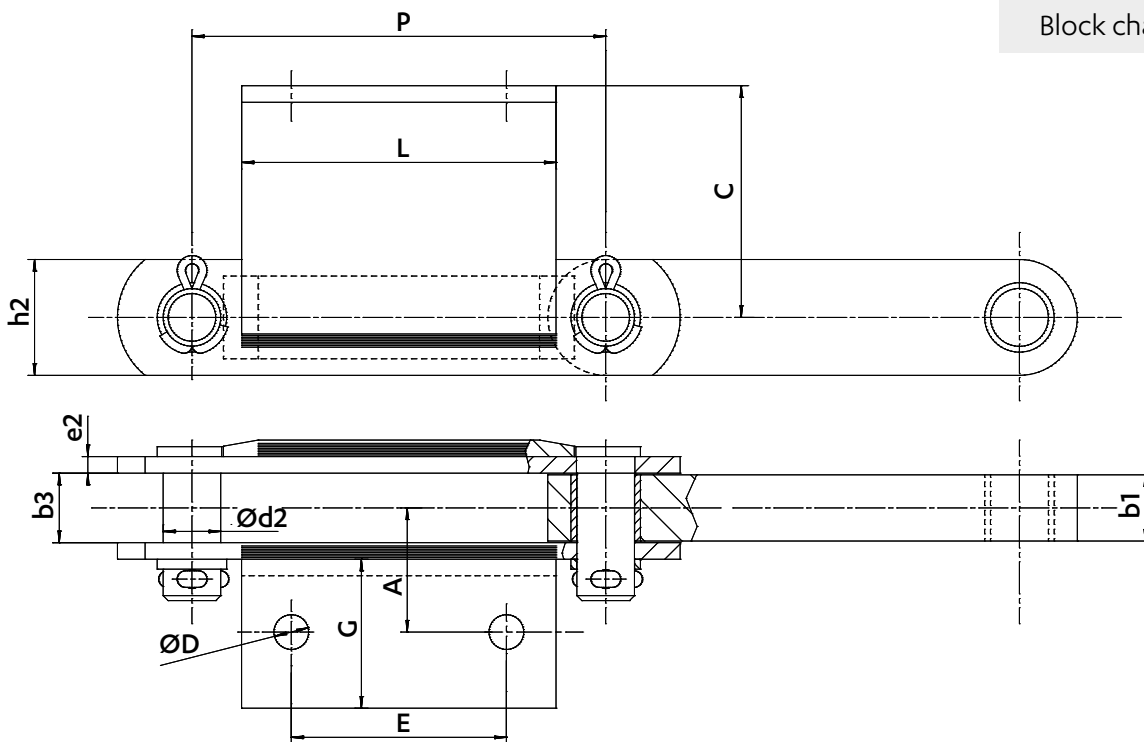
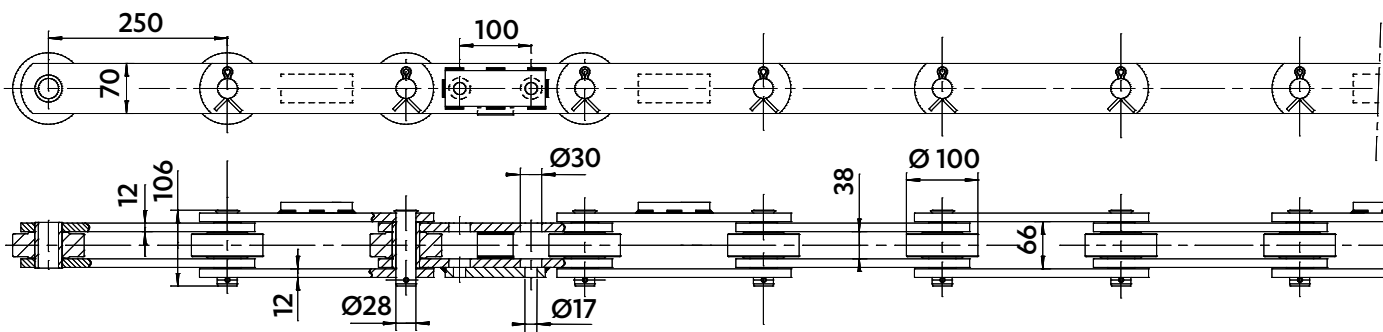


CHAINS FOR THE BRICK AND TILE INDUSTRY

Dimensions in mm

EXCAVATOR CHAINS

5684-09

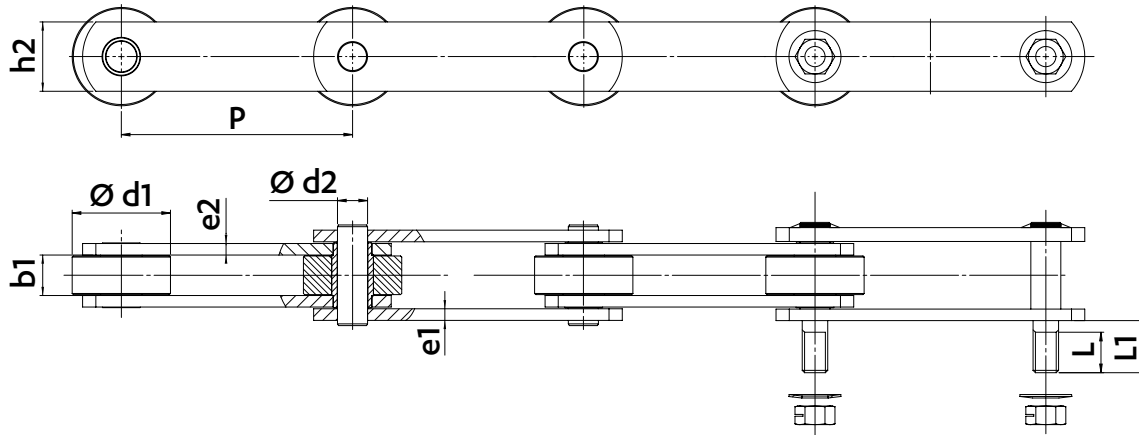


Block chains

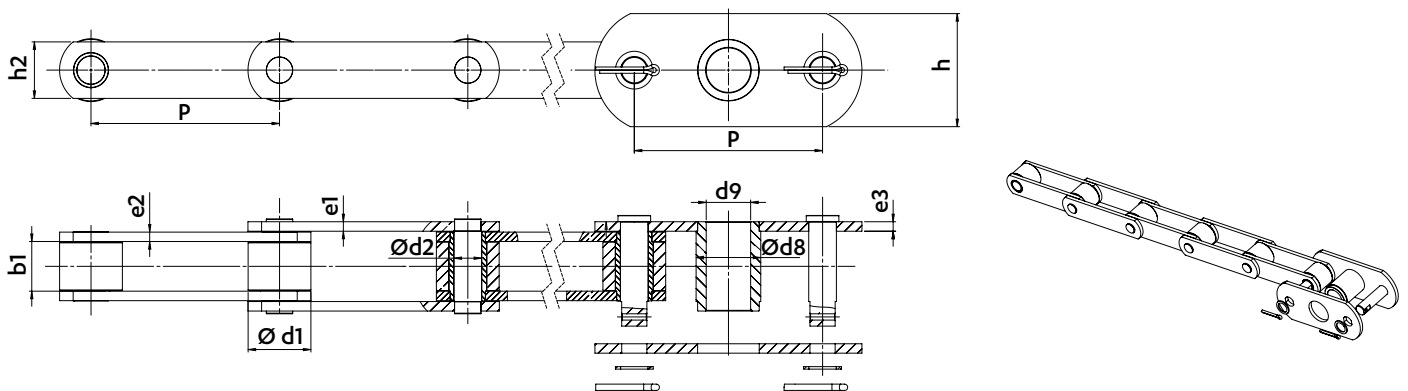
Chain ref	Pitch P	Block width b1	Plates height h2	Plates thickness e2	Width between outer plates b3	Pin Ø d2	Attachments				
							D	A	G	L	C
5741-08	250	40	70	10	42	35	21	75	90	190	140
5741-04				10		35	22	70	80	140	110
5741-15				10		35	21	70	80	150	110
5741-16				15		31,5	23	85	80	180	115
5741-19				10		18	-	-	-	-	-

Dimensions in mm

## CHAINS FOR SWING DRYER



Chain ref	Pitch P	Width between inner plates b1	Plates height h2	Inner plates thickness e1	Outer plates thickness e2	Wheel Ø d1	Pin Ø d2	Conn. Link thread	Extended pins	
									L	L1
5022-13	200	35	60	10	10	85	26	M22	35	45
5022-14	200	35	60	10	10	85	26	M22	35	45
5022-15	200	35	80	15	15	85	32	M27	40	50
5308-60	200	42	60	8	8	85	21	M20	35	45
5308-70	200	35	70	10	10	85	28	M22	25	45
5308-88	200	44	70	10	10	85	25	M20	35	45
5308-91	200	38	60	8	8	85	25	M22	35	45
5308-92	200	38	70	12	12	85	30	M22	35	45
5581-02	260	67	80	12	12	100	30	M27	55	65
5581-05	260	67	80	12	12	100	30	M27	50	70
5921-01	200	35	70	10	10	85	25	M22	40	50
5921-02	200	35	70	10	10	85	28	M22	25	45
5921-12	200	35	60	10	10	85	26	M22	35	45
5921-14	200	42	60	10	10	80	22	M20	30	40
5921-28	200	41	80	12	15	85	36	M22	29	47
5921-71	200	42	60	10	10	80	22	M20	30	40



Chain ref	Pitch P	Width between inner plates b1	Plates height h2	Inner plates thickness e1	Outer plates thickness e2	Wheel Ø d1	Pin Ø d2	Conn. Link thread	ATTACHMENT			
									d8	d9	h	e3
5851-05	280	43	70	10	12	85	26	M22	85	60	128	15
5462-30	300	79	90	15	15	100	44	cottered	103	70,5	180	15