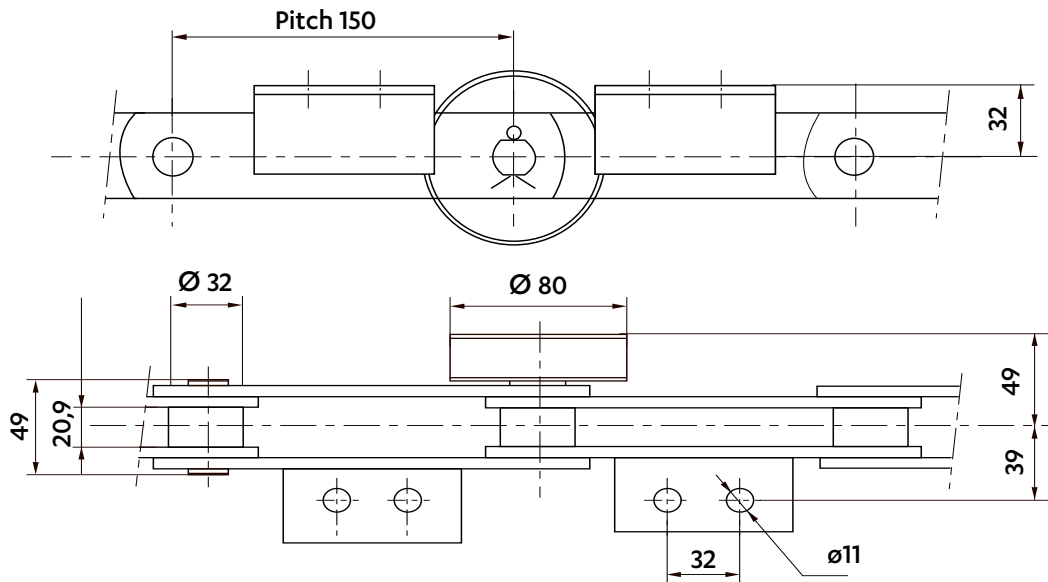


Dimensions in mm

## CHAIN FOR STERILIZER

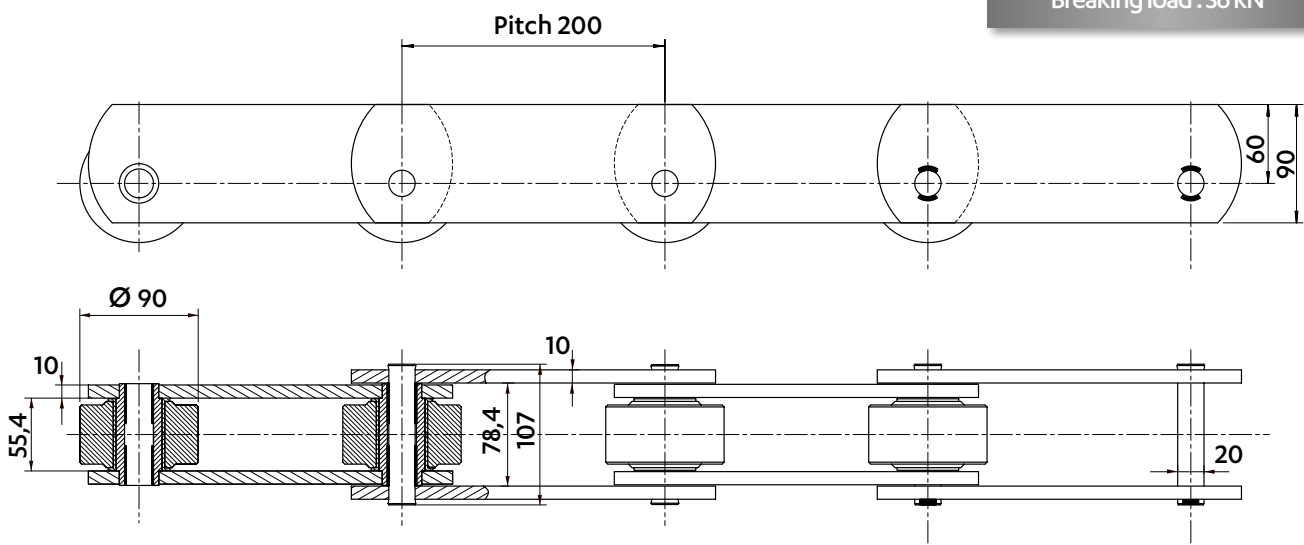
Chain with extended pins on one side equipped with outboard rollers fitted with ball bearings.

**5566-15**  
Breaking load : 68 kN



## CHAIN FOR CHEESE CONVEYOR

**5308-98**  
Breaking load : 36 kN



SEDIS solution

**STAINLESS STEEL CHAIN**  
**DELTA VERTE®**

SELF-LUBRICATING BUSH

- Corrosion resistance in harsh environment
- Enhanced wear resistance
- No contamination by lubrication oil
- Prevents maintenance