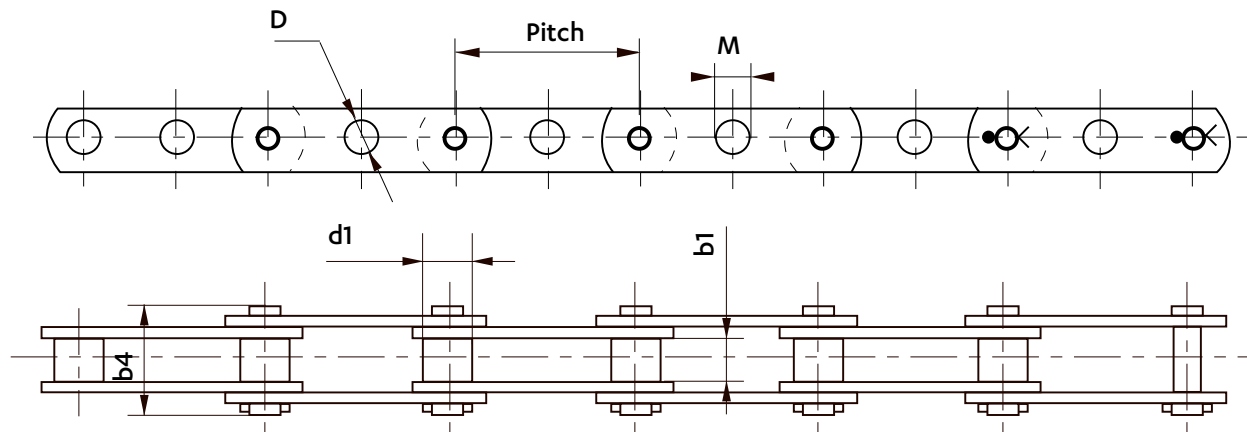


CHAINS FOR FRUITS AND VEGETABLES



Dimensions in mm

CHAINS FOR FRUIT SORTING / GRADING



TYPE A: Cylindrical central hole in each plate.

TYPE B: Cylindrical central hole in each plate except every 3 pitches on one side of the chain where the hole is flattened.

TYPE C: Cylindrical central hole in each plate on one side of the chain and flattened central hole on the other side.

Type	Chain ref	Pitch	Width between inner plates		Wheel Ø	Width over riveted pins		Central hole	
			b1 max.	d1 min.	b4 max.	D max.	M max.		
A	5613-25 ♦	38,1	12,5	11,91	12,07	29	8,1		
	5613-20 ♦	44,45					8,1		
	5342-80	50					8,1		
	5342-76	50	27			8,1			
	5464-04	50				8,4			
	5708-01	56,25				8,1			
	5464-34	50	DELTA version of 5342-76						
B	5464-05	50	11,7	12,07	27	8,4	6,6		
C	5464-06	50							

♦ Chains in DELTA TITANIUM 2 (anti-corrosion)



SEDIS solutions

POSSIBLE OPTIONS

DELTA® PINS

- Enhanced wear resistance in abrasive environment

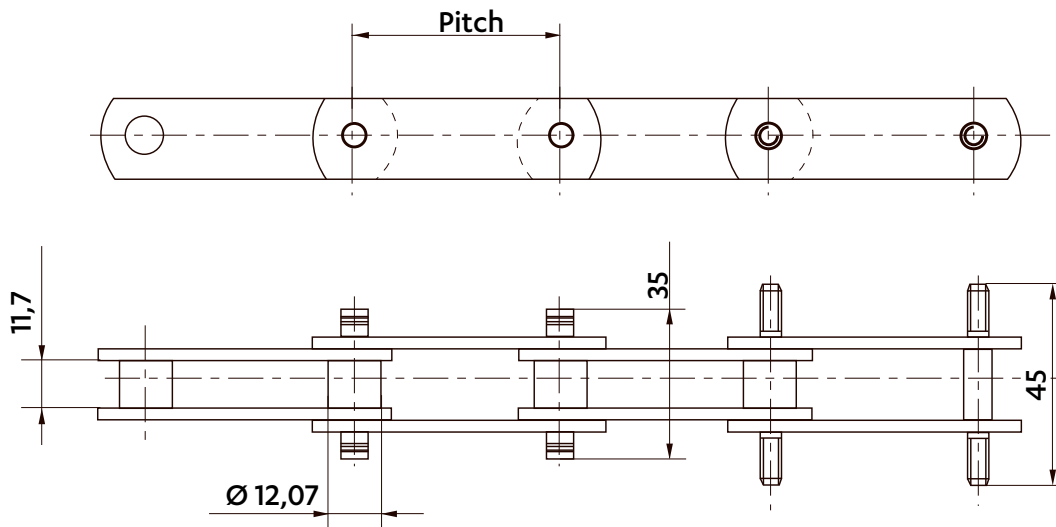
SEDIS ANTI-CORROSION COATING

- Corrosion resistance in harsh environment

Further information on pages 19 to 21

Dimensions in mm

CHAINS FOR FRUIT SORTING / GRADING



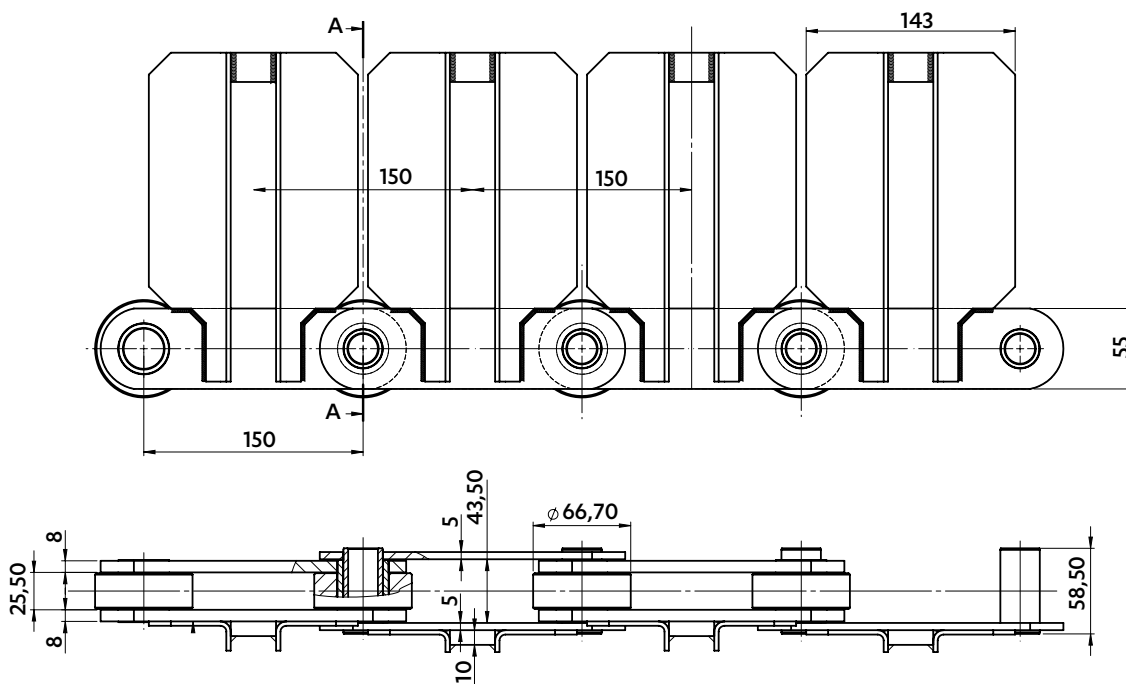
5564-07

Pitch : 50 mm
Breaking load : 20 kN

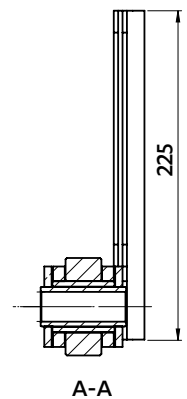
5708-02

Pitch : 56,25 mm
Breaking load : 20 kN

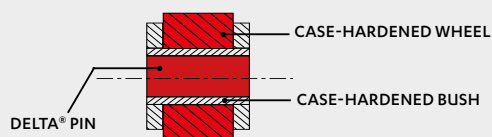
CHAIN FOR ROOTS GRADING



5421-61



DELTA® HOLLOW PINS CASE-HARDENED BUSHES & WHEELS



- Enhanced wear resistance in abrasive environment
- Longer service life of the chain