

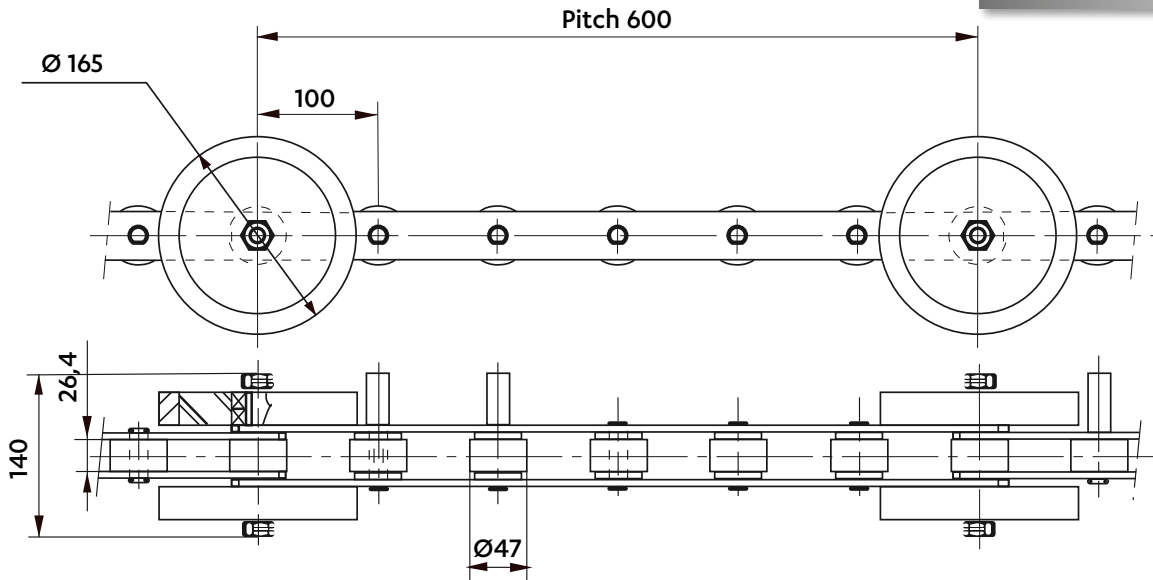
CHAINS FOR LUGGAGE TRANSPORT



Dimensions in mm

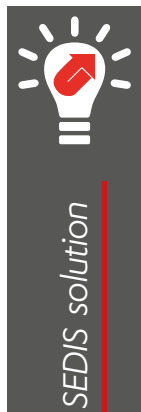
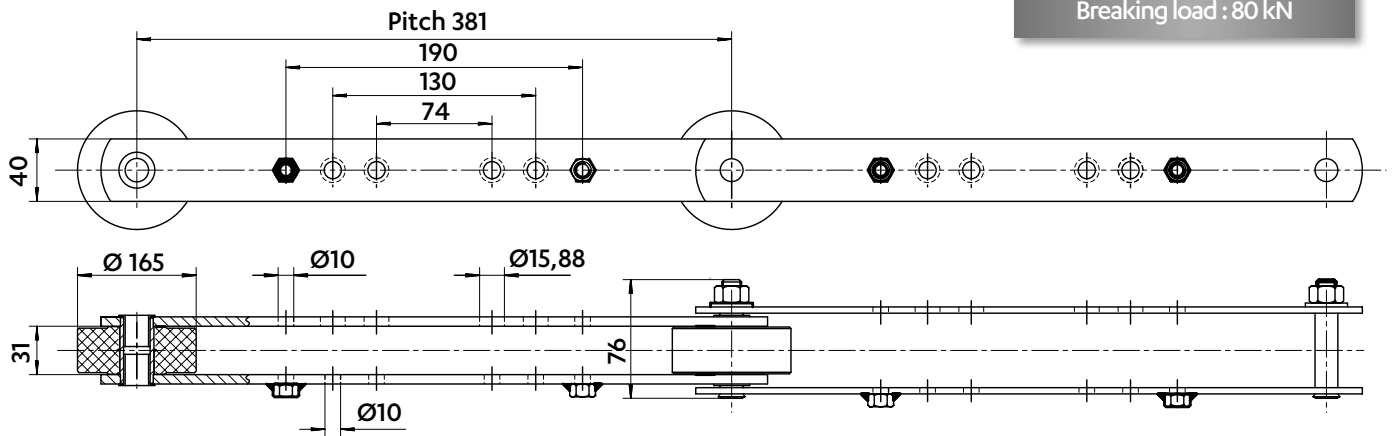
CHAIN FOR LUGGAGE HANDLING

5547-01
Breaking load : 112kN



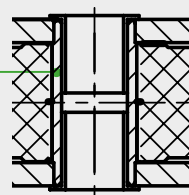
CHAIN FOR LUGGAGE CONVEYOR

5875-02
Breaking load : 80 kN



DELTA VERTE® CHAIN

SELF-LUBRICATING BUSH



- Corrosion resistance in harsh environment (SEDIS coating)
- Increased wear resistance (DELTA® pins)
- Prevents maintenance