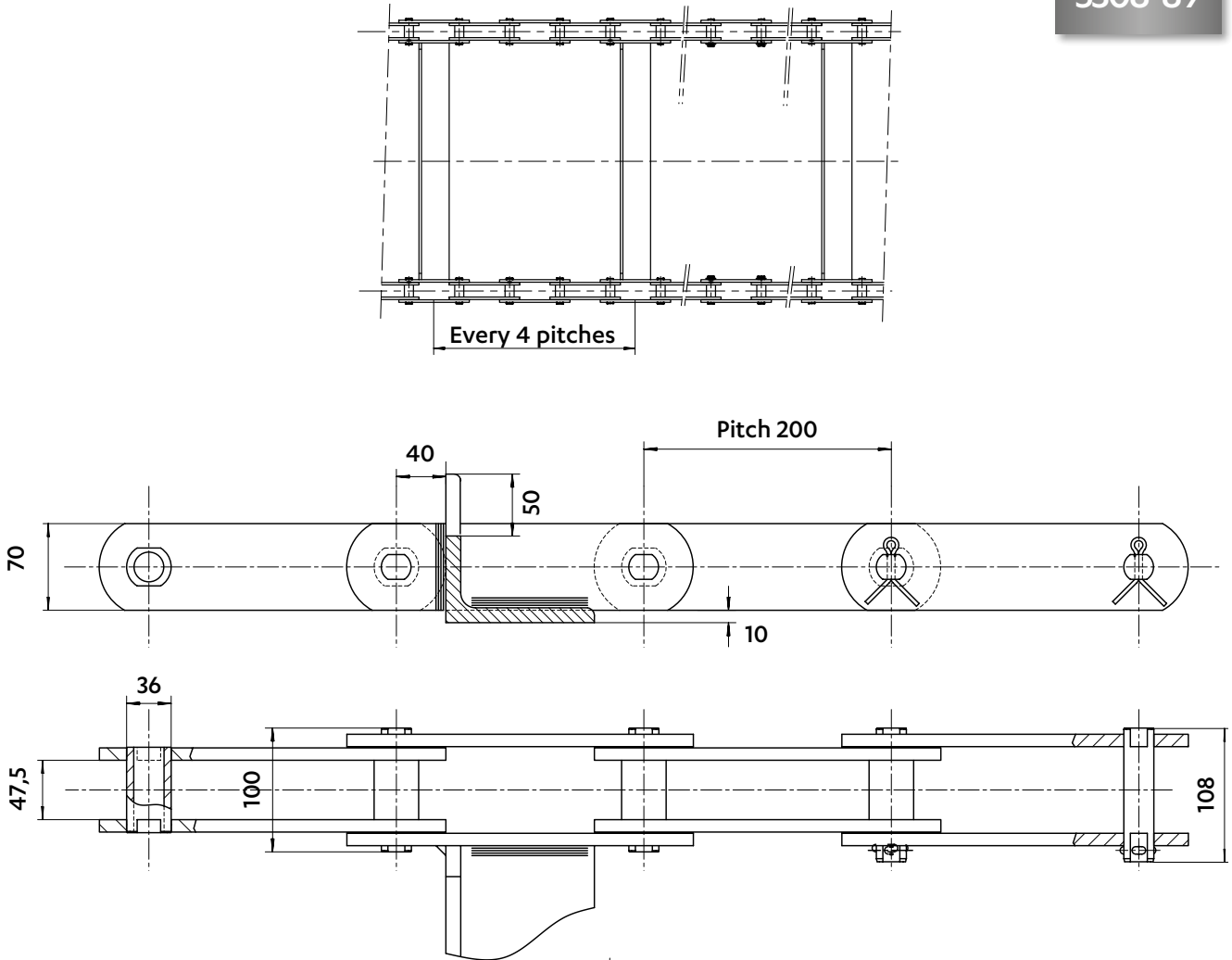


CHAINS FOR THE PAPER INDUSTRY

Dimensions in mm

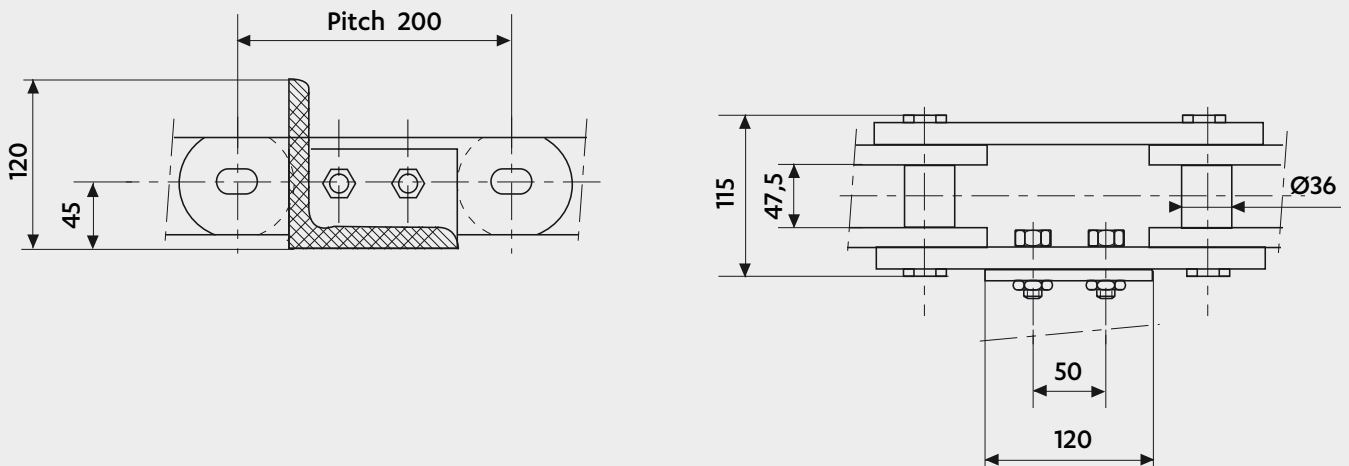
SLAT SCRAPER CONVEYOR FOR BARK TRANSPORT

5308-89



ALSO EXISTS WITH SCREWED AND WELDED ATTACHMENTS:

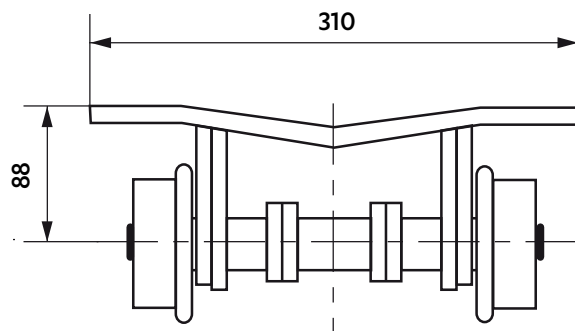
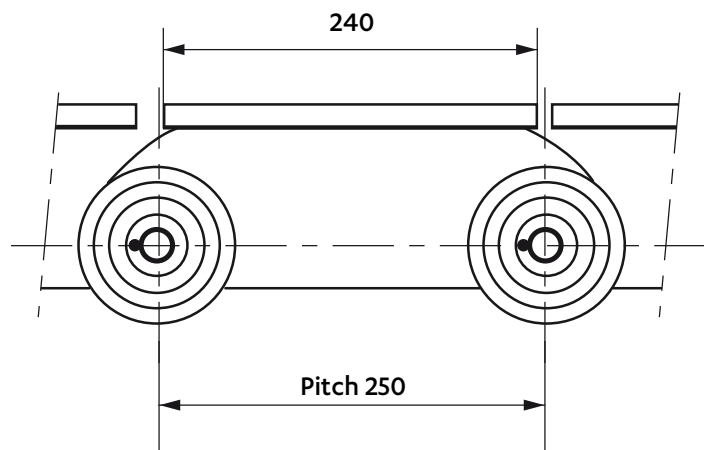
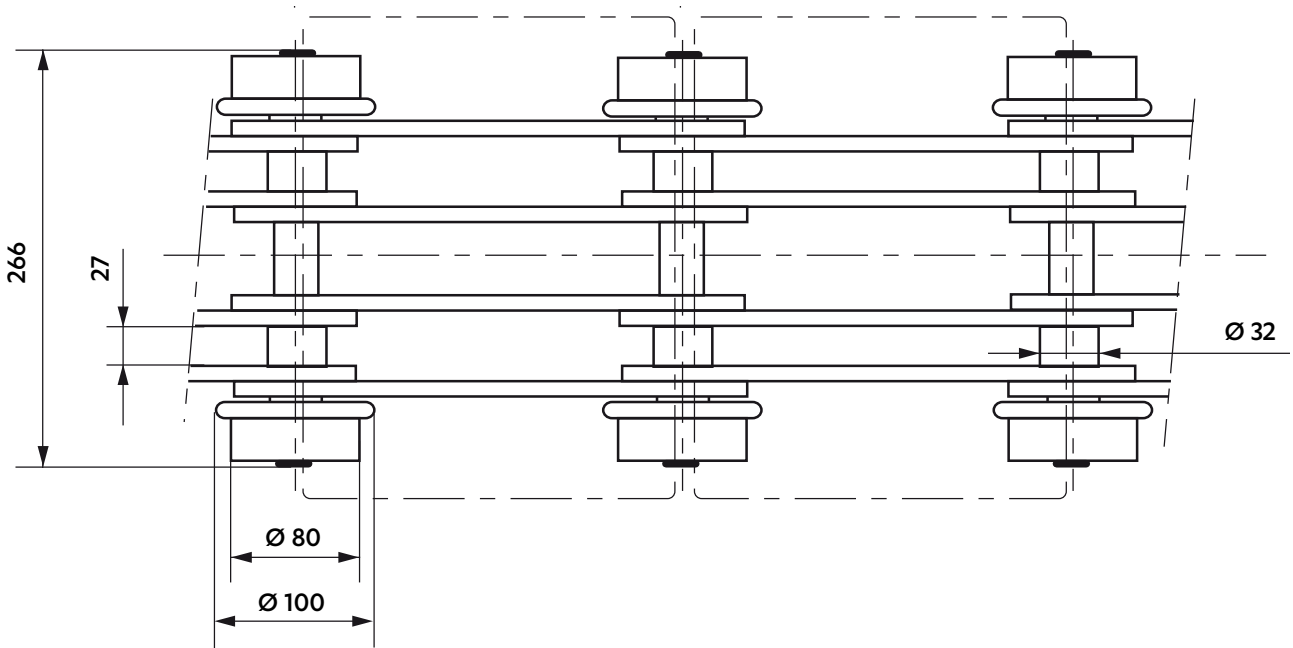
5308-45



Dimensions in mm

TOP PLATE CONVEYOR CHAIN FOR PAPER REELS TRANSPORT

5343-15
Breaking load : 350 kN



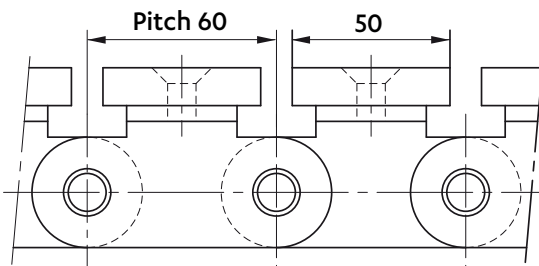
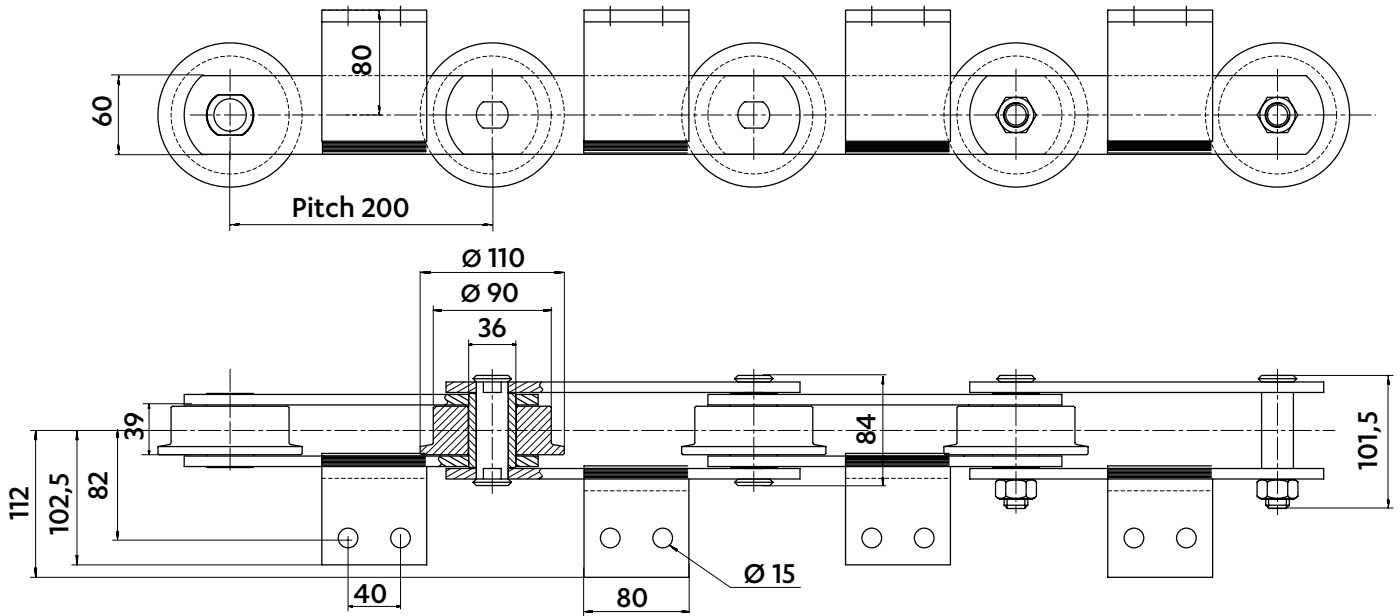
CHAINS FOR THE PAPER INDUSTRY

Dimensions in mm

CONVEYOR CHAINS FOR PAPER REELS TRANSPORT

5308-35

slat conveyor with 2 chains in parallel



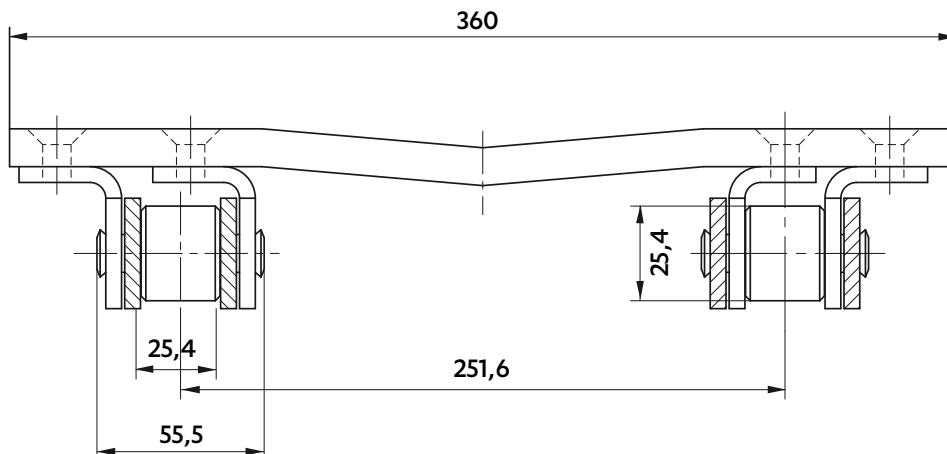
5787-03

Breaking load : 100 kN

Top plates with sliding coating

1/2 INNER LINK VIEW

1/2 OUTER LINK VIEW

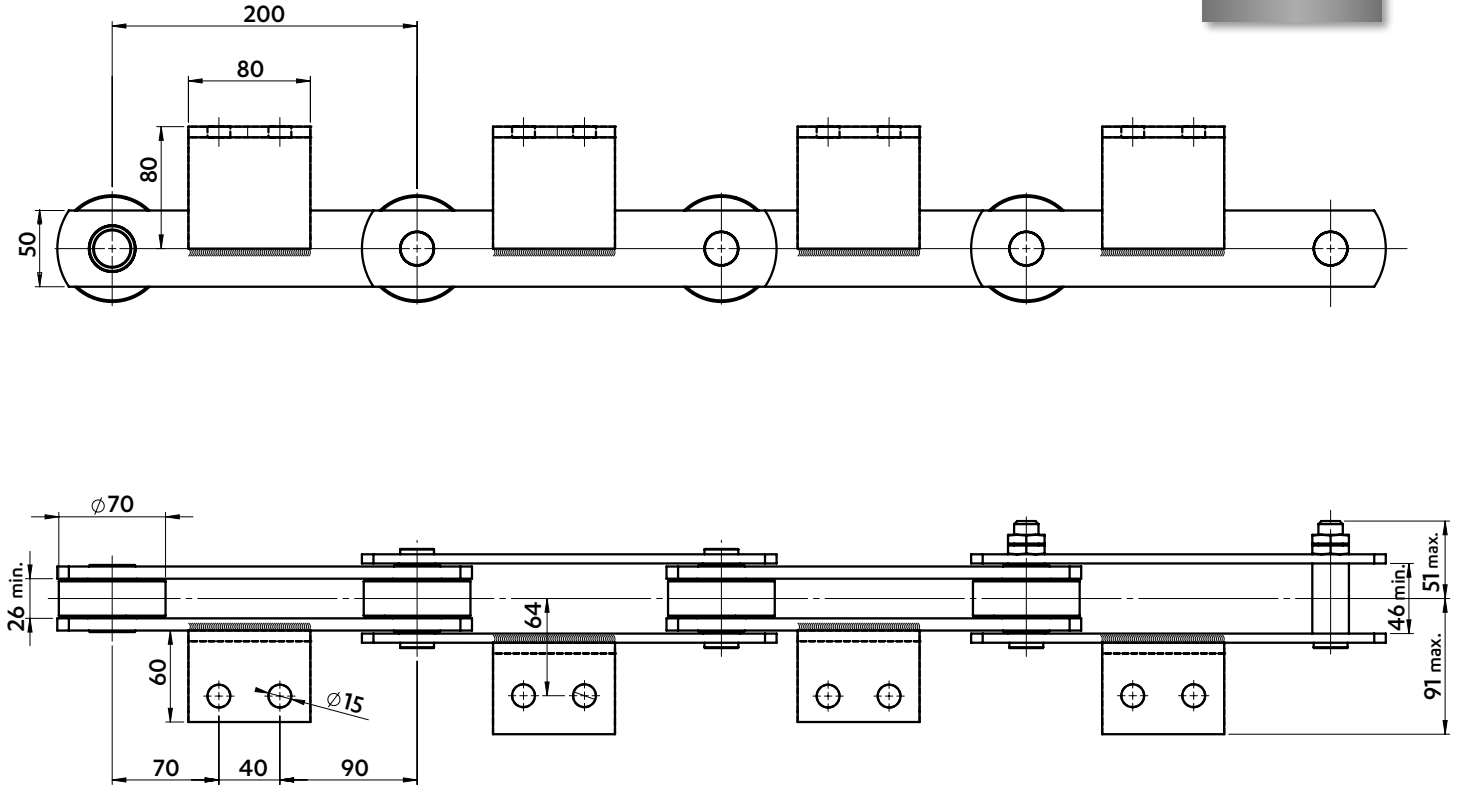


CHAINS FOR THE PAPER INDUSTRY

Dimensions in mm

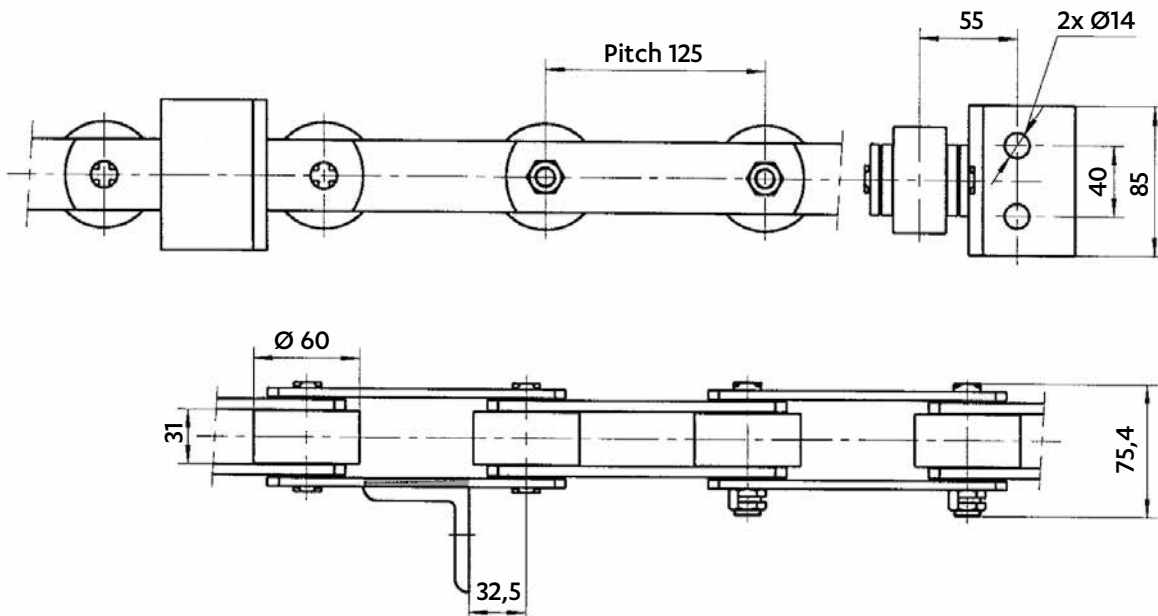
CHAIN FOR PULP PROCESSING

5765-08



CHAIN WITH F2 ATTACHMENTS

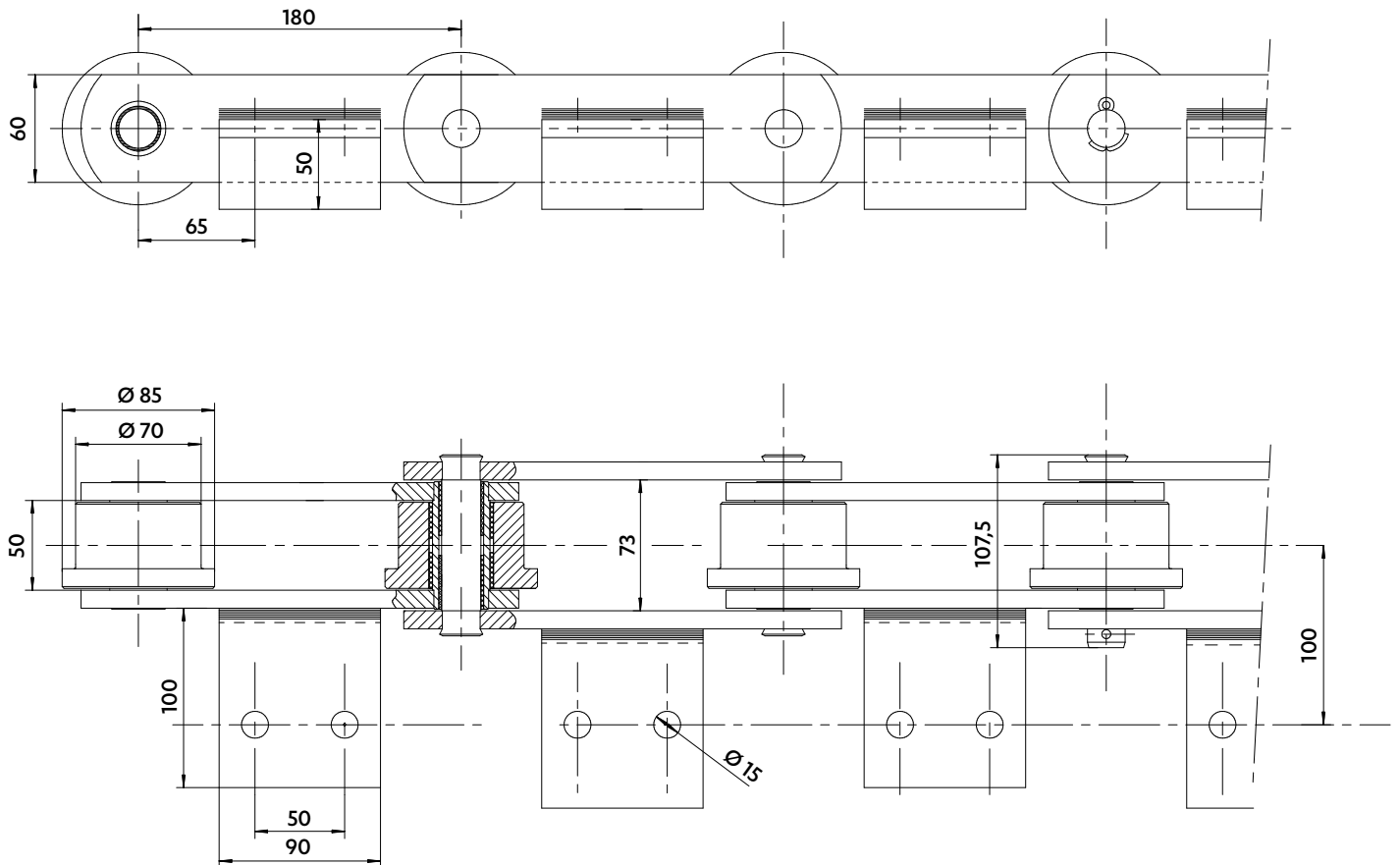
5301-47
Breaking load : 130 kN




Dimensions in mm

CHAIN FOR PAPER PROCESSING

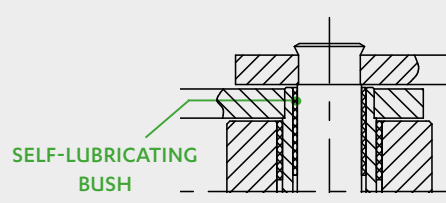
5408-26





SEDIS solution

DELTA VERTE® CHAIN



SELF-LUBRICATING BUSH

- Corrosion resistance in harsh environment
- Increased wear resistance (DELTA® pins)
- No contamination by lubrication oil
- Prevents maintenance