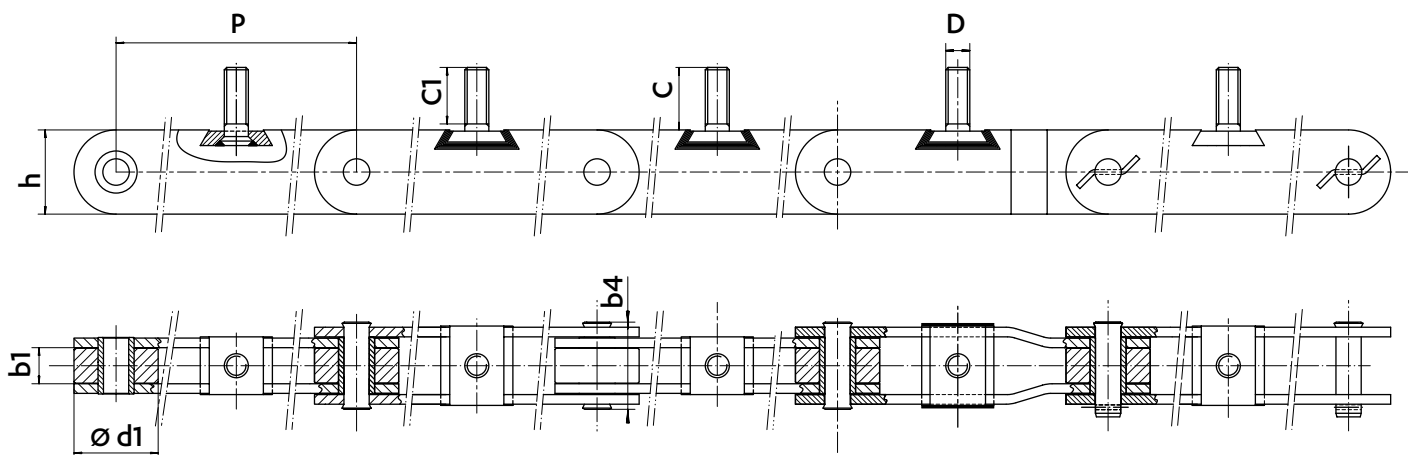


CHAINS FOR WATER TREATMENT



Dimensions in mm

CHAINS FOR ROTATING SCREENS



Chain ref	Pitch	Plate height h	Width between inner plates b1 min.	Pins b4	Wheels d1	Attachments			Flanged pins and bushes	Axial greasing	Plastic wheels	DELTA® HR version
	P					D	C1	C				
5462-18	300	60	27	58	50	M16	27	30	X	X		
5087-07	400	70	30	72,5	90	M20	30	47				
5087-08	400	70	30	72,5	70	M20	47	52				X
5087-09	400	70	30	92	70	M20	47	52		X		
5087-10	400	70	30	72,5	70	M20	47	52				X
5087-11	400	70	30	72,5	70	M20	47	52			X	X
5507-11	500	70	36	85	70	M24	40	52	X	X		
5507-12	500	70	36	85	100	M24	40	67	X	X		
5507-13	500	70	36	85	70	M24	40	52	X			X
5747-09	600	70	38	80	97	M20	35	60	X			X
5747-14	600	70	38	80	97	M20	35	60	X		X ^(*)	X
5747-15	600	70	38	80	97	M20	35	60	X		X ^(*)	

^(*): with a steel wheel every 10 pitches.

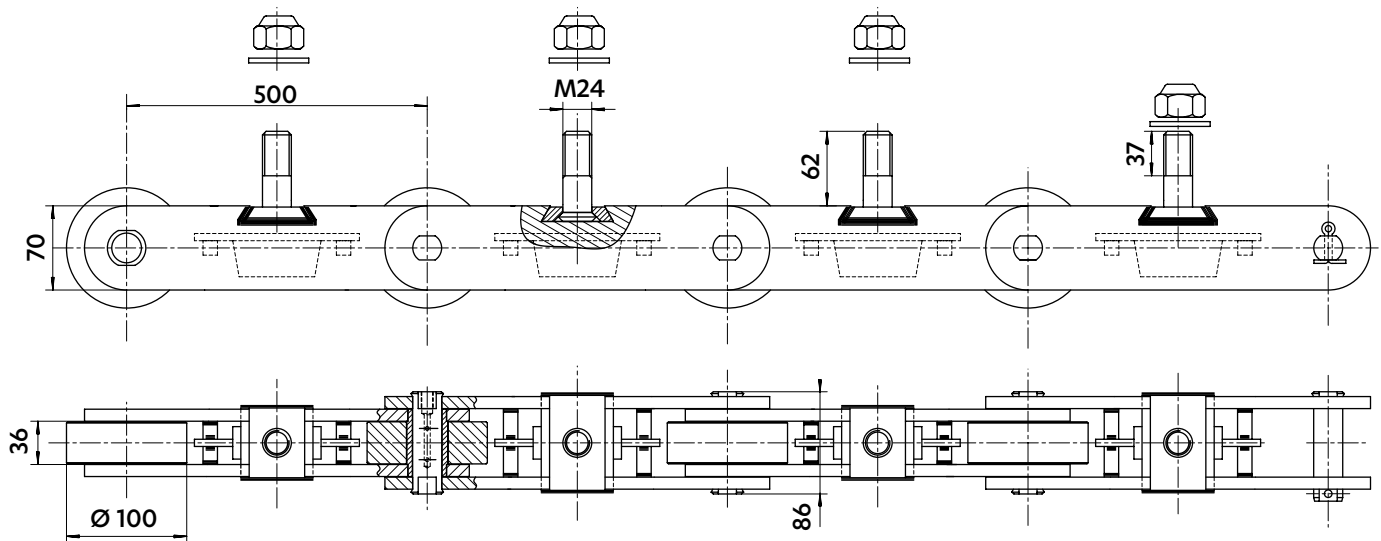
The chains can be protected against corrosion with zinc-plating or other treatment, to be precised.

Dimensions in mm

CHAINS FOR ROTATING SCREENS

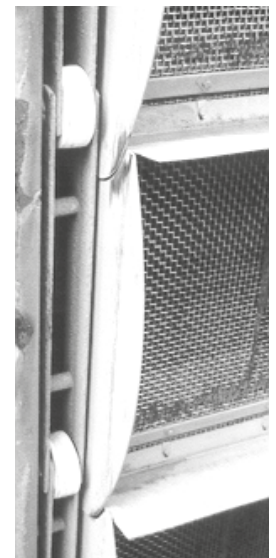
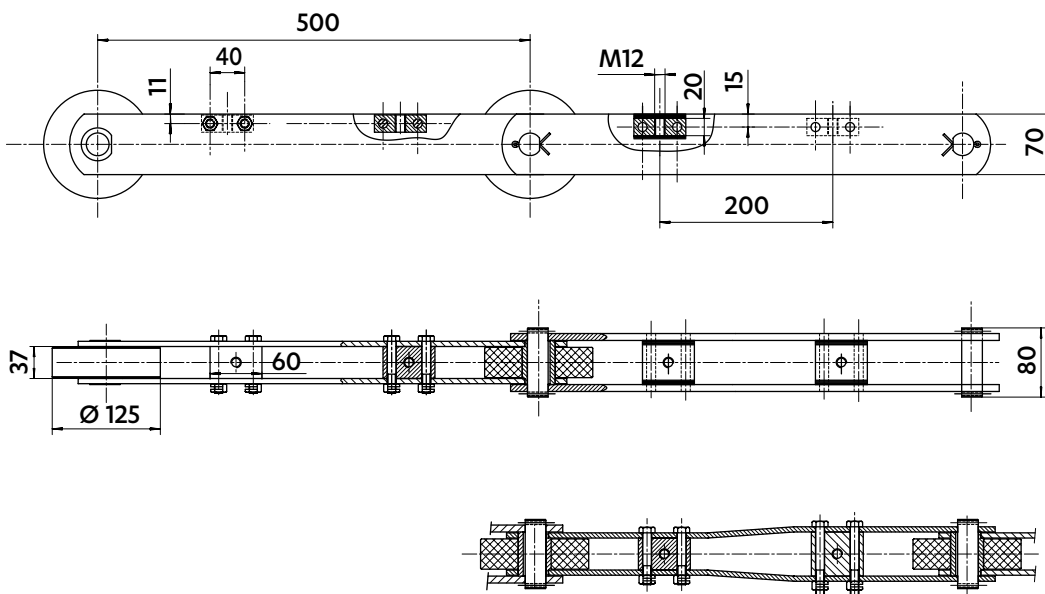
5507-09

Chain protected against corrosion



Chain in 316L stainless steel, fitted with plastic wheels

5507-14



CHAINS FOR WATER TREATMENT

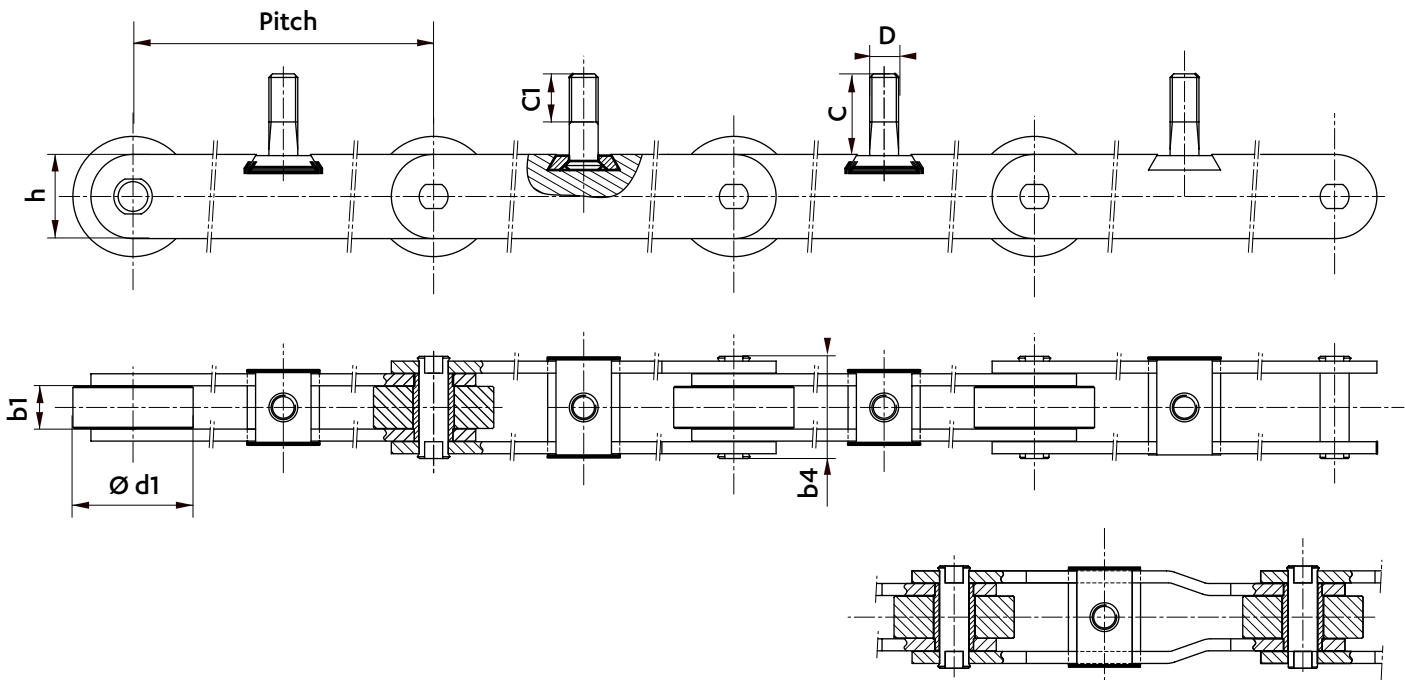
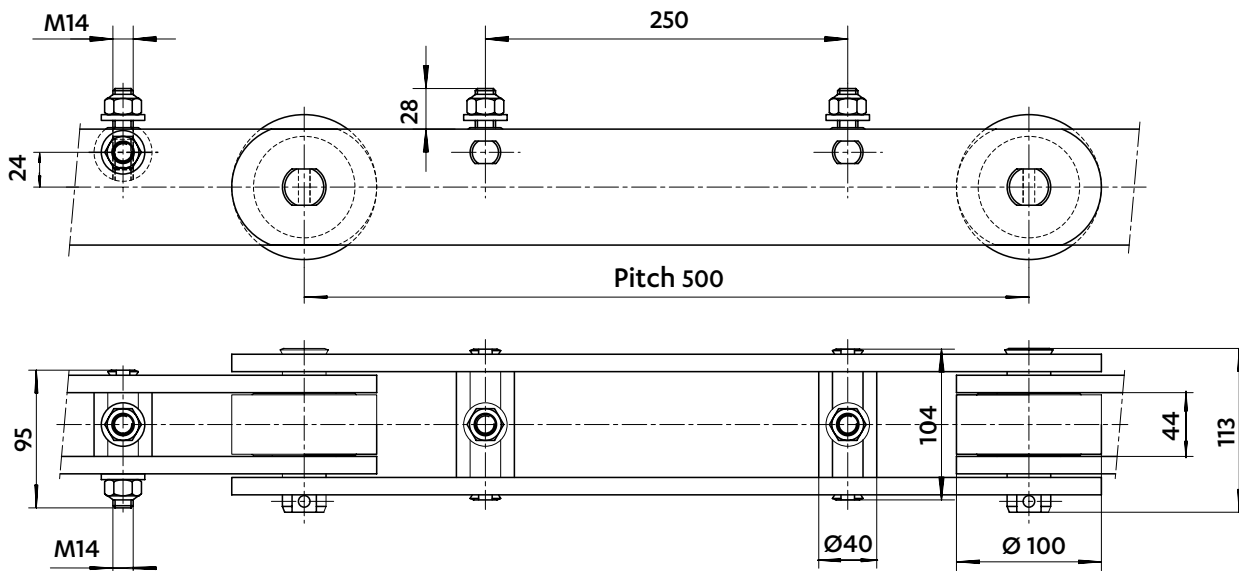


Dimensions in mm

CHAINS FOR ROTATING SCREENS

5507-05
Breaking load : 421 kN

Zinc-plated chain fitted with plastic wheels



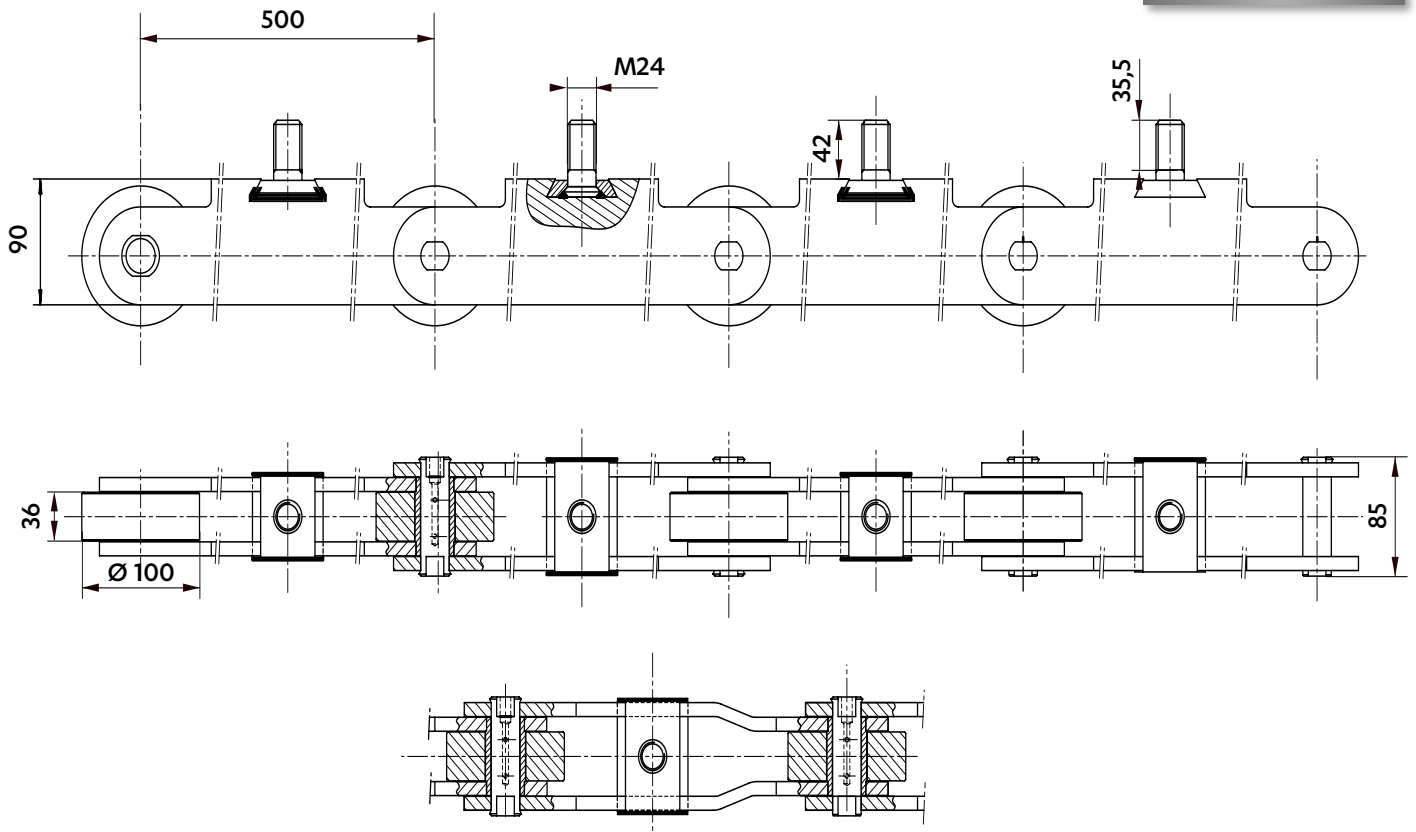
Chain ref	Pitch P	Plate height h	Width between inner plates b1 min.	Pins b4	Wheels d1	Attachments			Version DELTA® HR
						D	C1	C	
5507-04	500	90	36	83,5	84	M24	50	50	
5507-08	500	70	36	85	100	M24	40	67	x
5507-10	500	70	36	85	70	M24	40	51	x


Dimensions in mm

CHAINS FOR ROTATING SCREENS

5507-06
(without axial greasing)

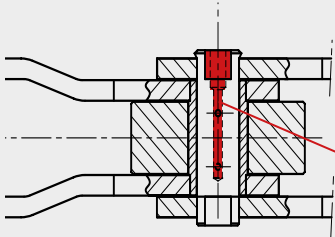
5507-07
(with axial greasing)





SEDIS solution

AXIAL GREASING



GREASE NIPPLE PIN

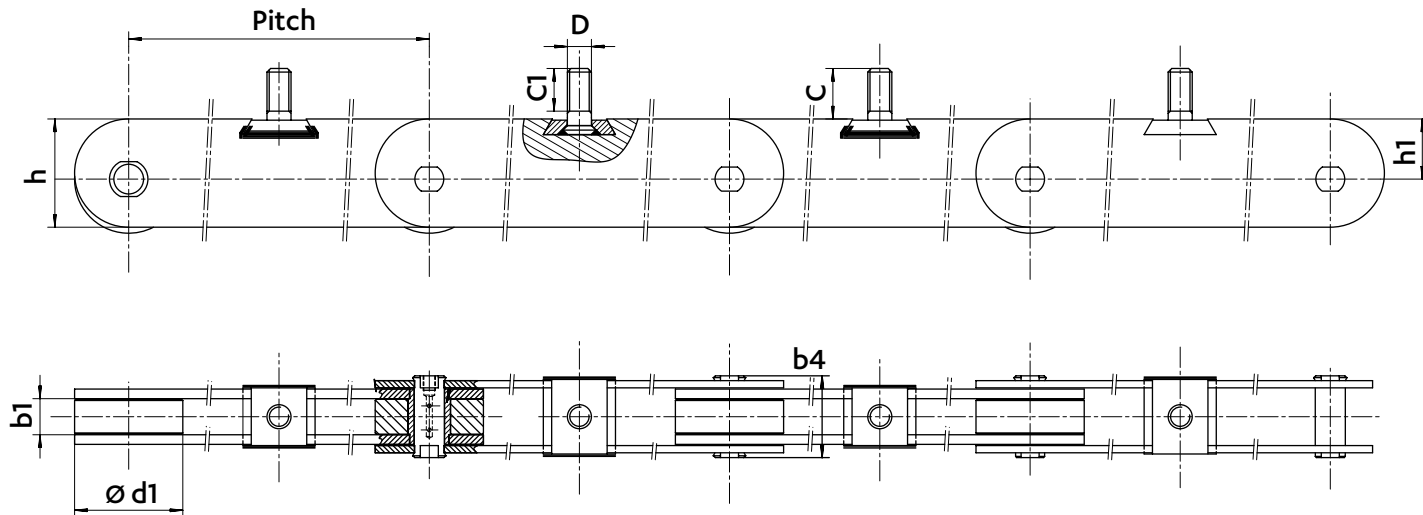
- Lubricates the articulation from inside
- Prevents maintenance
- Enhances the service life of the chain

CHAINS FOR WATER TREATMENT



Dimensions in mm

CHAINS FOR ROTATING SCREENS

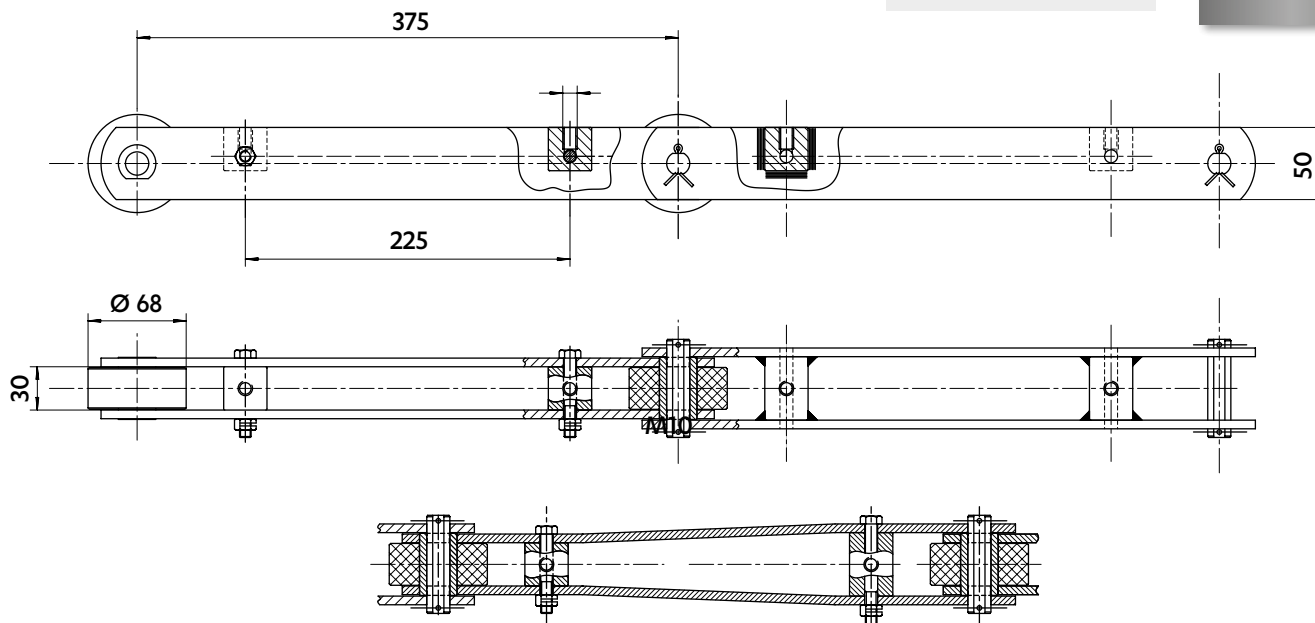


Chain ref	Pitch P	Total plate height h	height h1	Width between inner plates		Pins b4	Wheels d1	Attachments			Flanged pins and bushes	Axial greasing	DELTA® HR version
				b1 min.	b4			D	C1	C			
5747-07	600	90	50	30	68	90	M20	35,5	42	x	x		
5747-08				38	78			35	40	x	x		
5747-11				30	72			35,5	42	x	x		
5747-13				38	78			35	40	x		x	
5747-16				38	78			35	40	x	x		

The chains can be protected against corrosion with zinc-plating or other treatment, to be precised.

Zinc-plated plates

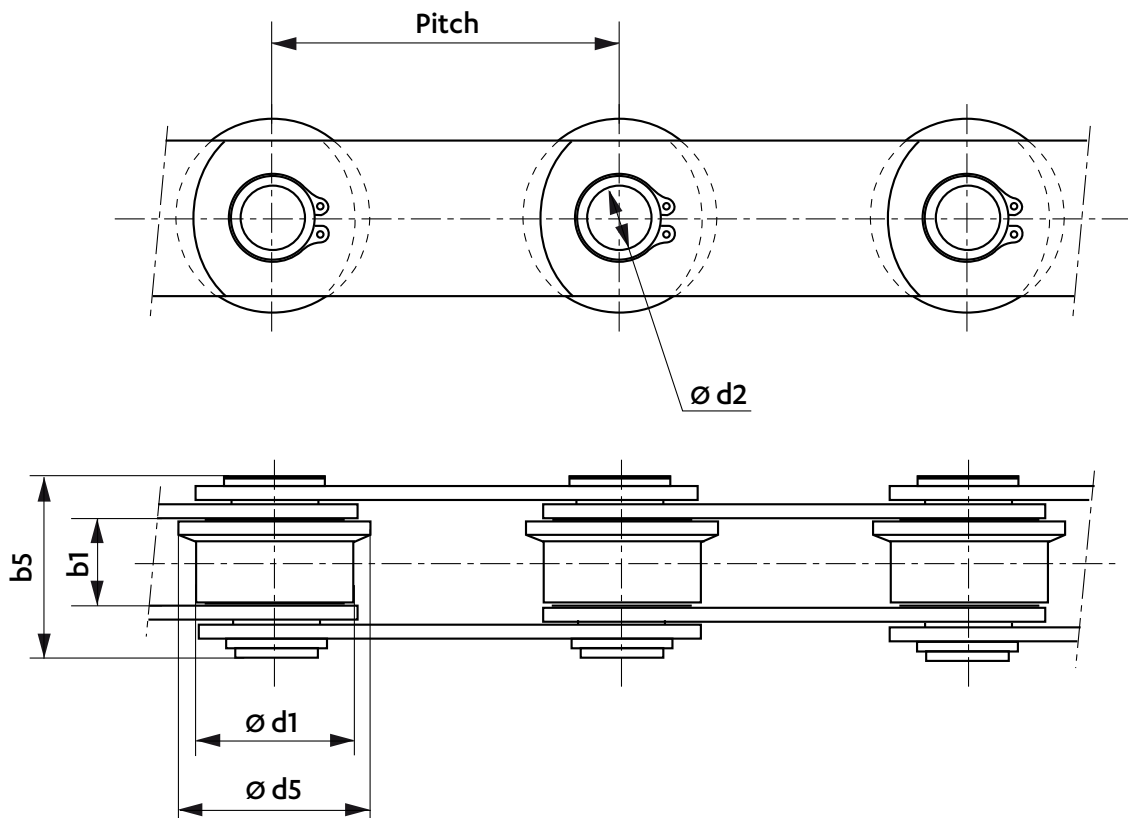
5910-01



Dimensions in mm

HOLLOW PIN CHAINS FOR BAR SCREENS

Chain entirely in stainless steel



Chain ref	Pitch	Width between inner plates b1 min.	Hollow pins		Wheels	
	p		d2	b5	d1	d5
5377-05	100	27	18,3	53	45	55
5308-10	200	43	35,5	59	75	90