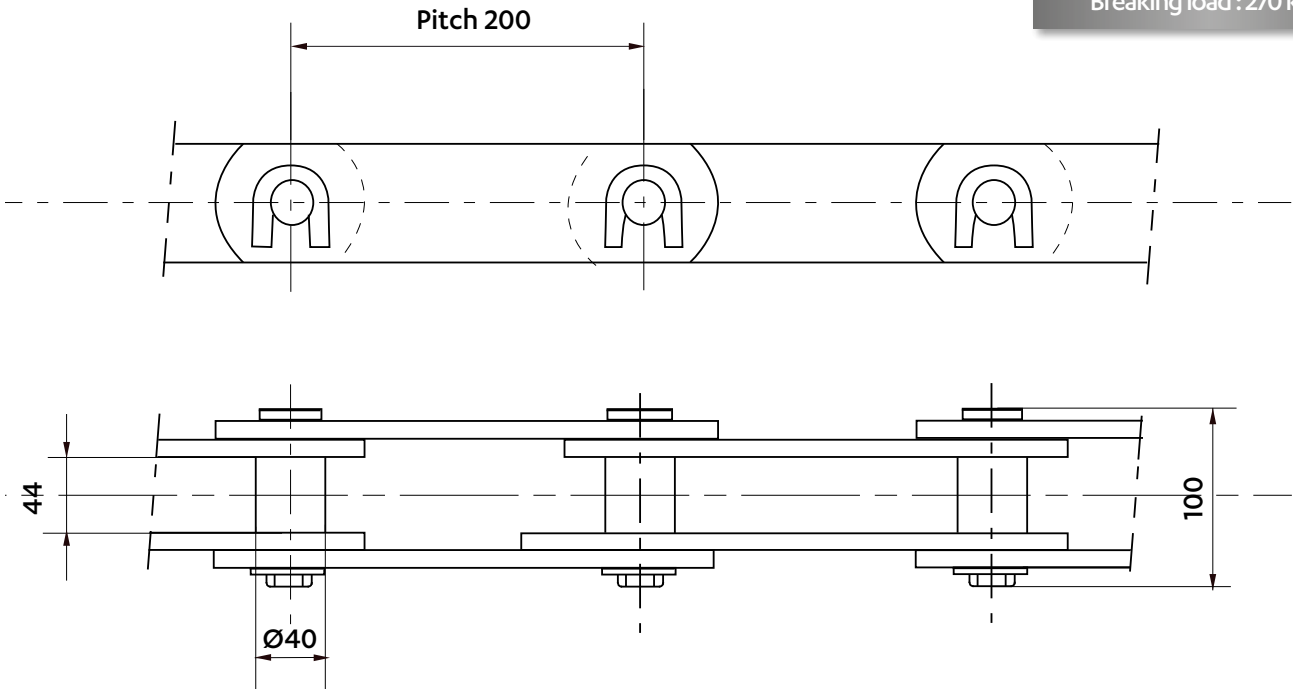


CHAINS FOR THE WOOD INDUSTRY

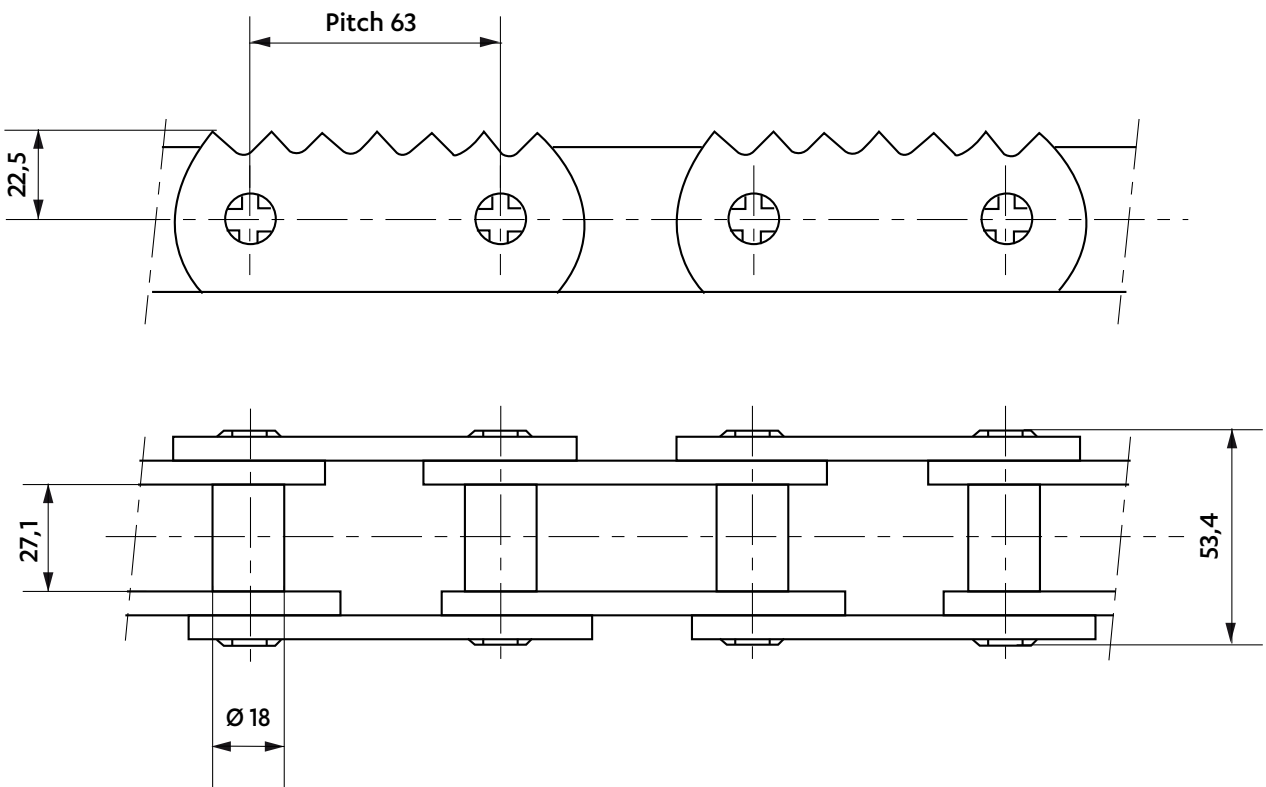
Dimensions in mm

TRANSPORT OF TIMBER LOGS

**5806-01**  
Breaking load : 270 kN



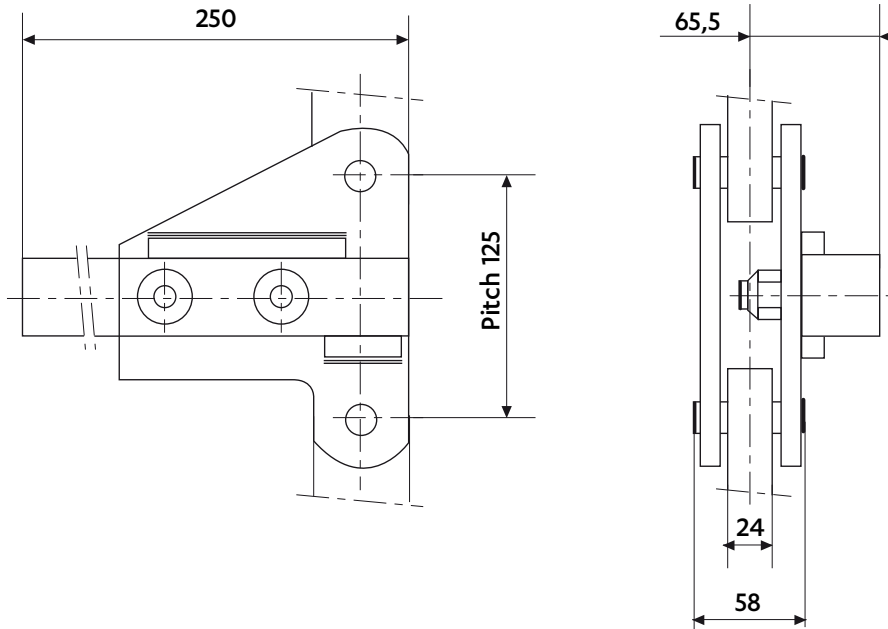
**5450-09**  
Breaking load : 80 kN



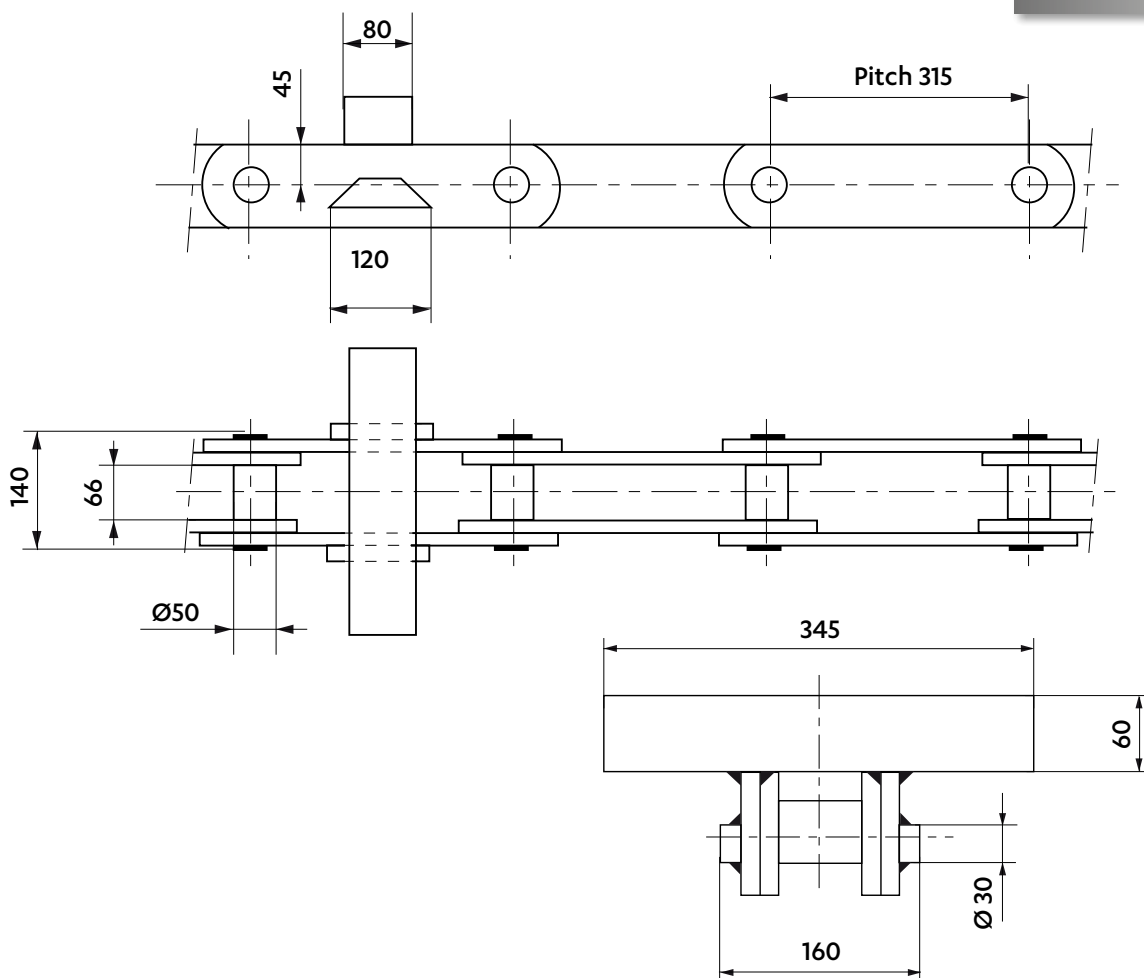
Dimensions in mm

**CHAINS FOR INCLINED TRANSPORT OF TIMBER LOGS**

**5741-01**  
Breaking load : 211 kN



**5478-04**  
Breaking load : 1000 kN



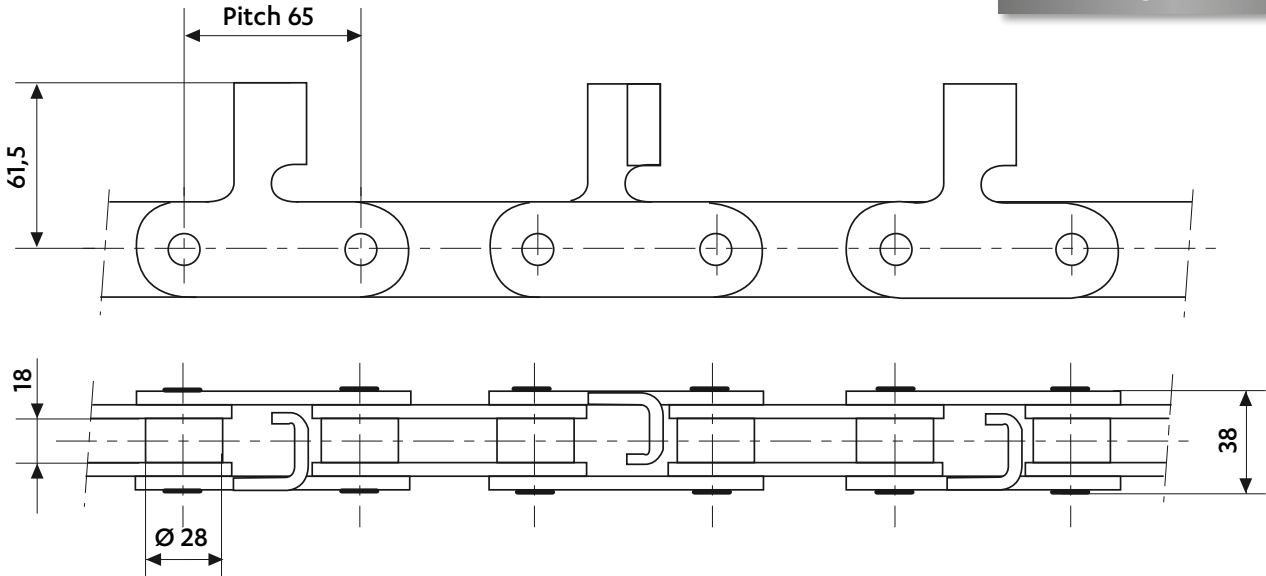
CHAINS FOR THE WOOD INDUSTRY

Dimensions in mm

CHAIN FOR DRYER LIFT

5728-01

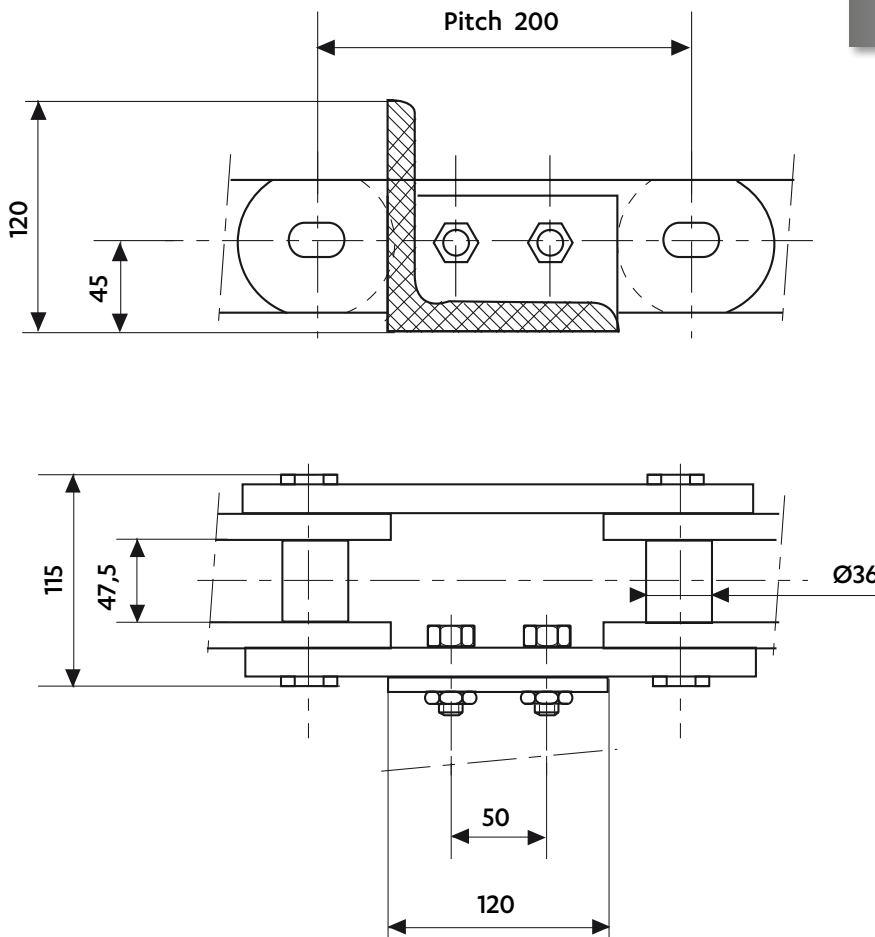
Breaking load : 62 kN



TWO STRAND APRON SCRAPER CHAIN FOR BARK CARRIER

5308-45

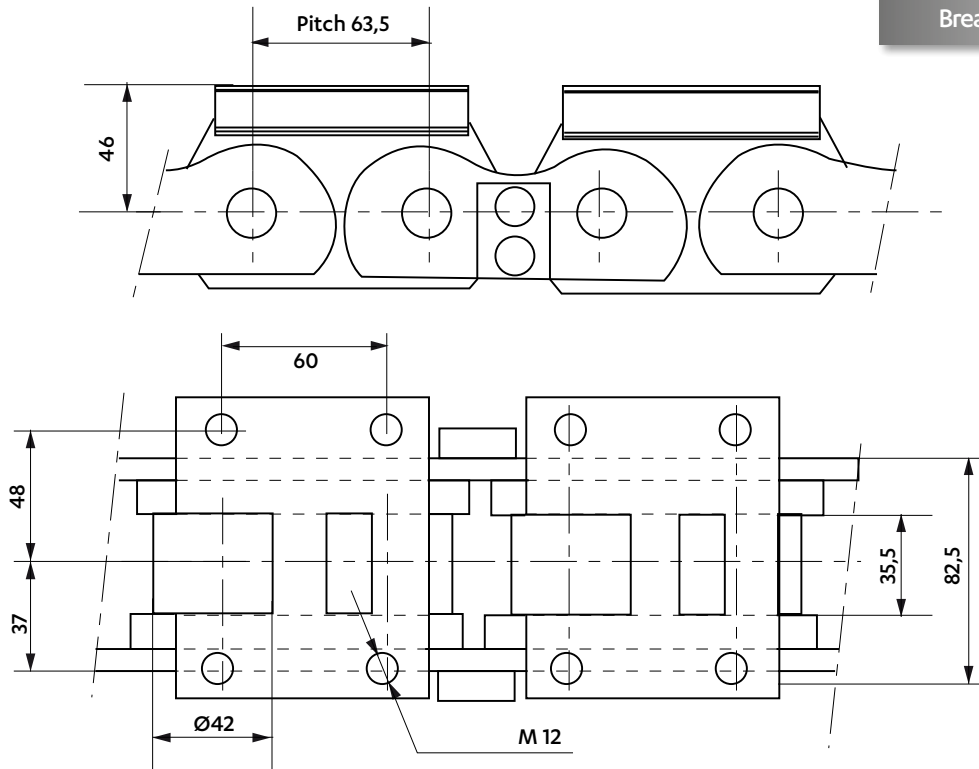
Breaking load : 500 kN



Dimensions in mm

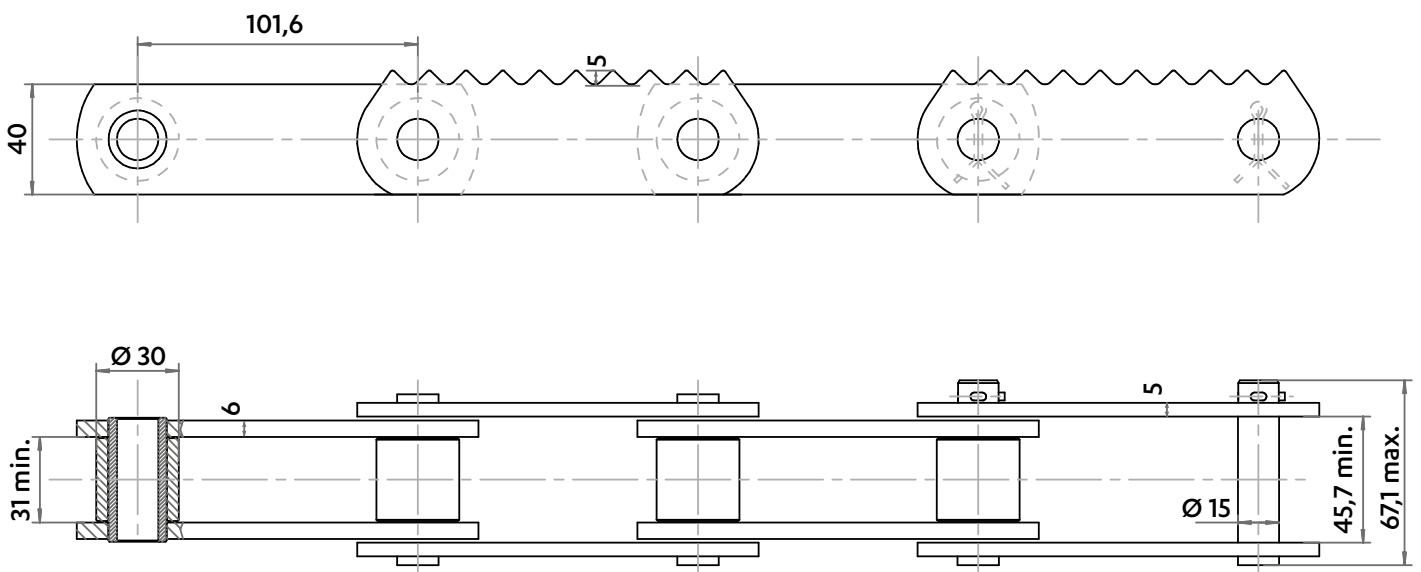
**CHAIN FOR DE-BARKING**

**5310-01**  
Breaking load : 333 kN



**CHAIN FOR SAWMILL**

**5999-04**

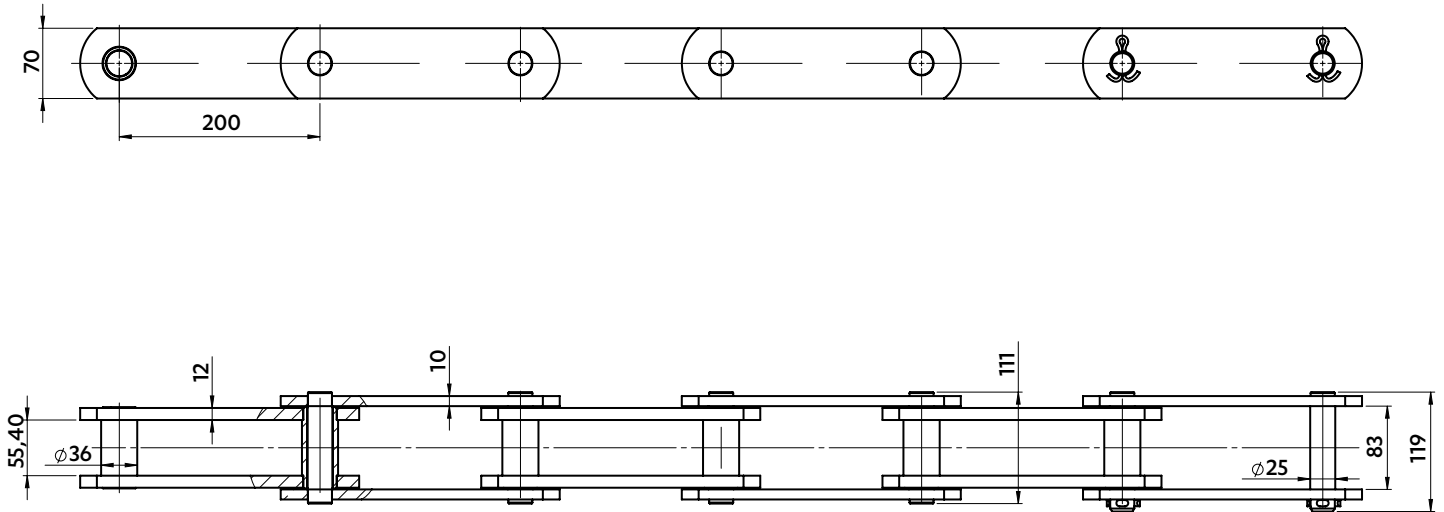


CHAINS FOR THE WOOD INDUSTRY

Dimensions in mm

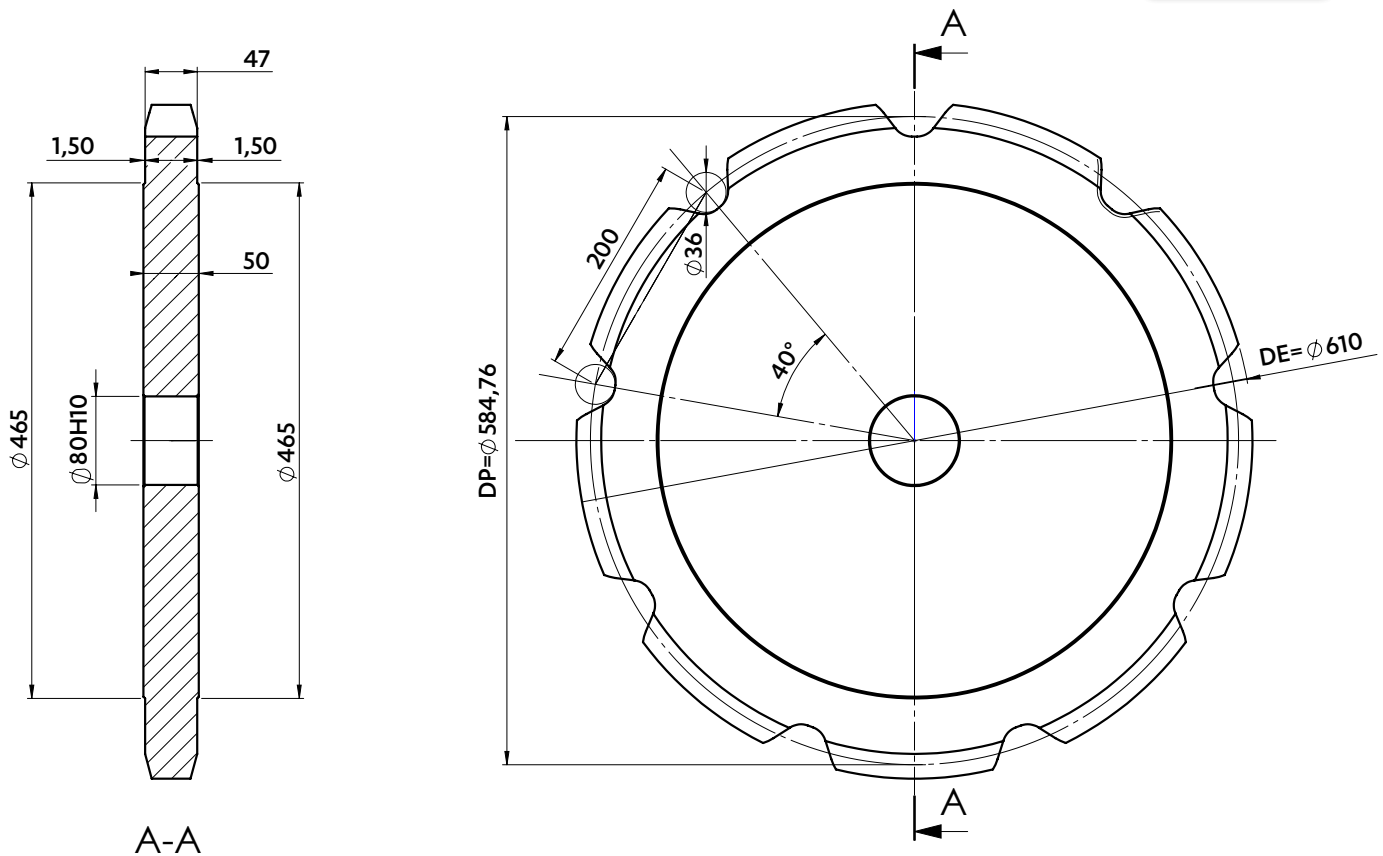
CHAIN FOR SAWMILL

5022-11



9 TOOTH WHEEL TO SUIT

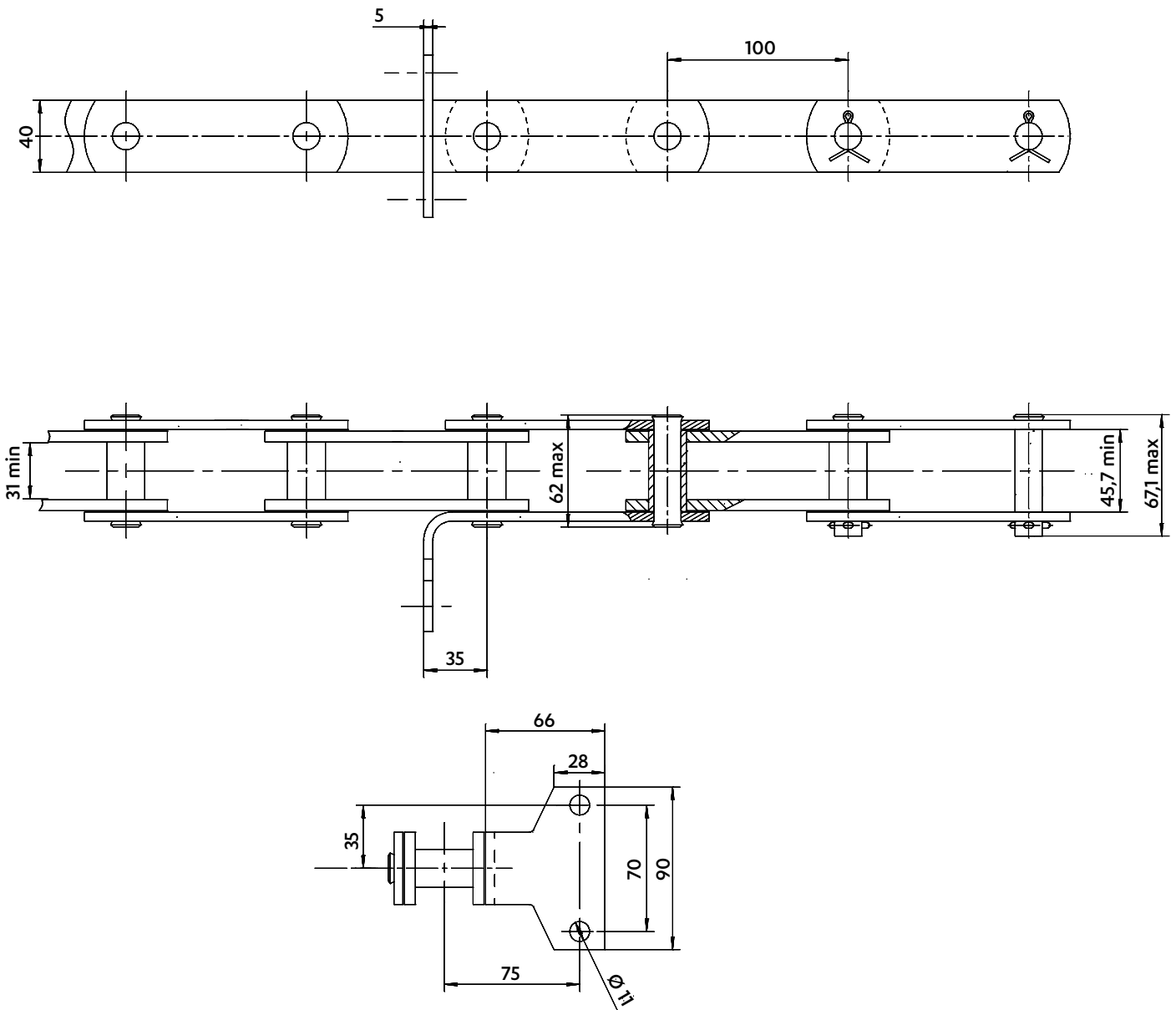
5022-11



Dimensions in mm

**CHAIN FOR SAWMILL**

**5271-82**  
Breaking load : 112 kN



M112 chain with special F2 attachments