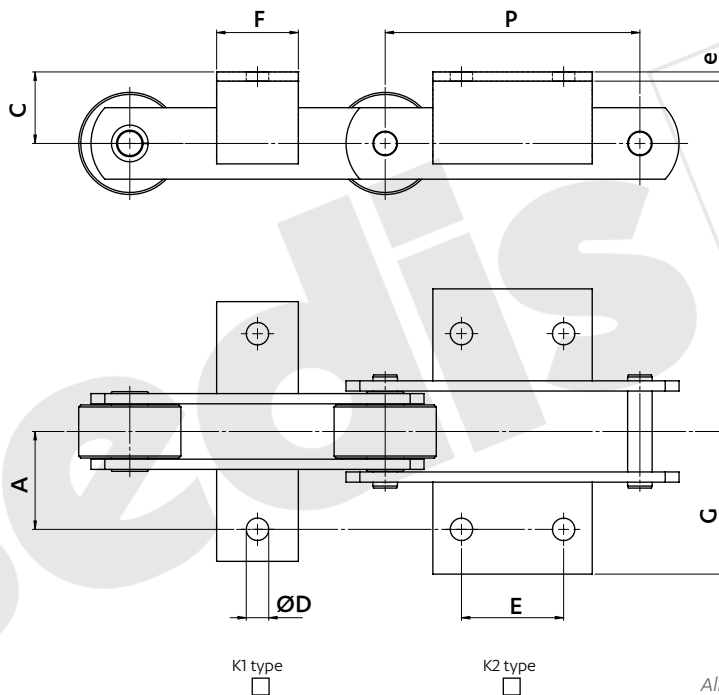


**CUSTOMER INFORMATION**

Company:	Name:	Date:
Email:	Phone:	Fax:

**«K» ATTACHMENTS SPECIFICATIONS**



All other types of K attachments on request

	Pitch	Plate thickness	Boring Ø	Distance between boring centers	Length of attachments	Transversal distance between pins	Overall width	Attachment height
	P	e	D	E	F	A	G	C
Customer request								
SEDIS Proposal								

2 chains functioning in parallel ?                       YES                       NO

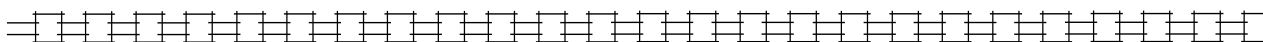
Special conditions of the application (environment, temperature...):

Attachments mounted on:                       Inner plates                       Outer plates                       Outer & inner plates  
 One side                       Both sides                       Every other side

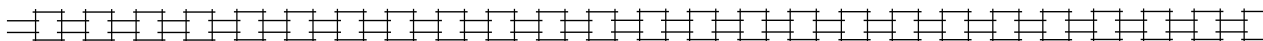
Frequency of attachments:

Or indicate the side and positioning of attachments on the drawing below:

Number of links



50



100