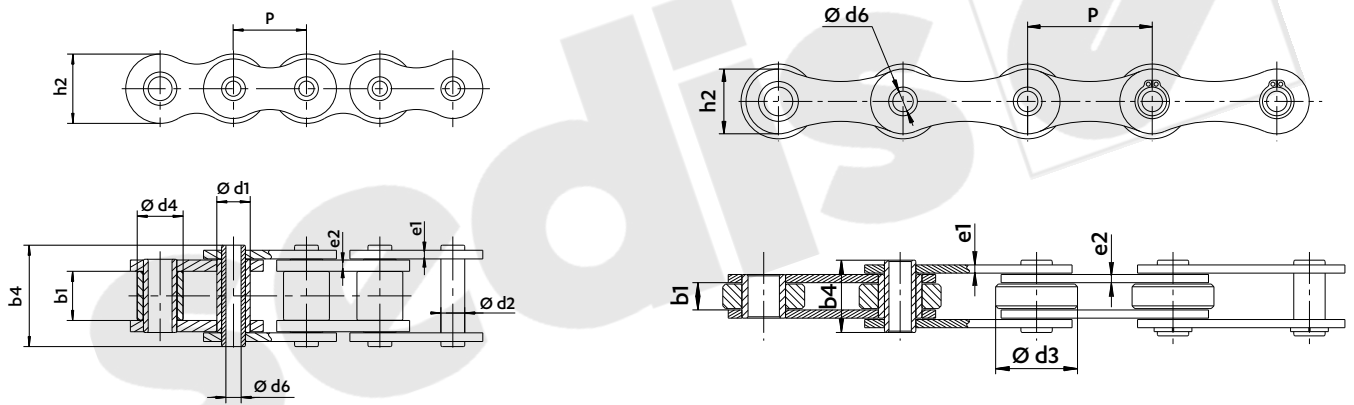


CUSTOMER INFORMATION

Company: _____ Date : _____ FILE N°: _____
 Name: _____ Email : _____ Phone: _____

CHAIN SPECIFICATIONS

Number of chains: _____
 Length of chain: Metres Number of links Feet



	P	d1 / d3 or d4 (to precise)	b1	d2	b6	b4	h2	e1	e2
Chain reference	Pitch mm	articulation Ø	Inner width min.	pin Ø max.	hollow pin bore Ø min.	width over riveted pins max.	Plate height max.	Outer plate thickness nom.	Inner plate thickness nom.
Customer request									
Proposal SEDIS	Minimum Breaking load (kN) =								
	Treatment =>								

Special conditions of the application (environment, temperature...):

CONNECTING LINKS

N° 205	N° 206	N° 208	N° 209	N° 216	N° 217	N° 221
External link to be riveted	Connecting link with spring clip	Cottered connecting link	Connecting link with self locking nuts	Single cranked cottered link	Single cranked link with self locking nuts	Double cranked link
Quantity <input type="text"/>	<input type="text"/>	<input type="text"/>	<input type="text"/>	<input type="text"/>	<input type="text"/>	<input type="text"/>