

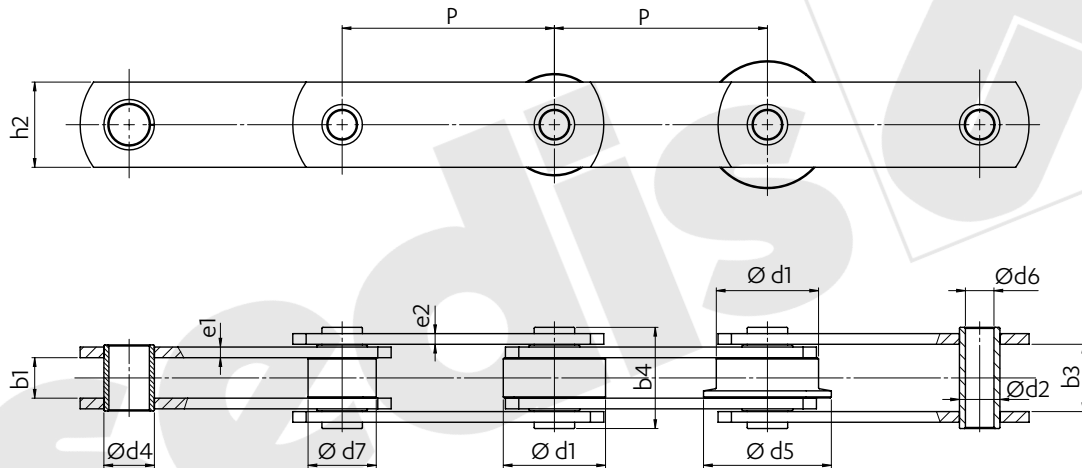
CUSTOMER INFORMATION

Company:	Name:	Date:
Email:	Phone:	Fax:

CHAIN SPECIFICATIONS

Number of chains: _____

Length of each chain: _____ Metres / Number of links / Feet



Chain reference	PLATES			PINS			ARTICULATION						
	P	b1	b3	h2	e1	e2	d2	d6	b4	d4	d7	d1	d5
	Pitch	Inner plates width	Outer plates width	Plates height	Inner plates thickness	Outer plates thickness	pin Ø	hollow pin inner Ø	Riveted length	Bush Ø	Small roller Ø	Plain roller Ø	Flanged roller Ø
mm	min.	min.	max.	nom.	nom.	max.	max.	max.	max.	max.	max.	max.	max.
Customer request													
SEDIS Proposal	Treatment =>												
	Minimum Breaking load (kN) =												

Special conditions of the application (environment, temperature...):

CONNECTING LINKS



External link to be riveted

Indicate the quantity



Cottered connecting link



Connecting link with self locking nuts