

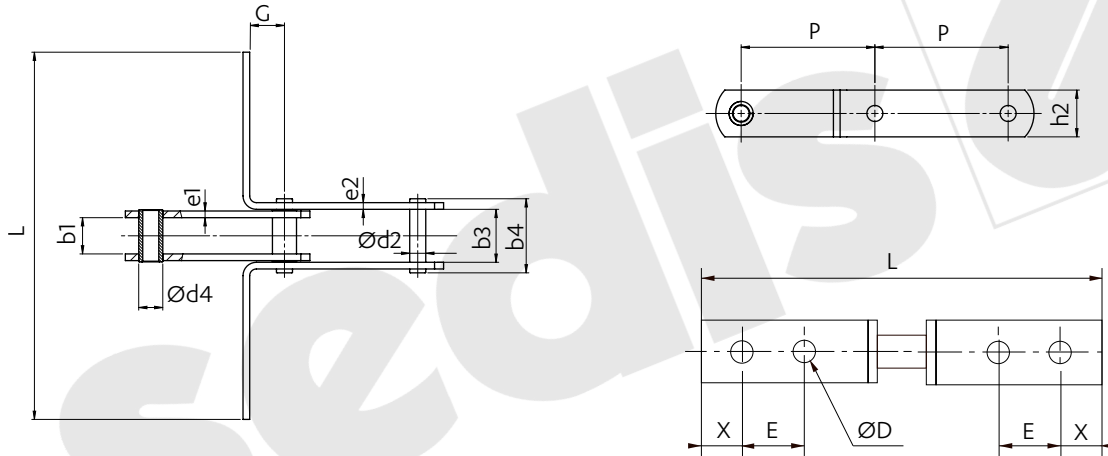
CUSTOMER INFORMATION

Company:	Name:	Date:
Email:	Phone:	Fax:

CHAIN SPECIFICATIONS

Number of chains: _____




Length of chain: _____ Metres / Number of links / Feet



Chain reference	P	b1	h2	PLATES		PINS		ARTICULATION	SCRAPERS	
	Pitch	Inner plates width	Plates height	Inner plates thickness	Outer plates thickness	pin Ø	Riveted length	Bush Ø	scraper bow	scraper width
	mm	min.	max.	nom.	nom.	max.	max.	max.	max.	max.
Customer request										
SEDIS Proposal	Treatment =>									
	Minimum Breaking load (kN) =									

Special conditions of the application (environment, temperature...):

CONNECTING LINKS

<div style="background-color: #333; color: white; padding: 2px; border-radius: 5px; width: fit-content; margin: 0 auto;">N° 205</div>  <p style="text-align: center; font-size: small;">External link to be riveted</p>	<div style="background-color: #333; color: white; padding: 2px; border-radius: 5px; width: fit-content; margin: 0 auto;">N° 208</div>  <p style="text-align: center; font-size: small;">Cottered connecting link</p>	<div style="background-color: #333; color: white; padding: 2px; border-radius: 5px; width: fit-content; margin: 0 auto;">N° 209</div>  <p style="text-align: center; font-size: small;">Connecting link with self locking nuts</p>
Indicate the quantity <input type="checkbox"/>	<input type="checkbox"/>	<input type="checkbox"/>