

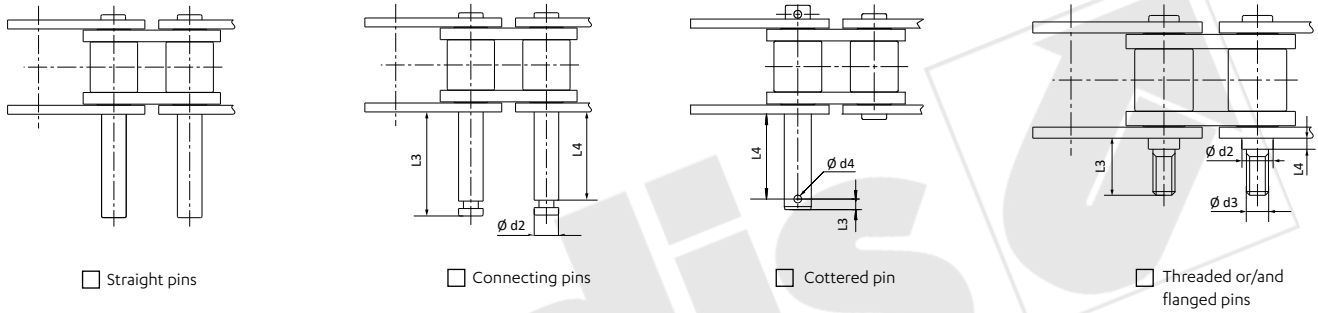
CUSTOMER INFORMATION

Company: _____ Date: _____ FILE N°: _____
 Name: _____ Email: _____ Phone: _____

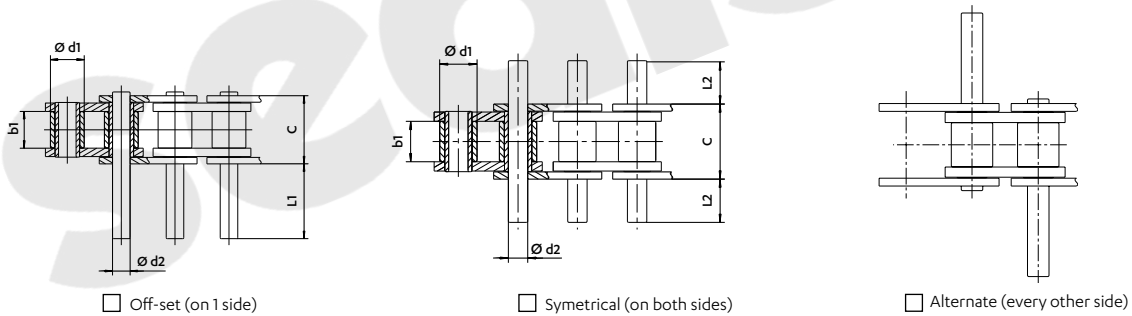
CHAIN SPECIFICATIONS

Number of chains: _____
 Length of chain: Metres Number of links Feet

TYPE OF EXTENDED PIN



MOUNTING



Customer request	Chain type	P Pitch mm	b1 Inner width min.	d1 roller Ø max.	C Outer plates width	EXTENDED PINS DIMENSIONS								
						d2 Extended pin Ø max.	L1	L2	Connecting/cottered/threaded/flanged pin					
									L3	L4	Ø d3	Ø d4 or thread		
SEDIS proposal														
	Minimum breaking load Rr (kN) = _____													
	Treatment => _____													

2 chains functioning in parallel? YES NO

Special conditions (environment, temperature...): _____

Frequency of extended pins:

Or indicate the side and positioning on the drawing

_____ 50 Number of links

_____ 100 Number of links