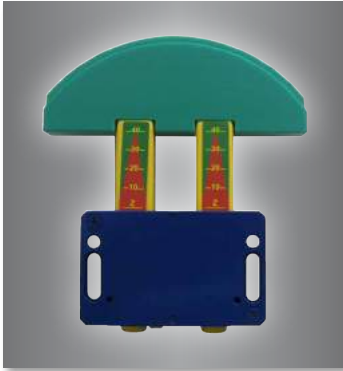
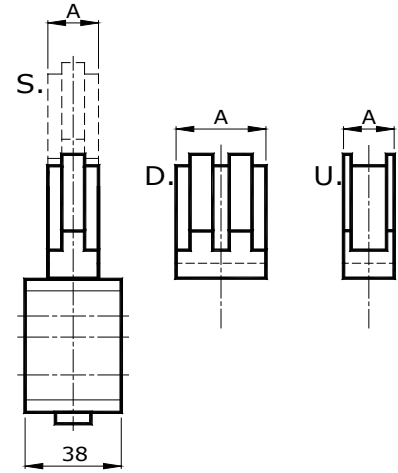
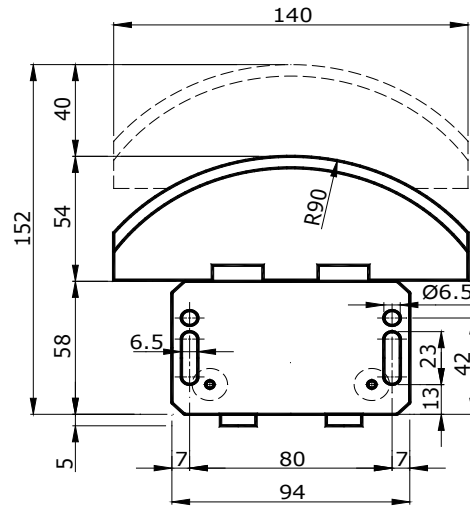



COMPLETE AXIAL TENSIONERS TAD + SLIDING BLOCK PG


Type TADZ with spring in galvanized steel
Type TADX with spring in stainless steel



Chain DIN 8187 ISO	With galvanized spring			With stainless steel spring			
	TADZ+PG	TADZ	PG	TADX	TADX+PG		
≤06-B1	≤3/8"x7/32"	TAD10ZPG1U	TAD 10 Z	PG U	20	TAD 10 X	TAD10XPG1U
08-B1	1/2"x5/16"	TAD10ZPG2S	TAD 10 Z	PG 2 S	20	TAD 10 X	TAD10XPG2S
08-B1	1/2"x5/16"	TAD20ZPG2S	TAD 20 Z	PG 2 S	20	TAD 20 X	TAD20XPG2S
10-B1	5/8"x3/8"	TAD10ZPG3S	TAD 10 Z	PG 3 S	20	TAD 10 X	TAD10XPG3S
10-B1	5/8"x3/8"	TAD20ZPG3S	TAD 20 Z	PG 3 S	20	TAD 20 X	TAD20XPG3S
10-B1	5/8"x3/8"	TAD30ZPG3S	TAD 30 Z	PG 3 S	20	TAD 30 X	TAD30XPG3S
12-B1	3/4"x7/16"	TAD10ZPG4S	TAD 10 Z	PG 4 S	20	TAD 10 X	TAD20XPG4S
12-B1	3/4"x7/16"	TAD20ZPG4S	TAD 20 Z	PG 4 S	20	TAD 20 X	TAD20XPG4S
12-B1	3/4"x7/16"	TAD30ZPG4S	TAD 30 Z	PG 4 S	20	TAD 30 X	TAD30XPG4S
16-B1	1"x17,02mm	TAD30ZPG5S	TAD 30 Z	PG 5 S	20	TAD 30 X	TAD30XPG5S
16-B1	1"x17,02mm	TAD40ZPG5S	TAD 40 Z	PG 5 S	20	TAD 40 X	TAD40XPG5S
05-B2	8mm	TAD10ZPG0D	TAD 10 Z	PG 0 D	20	TAD 10 X	TAD10XPG0D
06-B2	3/8"x7/32"	TAD10ZPG1D	TAD 10 Z	PG 1 D	20	TAD 10 X	TAD10XPG1D
06-B2	3/8"x7/32"	TAD20ZPG1D	TAD 20 Z	PG 1 D	20	TAD 20 X	TAD20XPG1D
08-B2	1/2"x5/16"	TAD20ZPG2D	TAD 20 Z	PG 2 D	20	TAD 20 X	TAD20XPG2D
10-B2	5/8"x3/8"	TAD20ZPG3D	TAD 20 Z	PG 3 D	25	TAD 20 X	TAD20XPG3D
10-B2	5/8"x3/8"	TAD30ZPG3D	TAD 30 Z	PG 3 D	25	TAD 30 X	TAD30XPG3D
12-B2	3/4"x7/16"	TAD20ZPG4D	TAD 20 Z	PG 4 D	30	TAD 20 X	TAD20XPG4D
12-B2	3/4"x7/16"	TAD30ZPG4D	TAD 30 Z	PG 4 D	30	TAG 30 X	TAD30XPG4D

Triplex chain tensioners only on request.