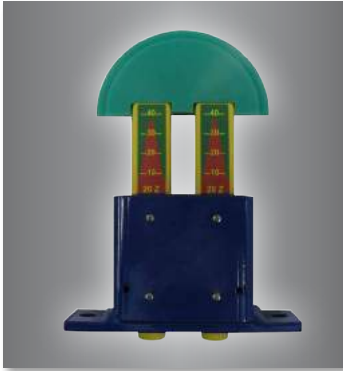
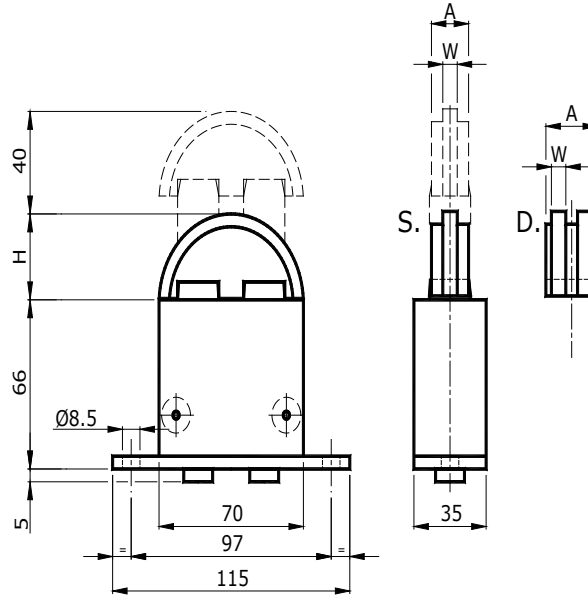



COMPLETE AXIAL TENSIONERS TBD + SLIDING BLOCK PV


Type TBDZ with spring in galvanized steel
 Type TBDX with spring in stainless steel



Chain DIN 8187 ISO	With galvanized spring			PV	With stainless steel spring			
	TBDZ + PV	TBDZ			TBDX + PV	TBDX		
				A	H	W		
06-B1 3/8"x7/32"	TBD10ZPV1S	TBD 10 Z	PV 1 S	18	33	5	TBD 10 X	TBD10XPV1S
06-B1 3/8"x7/32"	TBD20ZPV1S	TBD 20 Z	PV 1 S	18	33	5	TBD 20 X	TBD20XPV1S
08-B1 1/2"x5/16"	TBD10ZPV2S	TBD 10 Z	PV 2 S	18	33	7	TBD 10 X	TBD10XPV2S
08-B1 1/2"x5/16"	TBD20ZPV2S	TBD 20 Z	PV 2 S	18	33	7	TBD 20 X	TBD20XPV2S
10-B1 5/8"x3/8"	TBD20ZPV3S	TBD 20 Z	PV 3 S	18	43	9	TBD 20 X	TBD20XPV3S
10-B1 5/8"x3/8"	TBD30ZPV3S	TBD 30 Z	PV 3 S	18	43	9	TBD 30 X	TBD30XPV3S
12-B1 3/4"x7/16"	TBD20ZPV4S	TBD 20 Z	PV 4 S	18	43	11	TBD 20 X	TBD20XPV4S
12-B1 3/4"x7/16"	TBD30ZPV4S	TBD 30 Z	PV 4 S	18	43	11	TBD 30 X	TBD30XPV4S
06-B2 3/8"x7/32"	TBD10ZPV1D	TBD 10 Z	PV 1 D	18	43	5	TBD 10 X	TBD10XPV1D
06-B2 3/8"x7/32"	TBD20ZPV1D	TBD 20 Z	PV 1 D	18	33	5	TBD 20 X	TBD20XPV1D
08-B2 1/2"x5/16"	TBD20ZPV2D	TBD 20 Z	PV 2 D	21	43	7	TBD 20 X	TBD20XPV2D
10-B2 5/8"x3/8"	TBD20ZPV3D	TBD 20 Z	PV 3 D	25	43	9	TBD 20 X	TBD20XPV3D
10-B2 5/8"x3/8"	TBD30ZPV3D	TBD 30 Z	PV 3 D	25	43	9	TBD 30 X	TBD30XPV3D
12-B2 3/4"x7/16"	TBD30ZPV4D	TBD 30 Z	PV 4 D	30	43	11	TBD 30 X	TBD30XPV4D

Triplex chain tensioners only on request.