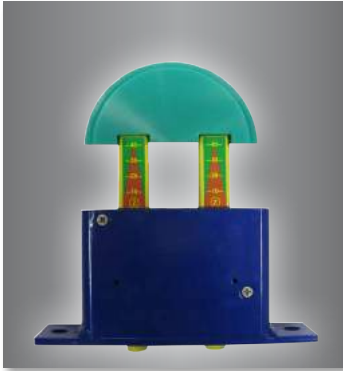
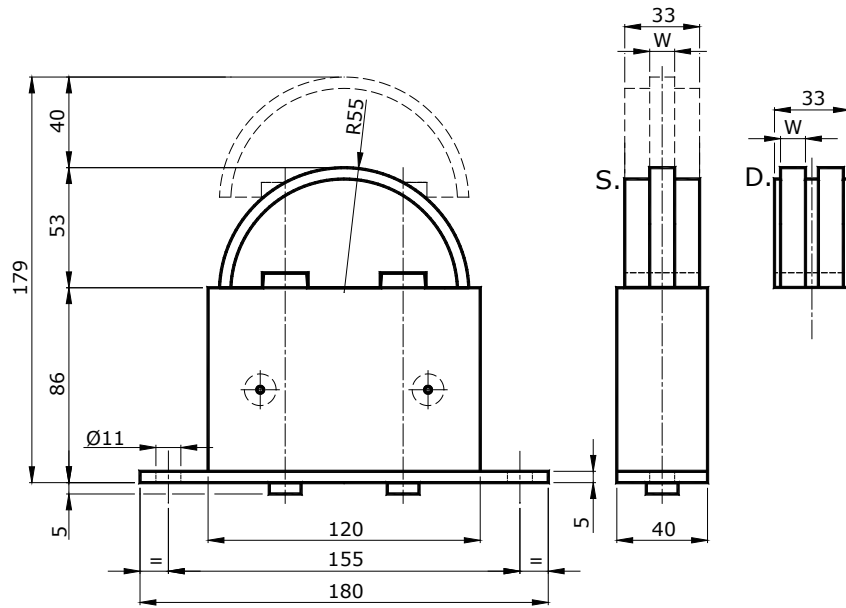




COMPLETE AXIAL TENSIONERS TCD + SLIDING BLOCK QV



Type TCDZ with spring in galvanized steel
 Type TCDX with spring in stainless steel



		With galvanized spring			With stainless steel spring		
Chain DIN 8187 ISO		TCDZ + QV	TCDZ	QV	TCDX	TCDX + QV	
12-B1	3/4"x7/16"	TCD20ZQV4S	TCD 20 Z	QV 4 S	11	TCD 20 X	TCD20XQV4S
12-B1	3/4"x7/16"	TCD30ZQV4S	TCD 30 Z	QV 4 S	11	TCD 30 X	TCD30XQV4S
16-B1	1"x17,02mm	TCD30ZQV5S	TCD 30 Z	QV 5 S	16	TCD 30 X	TCD30XQV5S
16-B1	1"x17,02mm	TCD40ZQV5S	TCD 40 Z	QV 5 S	16	TCD 40 X	TCD40XQV5S
08-B2	1/2"x5/16"	TCD20ZQV2D	TCD 20 Z	QV 2 D	7	TCD 20 X	TCD20XQV2D
10-B2	5/8"x3/8"	TCD20ZQV3D	TCD 20 Z	QV 3 D	9	TCD 20 X	TCD20XQV3D
10-B2	5/8"x3/8"	TCD30ZQV3D	TCD 30 Z	QV 3 D	9	TCD 30 X	TCD30XQV3D
12-B2	3/4"x7/16"	TCD30ZQV4D	TCD 30 Z	QV 4 D	11	TCD 30 X	TCD30XQV4D

Triplex chain tensioners only on request.