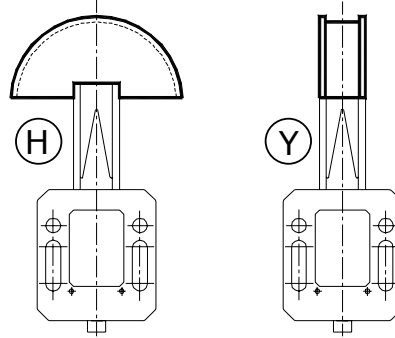



KIT FOR CHAIN TENSIONERS - POLYETHYLENE SLIDING BLOCK- TYPE PF


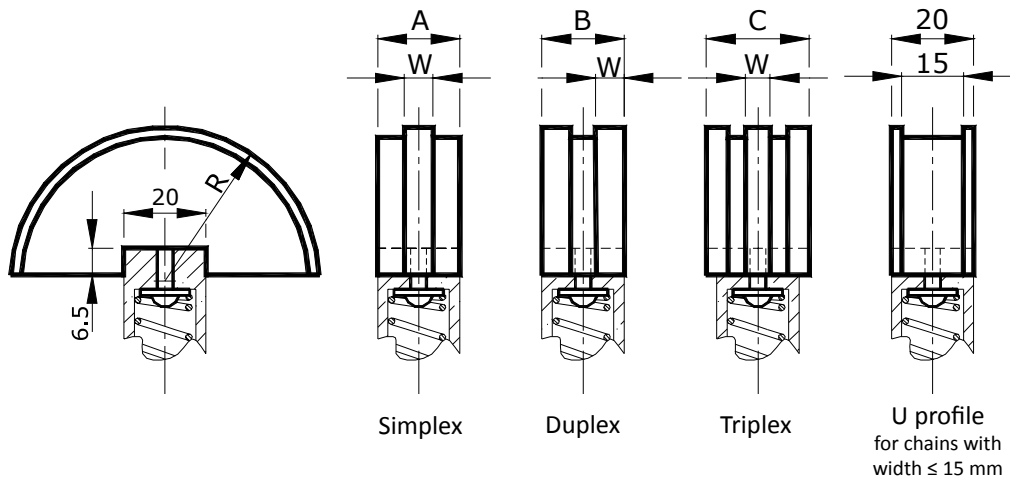
Positioning of the sliding block

Material : Polyethylene sliding block with high molecular density with bolts and nuts in stainless steel.

Use : Operating speed $\leq 20\text{m/min}$.
Sliding block operating temperature $\leq 70^\circ\text{C}$.

It is suitable for reduced interaxis.

Please precise the positioning of the sliding block (H or Y), by default it will be supplied with H execution.



Sliding block reference				Chain	Size	Kg								
Simplex Reference	Duplex Reference	Triplex Reference	U profile Reference			R	A	B	C	W	Simplex	Duplex	Triplex	U profile
PF AS			PF AU	6 mm	10	37,5	20		2,3	0,03			0,03	
PF OS	PF OD		PF AU	8 mm	10	37,5	20	20	2,5	0,03	0,03		0,03	
		PF OT		8 mm	20	37,5		20	2,5			0,04		
		PF OT		8 mm	30	37,5		20	2,5			0,04		
PF 1S	PF 1D		PF AU	3/8"x7/32"	10	37,5	20	20	5	0,03	0,03		0,03	
PF 1S	PF 1D	PF 1T	PF AU	3/8"x7/32"	20	37,5	20	20	25	5	0,03	0,03	0,04	0,03
		PF 1T		3/8"x7/32"	30	37,5		25	5			0,04		
PF 2S	PF 2D			1/2"x5/16"	20	37,5	20	20	7	0,03	0,04			
PF 2S	PF 2D			1/2"x5/16"	30	37,5	20	20	7	0,03	0,04			
PF 3S				5/8"x3/8"	20	40	20		9	0,04				
PF 3S	PF 3D			5/8"x3/8"	30	40	20	25	9	0,04	0,08			
PF 4S				3/4"x7/16"	30	40	20		11	0,05				

This product will be supplied as a KIT : Axial tightener on one side / sliding block on the other side