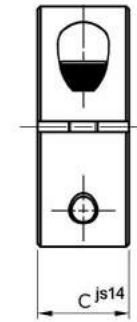
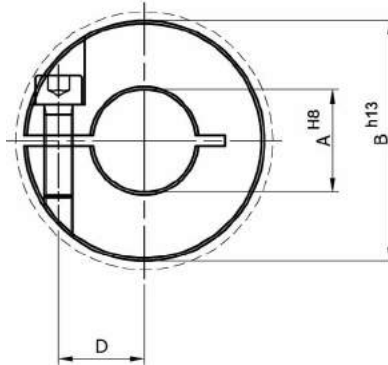




## SPLIT SHAFT COLLARS IN 1 PART



Reference	A	B	C	D	Screw	Kg
BAG 4 / 1 ..	4	16	9	5,5	M3 x 8	0,011
BAG 5 / 1 ..	5	16	9	5,5	M3 x 8	0,010
BAG 6 / 1 ..	6	16	9	5,5	M3 x 8	0,010
BAG 8 / 1 ..	8	18	9	6,5	M3 x 8	0,012
BAG 10 / 1 ..	10	24	9	8,5	M3 x 8	0,022
BAG 12 / 1 ..	12	28	11	10,0	M4 x 12	0,038
BAG 14 / 1 ..	14	30	11	11,0	M4 x 12	0,042
BAG 15 / 1 ..	15	34	13	12,5	M5 x 14	0,065
BAG 16 / 1 ..	16	34	13	12,5	M5 x 14	0,063
BAG 18 / 1 ..	18	36	13	13,5	M5 x 14	0,069
BAG 19 / 1 ..	19	40	15	14,7	M6 x 16	0,100
BAG 20 / 1 ..	20	40	15	14,7	M6 x 16	0,097
BAG 22 / 1 ..	22	42	15	16,0	M6 x 16	0,103
BAG 23 / 1 ..	23	45	15	17,5	M6 x 16	0,122
BAG 24 / 1 ..	24	45	15	17,5	M6 x 16	0,117
BAG 25 / 1 ..	25	45	15	17,5	M6 x 16	0,114
BAG 26 / 1 ..	26	48	15	19,0	M6 x 18	0,133
BAG 28 / 1 ..	28	48	15	19,0	M6 x 18	0,123
BAG 30 / 1 ..	30	54	15	21,5	M6 x 18	0,163
BAG 32 / 1 ..	32	54	15	21,5	M6 x 18	0,156
BAG 35 / 1 ..	35	57	15	23,2	M6 x 18	0,171
BAG 36 / 1 ..	36	57	15	23,2	M6 x 18	0,163
BAG 38 / 1 ..	38	60	15	25,0	M6 x 18	0,178
BAG 40 / 1 ..	40	60	15	25,0	M6 x 18	0,163
BAG 45 / 1 ..	45	73	19	29,5	M8 x 25	0,344
BAG 48 / 1 ..	48	78	19	32,0	M8 x 25	0,392
BAG 50 / 1 ..	50	78	19	32,0	M8 x 25	0,370
BAG 55 / 1 ..	55	82	19	34,2	M8 x 25	0,380
BAG 60 / 1 ..	60	88	19	37,0	M8 x 25	0,425
BAG 70 / 1 ..	70	98	19	42,0	M8 x 25	0,480
BAG 80 / 1 ..	80	108	19	47,0	M8 x 25	0,535

.. add PH for phosphatised steel / ZN for galvanized steel / IN for stainless steel