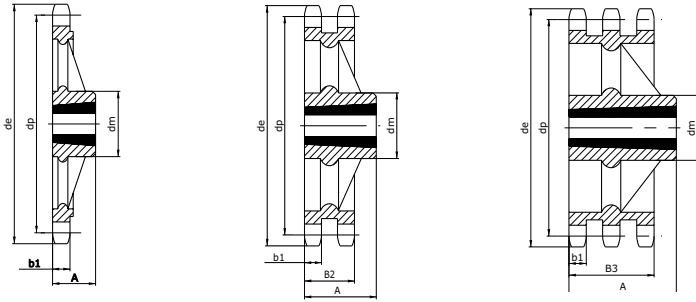


Cast iron platewheels for simplex, duplex and triplex roller chains as per standards: DIN 8187 - ISO 606.



Dimensions in mm

TAPER-LOCK CAST IRON PLATEWHEELS - 06B

B1	B2	B3	b1
5,3	15,4	25,6	5,2

PITCH : 3/8" x 7/32"
PITCH : 9,525 x 5,72 mm

Z	Reference	de	dp	SIMPLEX				DUPLEX				TRIPLEX			
				dm*	A*	Bush	Kg	dm*	A*	Bush	Kg	dm*	A*	Bush	Kg
38	F..MA06B038	119,50	115,34	70	25	1210	1,00	80	25	1610	1,50	90	38	1615	2,00
45	F..MA06B045	140,70	136,55	70	25	1210	1,50	80	25	1610	2,30				
57	F..MA06B057	176,90	172,91	70	25	1210	2,20	80	25	1610	2,90				
76	F..MA06B076	234,90	230,49	70	25	1210	2,90	80	25	1610	4,00				
95	F..MA06B095	292,50	288,08	80	25	1210	3,70	90	25	1610	6,20				
114	F..MA06B114	349,50	345,68	80	25	1210	5,60	95	38	1615	8,00				

On request

TAPER-LOCK CAST IRON PLATEWHEELS - 08B

B1	B2	B3	b1
7,2	21	34,9	7

PITCH : 1/2" x 5/16"
PITCH : 12,7 x 7,75 mm

Z	Reference	de	dp	SIMPLEX				DUPLEX				TRIPLEX			
				dm*	A*	Bush	Kg	dm*	A*	Bush	Kg	dm*	A*	Bush	Kg
38	F..MA08B038	158,60	153,80	90	32	2012	1,00	100	32	2012	1,90	-	34,9	2012	2,20
45	F..MA08B045	188,60	182,07	100	32	2012	1,60	100	32	2012	2,50				
57	F..MA08B057	236,40	230,54	100	32	2012	2,60	100	32	2012	3,60				
76	F..MA08B076	313,30	307,33	100	32	2012	3,60	100	32	2012	4,90				
95	F..MA08B095	390,10	384,11	100	32	2012	4,70	100	32	2012	6,50				
114	F..MA08B114	466,90	460,90	110	45	2517	8,30	110	45	2517	10,30				

On request

TAPER-LOCK CAST IRON PLATEWHEELS - 10B

B1	B2	B3	b1
9,1	25,5	42,1	9

PITCH : 5/8" x 3/8"
PITCH : 15,875 x 9,65 mm

Z	Reference	de	dp	SIMPLEX				DUPLEX				TRIPLEX			
				dm*	A*	Bush	Kg	dm*	A*	Bush	Kg	dm*	A*	Bush	Kg
38	F..MA10B038	199,20	192,24	100	32	2012	3,15								
45	F..MA10B045	235,00	227,58	100	32	2012	3,75	120	45	2517	4,40				
57	F..MA10B057	296,00	288,18	100	32	2012	4,40	120	45	2517	5,80				
76	F..MA10B076	392,10	384,16	100	32	2012	5,10	120	45	2517	7,10				
95	F..MA10B095	488,50	480,14	110	45	2517	8,60	120	45	2517	12,40				
114	F..MA10B114	584,10	576,13	110	45	2517	15,50	120	45	2517	25,30				

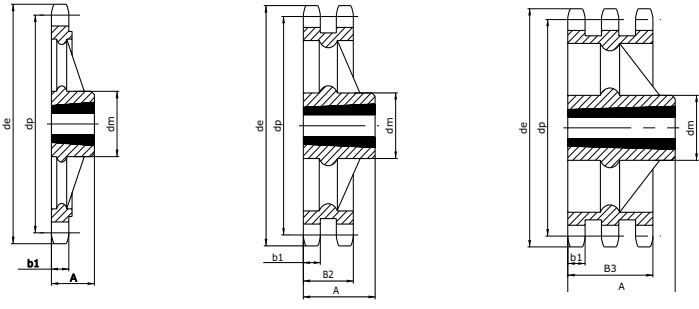
On request

.. 1 for simplex / 2 for duplex / 3 for triplex
* These dimensions can change, please consult us if needed.



SPROCKETS, WHEELS & CAST IRON PLATEWHEELS

Cast iron platewheels for simplex, duplex and triplex roller chains as per standards: DIN 8187 - ISO 606.



Dimensions in mm

TAPER-LOCK CAST IRON PLATEWHEELS - 12B

B1	B2	B3	b1
11,1	30,3	49,8	10,8

PITCH : 3/4" x 7/16"
PITCH : 19,05 x 11,68 mm

Z	Reference	de	dp	SIMPLEX				DUPLEX				TRIPLEX			
				dm*	A*	Bush	Kg	dm*	A*	Bush	Kg	dm*	A*	Bush	Kg
38	F..MA12B038	239,00	230,69	108	45	2517	3,00	140	51	3020	5,10	140	51	3020	7,20
45	F..MA12B045	282,50	273,10	108	45	2517	4,60	140	51	3020	7,70	140	51	3020	10,30
57	F..MA12B057	355,40	345,81	108	45	2517	6,20	140	51	3020	10,00	140	51	3020	13,40
76	F..MA12B076	469,90	460,99	108	45	2517	8,70	140	51	3020	14,40	140	51	3020	18,30
95	F..MA12B095	585,10	576,17	108	45	2517	12,80	140	51	3020	18,60	140	76	3030	26,90
114	F..MA12B114	700,60	691,36	108	64	2525	23,00	140	76	3030	30,60	140	76	3030	48,30

.. 1 for simplex / 2 for duplex / 3 for triplex
 * These dimensions can change, please consult us if needed.

TAPER-LOCK CAST IRON PLATEWHEELS - 16B

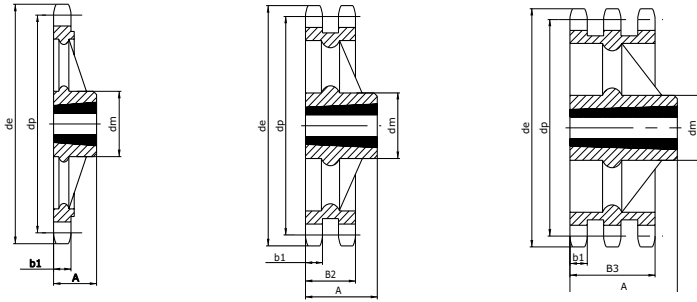
B1	B2	B3	b1
16,2	47,7	79,6	15,8

PITCH : 1" x 17,02 mm
PITCH : 25,4 x 17,02 mm

Z	Reference	de	dp	SIMPLEX				DUPLEX				TRIPLEX			
				dm*	A*	Bush	Kg	dm*	A*	Bush	Kg	dm*	A*	Bush	Kg
38	F..MA16B038	320,70	307,59	140	51	3020	8,20	140	76	3030	11,70	175	89	3535	21,00
45	F..MA16B045	377,10	364,12	140	51	3020	9,20	140	76	3030	19,80	215	102	4040	28,10
57	F..MA16B057	474,00	461,07	140	51	3020	11,60	175	89	3535	25,70	215	102	4040	37,00
76	F..MA16B076	627,00	614,65	140	51	3020	20,10	175	89	3535	37,00	215	102	4040	53,30
95	F..MA16B095	781,10	768,22	140	51	3020	29,60	215	102	4040	48,00	215	102	4040	78,00
114	F..MA16B114	934,30	921,81	140	76	3020	45,00	215	102	4040	78,00	260	114	4545	100,00

.. 1 for simplex / 2 for duplex / 3 for triplex
 * These dimensions can change, please consult us if needed.

Cast iron platewheels for simplex, duplex and triplex roller chains as per standards: DIN 8187 - ISO 606.



Dimensions in mm

TAPER-LOCK CAST IRON PLATEWHEELS - 20B

B1	B2	B3	b1
18,5	54,6	91	18,2

PITCH : 1" 1/4 x 19,56 mm
PITCH : 31,75 x 19,56 mm

Z	Reference	de	dp	SIMPLEX				DUPLEX				TRIPLEX			
				dm*	A*	Bush	Kg	dm*	A*	Bush	Kg	dm*	A*	Bush	Kg
38	F..MA20B038	399,40	384,49	160	51	3020	13,50	160	76	3030	22,00	178	91	3535	35,00
45	F..MA20B045	470,30	455,17	160	51	3020	20,50								
57	F..MA20B057	591,50	576,36	160	51	3020	25,50	175	89	3535	37,00	216	102	4040	42,00
76	F..MA20B076	783,50	768,32	160	51	3020	39,00	175	89	3535	62,00	260	114		

.. 1 for simplex / 2 for duplex / 3 for triplex
 * These dimensions can change, please consult us if needed.

TAPER-LOCK CAST IRON PLATEWHEELS - 24B

B1	B2	B3	b1
24,1	72	120,3	23,6

PITCH : 1" 1/2 x 1"
PITCH : 38,1 x 25,4 mm

Z	Reference	de	dp	SIMPLEX				DUPLEX				TRIPLEX			
				dm*	A*	Bush	Kg	dm*	A*	Bush	Kg	dm*	A*	Bush	Kg
38	F..MA24B038	476,50	461,39	160	76	3030	24,00	175	89	3535	44,00	120,3	4040	66,00	
57	F..MA24B057	707,50	691,63	160	76	3030	45,00	175	89	3535	72,00	120,3	4545	120,00	
76	F..MA24B076	939,00	921,98	175	89	3035	70,00	216	102	4040	107,00	120,3	4545	131,00	

.. 1 for simplex / 2 for duplex / 3 for triplex
 * These dimensions can change, please consult us if needed.