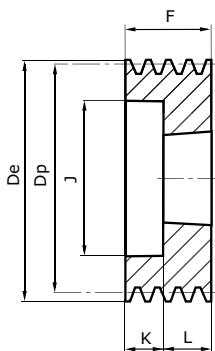
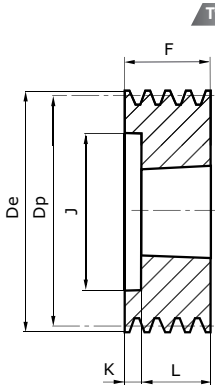
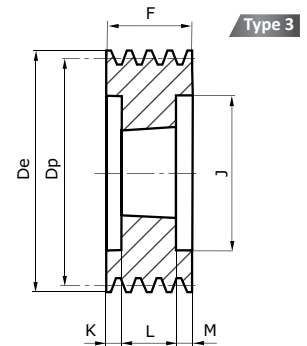
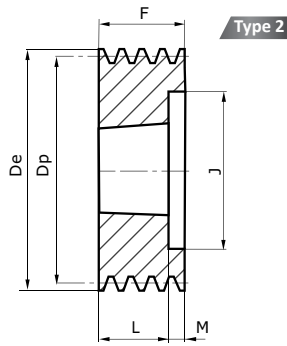
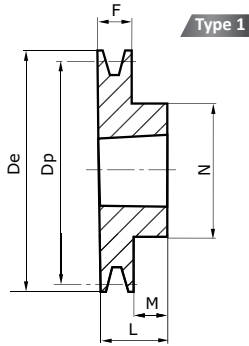




TAPER LOCKS TRAPEZOIDAL PULLEYS - SPZ

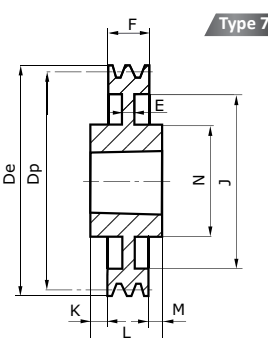
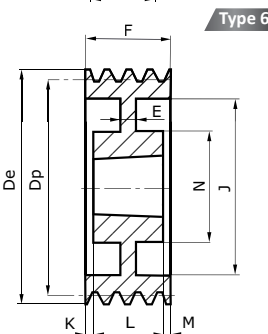
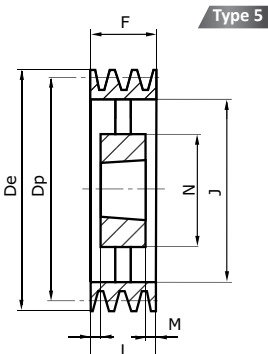
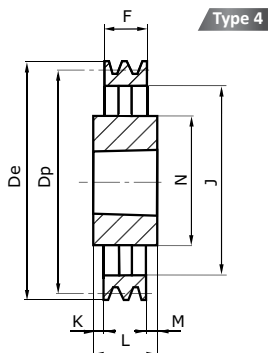
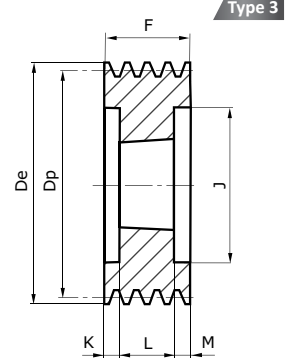
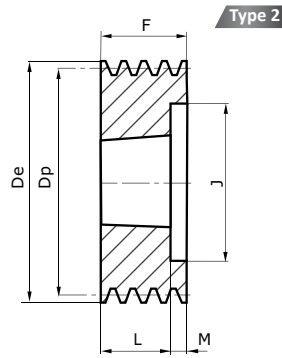
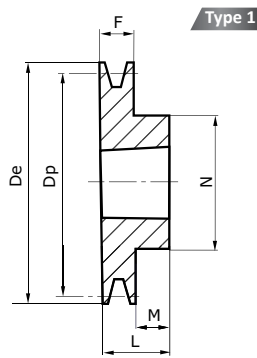


SPZ													
Reference	Dp	De	Z	Bush	E	F	J	K	L	M	N	Type	
SPZ050/1MA*	50	54	1	1008	-	37	26	12	25	-	-	9	
SPZ050/2MA*			2	1008	-	50	26	25	25	-	-	-	9
SPZ056/1MA*	56	60	1	1008	-	37	32	12	25	-	-	9	
SPZ056/2MA*			2	1008	-	49	32	27	22	-	-	-	9
SPZ060/1MA*	60	64	1	1008	-	22	-	-	22	-	-	1	
SPZ060/2MA			2	1108	-	49	36	27	22	-	-	-	9
SPZ063/1MA	63	67	1	1108	-	16	-	-	22	6	56	1	
SPZ063/2MA			2	1108	-	28	40	6	22	-	-	-	8
SPZ063/3MA			3	1108	-	40	40	-	22	-	-	-	8
SPZ067/1MA	67	71	1	1108	-	16	-	-	22	6	60	1	
SPZ067/2MA			2	1108	-	28	42	6	22	-	-	-	8
SPZ067/3MA			3	1108	-	40	42	18	22	-	-	-	8
SPZ071/1MA	71	75	1	1108	-	16	-	-	22	6	60	1	
SPZ071/2MA			2	1108	-	28	42	6	22	-	-	-	8
SPZ071/3MA			3	1108	-	40	42	18	22	-	-	-	8
SPZ075/1MA	75	79	1	1108	-	16	-	-	22	6	60	1	
SPZ075/2MA			2	1210	-	28	51	3	25	-	-	-	8
SPZ075/3MA			3	1210	-	40	51	15	25	-	-	-	8
SPZ080/1MA	80	84	1	1210	-	16	-	-	25	9	75	1	
SPZ080/2MA			2	1210	-	28	51	3	25	-	-	-	8
SPZ080/3MA			3	1210	-	40	51	15	25	-	-	-	8
SPZ080/4MA			4	1210	-	52	51	27	25	-	-	-	8
SPZ085/1MA	85	89	1	1210	-	16	-	-	25	9	80	1	
SPZ085/2MA			2	1610	-	28	60	3	25	-	-	-	8
SPZ085/3MA			3	1610	-	40	60	15	25	-	-	-	8
SPZ085/4MA			4	1610	-	52	60	27	25	-	-	-	8
SPZ085/5MA	5	1610	-	64	60	39	25	-	-	-	8		
SPZ090/1MA	90	94	1	1210	-	16	-	-	25	9	80	1	
SPZ090/2MA			2	1610	-	28	61	3	25	-	-	-	8
SPZ090/3MA			3	1610	-	40	61	15	25	-	-	-	8
SPZ090/4MA			4	1610	-	52	61	27	25	-	-	-	8
SPZ090/5MA			5	1610	-	64	61	39	25	-	-	-	8
SPZ090/6MA			6	1610	-	76	61	51	25	-	-	-	8
SPZ095/1MA	95	99	1	1210	-	16	-	-	25	9	85	1	
SPZ095/2MA			2	1610	-	28	66	3	25	-	-	-	8
SPZ095/3MA			3	1610	-	40	66	15	25	-	-	-	8
SPZ095/4MA			4	1610	-	52	66	27	25	-	-	-	8
SPZ095/5MA			5	1610	-	64	66	39	25	-	-	-	8
SPZ095/6MA			6	1610	-	76	66	51	25	-	-	-	8
SPZ100/1MA	100	104	1	1210	-	16	-	-	25	9	85	1	
SPZ100/2MA			2	1610	-	28	71	3	25	-	-	-	8
SPZ100/3MA			3	1610	-	40	71	15	25	-	-	-	8
SPZ100/4MA			4	1610	-	52	71	27	25	-	-	-	8
SPZ100/5MA			5	2012	-	64	71	32	32	-	-	-	8
SPZ100/6MA			6	2012	-	76	71	44	32	-	-	-	8

SPZ													
Reference	Dp	De	Z	Bush	E	F	J	K	L	M	N	Type	
SPZ106/1MA	106	110	1	1610	-	16	-	-	25	9	92	1	
SPZ106/2MA			2	1610	-	28	76	3	25	-	-	-	8
SPZ106/3MA			3	1610	-	40	76	15	25	-	-	-	8
SPZ106/4MA			4	1610	-	52	76	27	25	-	-	-	8
SPZ106/5MA			5	2012	-	64	76	32	32	-	-	-	8
SPZ106/6MA			6	2012	-	76	76	44	32	-	-	-	8
SPZ112/1MA	112	116	1	1610	-	16	-	-	25	9	92	1	
SPZ112/2MA			2	1610	-	28	83	3	25	-	-	-	8
SPZ112/3MA			3	2012	-	40	83	8	32	-	-	-	8
SPZ112/4MA			4	2012	-	52	83	20	32	-	-	-	8
SPZ112/5MA			5	2012	-	64	83	32	32	-	-	-	8
SPZ112/6MA			6	2012	-	76	83	44	32	-	-	-	8
SPZ118/1MA	118	122	1	1610	-	16	-	-	25	9	92	1	
SPZ118/2MA			2	1610	-	28	90	3	25	-	-	-	8
SPZ118/3MA			3	2012	-	40	90	8	32	-	-	-	8
SPZ118/4MA			4	2012	-	52	90	20	32	-	-	-	8
SPZ118/5MA			5	2012	-	64	90	32	32	-	-	-	8
SPZ118/6MA			6	2517	-	76	90	31	45	-	-	-	8
SPZ125/1MA	125	129	1	1610	-	16	-	-	25	9	92	1	
SPZ125/2MA			2	1610	-	28	96	3	25	-	-	-	8
SPZ125/3MA			3	2012	-	40	96	-	32	8	-	-	2
SPZ125/4MA			4	2012	-	52	96	-	32	20	-	-	2
SPZ125/5MA			5	2012	-	64	96	32	32	-	-	-	8
SPZ125/6MA			6	2517	-	76	96	31	45	-	-	-	8
SPZ132/1MA	132	136	1	1610	-	16	-	-	25	9	92	1	
SPZ132/2MA			2	1610	-	28	103	3	25	-	-	-	8
SPZ132/3MA			3	2012	-	40	103	-	32	8	-	-	2
SPZ132/4MA			4	2012	-	52	103	-	32	20	-	-	2
SPZ132/5MA			5	2517	-	64	103	19	45	19	-	-	8
SPZ132/6MA			6	2517	-	76	103	31	45	-	-	-	8
SPZ140/1MA	140	144	1	1610	-	16	-	-	25	9	92	1	
SPZ140/2MA			2	1610	-	28	111	3	25	-	-	-	8
SPZ140/3MA			3	2012	-	40	111	-	32	8	-	-	2
SPZ140/4MA			4	2012	-	52	111	-	32	20	-	-	2
SPZ140/5MA			5	2517	-	64	111	-	45	19	-	-	2
SPZ140/6MA			6	2517	-	76	111	-	45	31	-	-	2
SPZ140/8MA			8	2517	-	100	111	27.5	45	27.5	-	-	3
SPZ150/1MA			150	154	1	1610	-	16	-	-	25	9	92
SPZ150/2MA	2	2012			-	28	-	-	32	4	112	1	
SPZ150/3MA	3	2012			-	40	121	-	32	8	-	-	2
SPZ150/4MA	4	2517			-	52	121	-	45	7	-	-	2
SPZ150/5MA	5	2517			-	64	121	-	45	19	-	-	2
SPZ150/6MA	6	2517			-	76	121	-	45	31	-	-	2
SPZ150/8MA	8	2517			-	100	121	27.5	45	27.5	-	-	3

Z = Number of grooves
* Made in steel

TAPER LOCKS TRAPEZOIDAL PULLEYS - SPZ



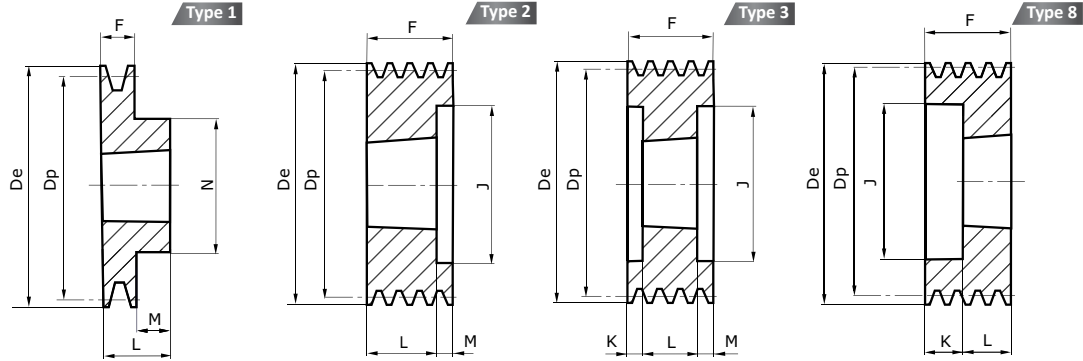
SPZ												
Reference	Dp	De	Z	Bush	E	F	J	K	L	M	N	Type
SPZ160/1MA	1	1610	-	16	-	-	25	9	92	1		
SPZ160/2MA	2	2012	-	28	-	-	32	4	112	1		
SPZ160/3MA	3	2012	-	40	131	-	32	8	-	2		
SPZ160/4MA	160	164	4	2517	-	52	131	-	45	7	-	2
SPZ160/5MA	5	2517	-	64	131	-	45	19	-	2		
SPZ160/6MA	6	2517	-	76	131	-	45	31	-	2		
SPZ160/8MA	8	2517	-	100	131	27,5	45	27,5	-	3		
SPZ170/1MA	1	1610	-	16	-	-	25	9	92	1		
SPZ170/2MA	2	2012	-	28	-	-	32	4	112	1		
SPZ170/3MA	3	2012	-	40	141	4	32	4	-	3		
SPZ170/4MA	170	174	4	2517	-	52	141	-	45	7	-	2
SPZ170/5MA	5	2517	-	64	141	-	45	19	-	2		
SPZ170/6MA	6	2517	-	76	141	-	45	31	-	2		
SPZ180/1MA	1	1610	6	16	152	-	25	9	92	7		
SPZ180/2MA	2	2012	6	28	152	-	32	4	112	7		
SPZ180/3MA	3	2012	7	40	151	-	32	8	106	6		
SPZ180/4MA	180	184	4	2517	-	52	151	-	45	7	-	2
SPZ180/5MA	5	2517	-	64	151	-	45	19	-	2		
SPZ180/6MA	6	2517	-	76	151	15,5	45	15,5	-	3		
SPZ180/8MA	8	2517	-	100	151	27,5	45	27,5	-	3		
SPZ190/1MA	1	1610	12	16	162	-	25	9	92	7		
SPZ190/2MA	2	2012	12	28	162	-	32	4	112	7		
SPZ190/3MA	3	2012	10	40	161	4	32	4	112	6		
SPZ190/4MA	190	194	4	2517	-	52	161	3,5	45	3,5	-	3
SPZ190/5MA	5	2517	-	64	161	9,5	45	9,5	-	3		
SPZ190/6MA	6	2517	-	76	161	15,5	45	15,5	124	3		
SPZ200/1MA	1	2012	10	16	171	-	32	16	112	7		
SPZ200/2MA	2	2012	6	28	171	-	32	4	112	7		
SPZ200/3MA	3	2012	10	40	171	4	32	4	112	6		
SPZ200/4MA	200	204	4	2517	8	52	171	3,5	45	3,5	124	6
SPZ200/5MA	5	2517	-	64	171	9,5	45	9,5	-	3		
SPZ200/6MA	6	2517	-	76	171	15,5	45	15,5	124	3		
SPZ200/8MA	8	3020	-	100	171	24,5	51	24,5	-	3		
SPZ224/1MA	1	2012	15	16	195	-	32	16	112	7		
SPZ224/2MA	2	2012	15	28	195	-	32	4	112	4		
SPZ224/3MA	3	2012	12	40	195	4	32	4	112	6		
SPZ224/4MA	224	228	4	2517	14	52	195	3,5	45	3,5	124	6
SPZ224/5MA	5	2517	20	64	195	9,5	45	9,5	124	6		
SPZ224/6MA	6	2517	26	76	195	15,5	45	15,5	124	6		
SPZ224/8MA	8	3020	-	100	195	24,5	51	24,5	-	8		
SPZ250/1MA	1	2012	-	16	221	8	32	8	112	4		
SPZ250/2MA	2	2012	-	28	221	2	32	2	112	4		
SPZ250/3MA	3	2012	-	40	221	4	32	4	112	5		
SPZ250/4MA	250	254	4	2517	12	52	221	3,5	45	3,5	124	6
SPZ250/5MA	5	2517	-	16	64	221	9,5	45	9,5	124	6	
SPZ250/6MA	6	2517	-	26	76	221	15,5	45	15,5	124	6	
SPZ250/8MA	8	3020	-	100	221	24,5	51	24,5	146	6		

SPZ												
Reference	Dp	De	Z	Bush	E	F	J	K	L	M	N	Type
SPZ280/1MA	1	2012	-	16	251	8	32	8	112	4		
SPZ280/2MA	2	2012	-	28	251	2	32	2	112	4		
SPZ280/3MA	3	2517	-	40	251	2,5	45	2,5	124	4		
SPZ280/4MA	280	284	4	2517	14	52	251	3,5	45	3,5	124	6
SPZ280/5MA	5	2517	15	64	251	9,5	45	9,5	124	6		
SPZ280/6MA	6	2517	15	76	251	15,5	45	15,5	124	6		
SPZ280/8MA	8	3020	-	100	251	24,5	51	24,5	146	6		
SPZ315/1MA	1	2012	-	16	286	8	32	8	112	4		
SPZ315/2MA	2	2012	-	28	286	2	32	2	112	4		
SPZ315/3MA	3	2517	-	40	286	2,5	45	2,5	124	4		
SPZ315/4MA	315	319	4	2517	-	52	286	3,5	45	3,5	124	5
SPZ315/5MA	5	2517	-	64	286	9,5	45	9,5	124	5		
SPZ315/6MA	6	2517	15	76	286	15,5	45	15,5	124	6		
SPZ355/1MA	1	2012	-	16	326	8	32	8	112	4		
SPZ355/2MA	2	2012	-	28	326	2	32	2	112	4		
SPZ355/3MA	3	2517	-	40	326	2,5	45	2,5	124	4		
SPZ355/4MA	355	359	4	2517	-	52	326	3,5	45	3,5	124	5
SPZ355/5MA	5	2517	-	64	326	9,5	45	9,5	124	5		
SPZ355/6MA	6	2517	-	76	326	15,5	45	15,5	124	5		
SPZ355/8MA	8	3030	-	100	326	12	76	12	146	5		
SPZ400/1MA	1	2012	-	16	371	8	32	8	112	4		
SPZ400/2MA	2	2517	-	28	371	8,5	45	8,5	124	4		
SPZ400/3MA	3	2517	-	40	371	2,5	45	2,5	124	4		
SPZ400/3MA	400	404	4	2517	-	52	371	3,5	45	3,5	124	5
SPZ400/5MA	5	3020	-	64	371	6,5	51	6,5	146	5		
SPZ400/6MA	6	3030	-	76	371	-	76	-	146	5		
SPZ400/8MA	8	3030	-	100	371	12	76	12	146	5		
SPZ450/1MA	1	2517	-	16	421	14,5	45	14,5	124	4		
SPZ450/2MA	2	2517	-	28	421	8,5	45	8,5	124	4		
SPZ450/3MA	3	2517	-	40	421	2,5	45	2,5	124	4		
SPZ450/4MA	450	454	4	3020	-	52	421	0,5	51	0,5	146	5
SPZ450/5MA	5	3020	-	64	421	6,5	51	6,5	146	5		
SPZ450/6MA	6	3030	-	76	421	-	76	-	146	5		
SPZ450/8MA	8	3535	-	100	421	5,5	89	5,5	173	5		
SPZ500/3MA	3	2517	-	40	471	2,5	45	2,5	124	4		
SPZ500/4MA	4	3020	-	52	471	0,5	51	0,5	146	5		
SPZ500/5MA	500	504	5	3030	-	64	471	6	76	6	146	4
SPZ500/6MA	6	3030	-	76	471	-	76	-	146	5		
SPZ630/3MA	3	3020	-	40	601	5,5	51	2,5	150	4		
SPZ630/4MA	630	634	4	3030	-	52	601	12	76	12	146	4
SPZ630/5MA	5	3030	-	64	601	6	76	6	146	4		
SPZ630/6MA	6	3535	-	76	601	6,5	89	6,5	175	4		
SPZ800/3MA	3	3020	-	40	771	5,5	51	2,5	146	4		
SPZ800/4MA	4	3030	-	52	771	12	76	12	146	4		
SPZ800/5MA	800	804	5	3535	-	64	771	12,5	89	12,5	178	4
SPZ800/6MA	6	3535	-	76	771	6,5	89	6,5	178	4		

Z = Number of grooves
* Made in steel



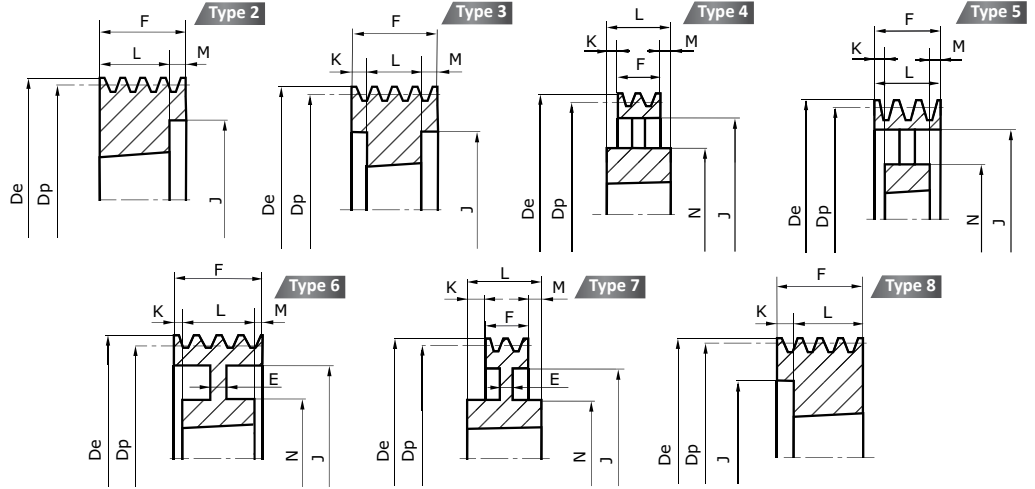
TAPER LOCKS TRAPEZOIDAL PULLEYS - SPA



SPA												
Reference	Dp	De	Z	Bush	E	F	J	K	L	M	N	Type
SPA063/1MA	63	68.5	1	1008	-	20	-	-	22	2	56	1
SPA063/2MA*			2	1008	-	35	38	13	22	-	-	8
SPA067/1MA	67	72.5	1	1108	-	20	-	-	22	2	56	1
SPA067/2MA			2	1108	-	35	38	13	22	-	-	8
SPA071/1MA	71	76.5	1	1108	-	20	-	-	22	2	60	1
SPA071/2MA			2	1108	-	35	40	13	22	-	-	8
SPA071/3MA			3	1108	-	50	40	28	22	-	-	8
SPA075/1MA	75	80.5	1	1108	-	20	-	-	22	2	56	1
SPA075/2MA			2	1108	-	35	44	13	25	-	-	8
SPA075/3MA			3	1108	-	50	44	28	22	-	-	8
SPA080/1MA	80	85.5	1	1210	-	20	-	-	25	5	75	1
SPA080/2MA			2	1210	-	35	50	10	25	-	-	8
SPA080/3MA			3	1210	-	50	50	25	25	-	-	8
SPA085/1MA	85	90.5	1	1210	-	20	-	-	25	5	80	1
SPA085/2MA			2	1210	-	35	50	10	25	-	-	8
SPA085/3MA			3	1210	-	50	55	25	25	-	-	8
SPA090/1MA	90	95.5	1	1210	-	20	-	-	25	5	80	1
SPA090/2MA			2	1610	-	35	59	10	25	-	-	8
SPA090/3MA			3	1610	-	50	59	25	25	-	-	8
SPA090/4MA			4	1615	-	65	59	27	38	-	-	8
SPA095/1MA	95	100.5	1	1210	-	20	-	-	25	5	85	1
SPA095/2MA			2	1610	-	35	63	10	25	-	-	8
SPA095/3MA			3	1610	-	50	63	25	25	-	-	8
SPA095/4MA			4	1615	-	65	63	27	38	-	-	8
SPA100/1MA	100	105.5	1	1610	-	20	-	-	25	5	85	1
SPA100/2MA			2	1610	-	35	66	10	25	-	-	8
SPA100/3MA			3	1610	-	50	66	-	25	25	-	2
SPA100/4MA			4	1615	-	65	66	-	38	27	-	2
SPA100/5MA			5	1615	-	80	66	-	38	42	-	2
SPA100/6MA			6	1610	-	95	66	30	25	40	-	3
SPA106/1MA	106	111.5	1	1610	-	20	-	-	25	5	92	1
SPA106/2MA			2	1610	-	35	72	10	25	-	-	8
SPA106/3MA			3	1610	-	50	72	-	25	25	-	2
SPA106/4MA			4	2012	-	65	72	33	32	-	-	8
SPA106/5MA			5	2012	-	80	72	48	32	-	-	8
SPA106/6MA			6	2012	-	95	72	63	32	-	-	8
SPA112/1MA	112	117.5	1	1610	-	20	-	-	25	5	92	1
SPA112/2MA			2	1610	-	35	78	10	25	-	-	8
SPA112/3MA			3	2012	-	50	78	18	32	-	-	8
SPA112/4MA			4	2012	-	65	78	33	32	-	-	8
SPA112/5MA			5	2012	-	80	78	48	32	-	-	8
SPA112/6MA			6	2012	-	95	78	63	32	-	-	8

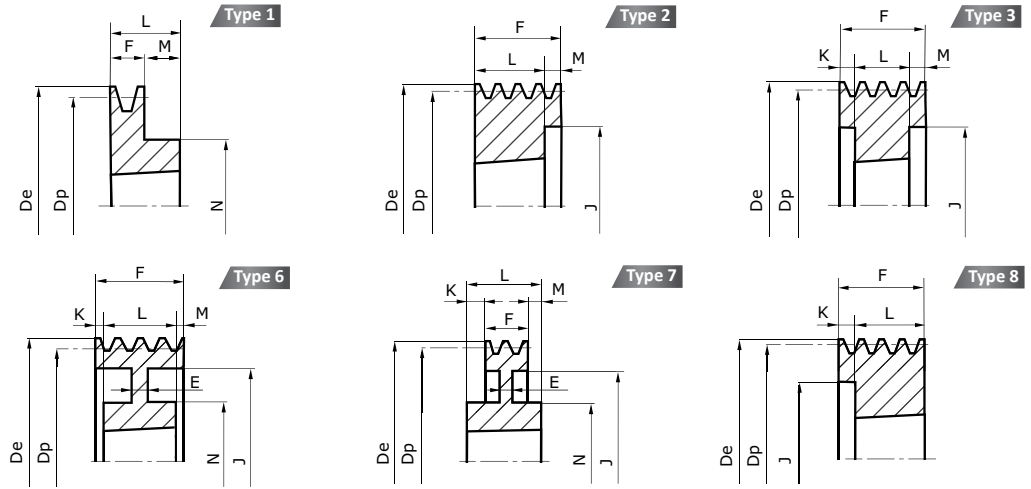
SPA												
Reference	Dp	De	Z	Bush	E	F	J	K	L	M	N	Type
SPA118/1MA	118	123.5	1	1610	-	20	-	-	25	5	92	1
SPA118/2MA			2	1610	-	35	84	10	25	-	-	8
SPA118/3MA			3	2012	-	50	84	-	32	18	-	2
SPA118/4MA			4	2012	-	65	84	-	32	33	-	2
SPA118/5MA			5	2012	-	80	84	-	32	48	-	2
SPA118/6MA			6	2012	-	95	84	63	32	-	-	8
SPA125/1MA	125	130.5	1	1610	-	20	-	-	25	5	92	1
SPA125/2MA			2	1610	-	35	91	10	25	-	-	8
SPA125/3MA			3	2012	-	50	91	-	32	18	-	2
SPA125/4MA			4	2012	-	65	91	-	32	33	-	2
SPA125/5MA			5	2012	-	80	91	24	32	24	-	3
SPA125/6MA			6	2012	-	95	91	31.5	32	31.5	-	3
SPA132/1MA	132	137.5	1	1610	-	20	-	-	25	5	92	1
SPA132/2MA			2	2012	-	35	98	3	32	-	-	8
SPA132/3MA			3	2012	-	50	98	-	32	18	-	2
SPA132/4MA			4	2517	-	65	98	-	45	20	-	2
SPA132/5MA			5	2517	-	80	98	17.5	45	17.5	-	3
SPA132/6MA			6	2517	-	95	98	25	45	25	-	3
SPA140/1MA	140	145.5	1	1610	-	20	-	-	25	5	92	1
SPA140/2MA			2	2012	-	35	106	3	32	-	-	8
SPA140/3MA			3	2517	-	50	106	5	45	-	-	8
SPA140/4MA			4	2517	-	65	106	-	45	20	-	2
SPA140/5MA			5	2517	-	80	106	17.5	45	17.5	-	3
SPA140/6MA			6	2517	-	95	106	25	45	25	-	3
SPA150/1MA	150	155.5	1	1610	-	20	-	-	25	5	92	1
SPA150/2MA			2	2012	-	35	116	3	32	-	-	8
SPA150/3MA			3	2517	-	50	116	5	45	-	-	8
SPA150/4MA			4	2517	-	65	116	-	45	20	-	2
SPA150/5MA			5	2517	-	80	116	17.5	45	17.5	-	3
SPA150/6MA			6	2517	-	95	116	25	45	25	-	3
SPA160/1MA	160	165.5	1	1610	-	20	-	-	25	5	92	1
SPA160/2MA			2	2012	-	35	125	3	32	-	-	8
SPA160/3MA			3	2517	-	50	125	5	45	-	-	8
SPA160/4MA			4	2517	-	65	125	-	45	20	-	2
SPA160/5MA			5	2517	-	80	125	17.5	45	17.5	-	3
SPA160/6MA			6	2517	-	95	125	25	45	25	-	3
SPA170/1MA	170	175.5	1	1610	-	20	-	-	25	5	92	1
SPA170/2MA			2	2012	-	35	135	3	32	-	-	8
SPA170/3MA			3	2517	-	50	135	5	45	-	-	8
SPA170/4MA			4	2517	-	65	135	-	45	20	-	2
SPA170/5MA			5	2517	-	80	135	17.5	45	17.5	-	3

Z = Number of grooves
* Made in steel

TAPER LOCKS TRAPEZOIDAL PULLEYS - SPA


SPA													SPA																
Reference	Dp	De	Z	Bush	E	F	J	K	L	M	N	Type	Reference	Dp	De	Z	Bush	E	F	J	K	L	M	N	Type				
SPA180/1MA			1	1610	6	20	146	-	25	5	92	7	SPA355/1MA			1	2012	-	20	320	-	32	12	112	4				
SPA180/2MA			2	2012	10	35	146	1,5	32	1,5	108	6	SPA355/2MA			2	2517	-	35	320	-	45	10	124	4				
SPA180/3MA	180	185,5	3	2517	-	50	146	5	45	-	-	8	SPA355/3MA	355	360,5	3	3020	-	50	320	0,5	51	0,5	159	4				
SPA180/4MA			4	2517	-	65	146	-	45	20	-	2	SPA355/4MA			4	3020	-	65	320	7	51	7	159	5				
SPA180/5MA			5	3020	-	80	146	-	51	29	-	3	SPA355/5MA			5	3535	-	80	320	4,5	89	4,5	175	4				
SPA180/6MA			6	3020	-	95	146	22	51	22	-	3	SPA355/6MA			6	3535	-	95	320	3	89	3	175	5				
SPA190/1MA			190	195,5	1	1610	6	20	156	-	25	5	92			7	SPA400/1MA	400	405,5	1	2012	-	20	365	-	32	12	112	4
SPA190/2MA					2	2012	6	35	156	1,5	32	3	108			6	SPA400/2MA			2	2517	-	35	365	-	45	10	124	4
SPA190/3MA	3	2517			-	50	156	5	45	-	-	8	SPA400/3MA	3	3020	-	50			365	-	51	1	159	4				
SPA190/4MA	4	2517			-	65	156	-	45	20	-	2	SPA400/4MA	4	3020	-	65			365	7	51	7	159	5				
SPA190/5MA	5	3020			-	80	156	14,5	51	14,5	-	2	SPA400/5MA	5	3535	-	80			365	4,5	89	4,5	175	4				
SPA200/1MA	200	205,5			1	2012	6	20	165	-	32	12	108	7	SPA400/6MA	6	3535			-	95	365	3	89	3	175	5		
SPA200/2MA			2	2517	10	35	156	5	45	5	123	7	SPA450/1MA	450	455,5	1	2012	-	20	415	-	32	12	112	4				
SPA200/3MA			3	2517	20	50	165	2,5	45	2,5	123	6	SPA450/2MA			2	2517	-	35	465	-	45	10	124	4				
SPA200/4MA			4	3020	-	65	165	-	51	14	-	2	SPA450/3MA			3	3020	-	50	415	-	51	1	159	4				
SPA200/5MA			5	3020	-	80	165	14,5	51	14,5	-	3	SPA450/4MA			4	3020	-	65	415	7	51	7	159	5				
SPA200/6MA			6	3020	-	95	165	22	51	22	-	3	SPA450/5MA			5	3535	-	80	415	4,5	89	4,5	175	4				
SPA212/1MA	212	217,5	1	2012	10	20	177	-	32	12	110	7	SPA450/6MA			6	3535	-	95	415	3	89	3	175	5				
SPA212/2MA			2	2517	18	35	177	5	45	5	123	7	SPA500/1MA	500	505,5	1	2517	-	20	465	-	45	25	124	4				
SPA212/3MA			3	2517	20	50	177	2,5	45	2,5	123	6	SPA500/2MA			2	2517	-	35	525	-	45	10	125	4				
SPA212/4MA			4	3020	-	65	177	-	51	14	-	2	SPA500/3MA			3	3020	-	50	465	-	51	1	159	4				
SPA212/5MA			5	3020	-	80	177	-	51	29	-	2	SPA500/4MA			4	3020	-	65	465	7	51	7	159	5				
SPA224/1MA			224	229,5	1	2012	10	20	189	-	32	12	112			7	SPA500/5MA	5	3535	-	80	465	4,5	89	4,5	175	4		
SPA224/2MA	2	2517			18	35	189	-	45	10	124	7	SPA500/6MA			6	3535	-	95	465	3	89	3	175	5				
SPA224/3MA	3	2517			20	50	189	2,5	45	2,5	124	6	SPA560/3MA	560	565,5	3	3020	-	50	525	-	51	1	150	4				
SPA224/4MA	4	3020			-	65	189	-	51	14	-	2	SPA560/4MA			4	3535	-	65	525	12	89	12	175	4				
SPA224/5MA	5	3020			-	80	189	-	51	29	-	2	SPA560/5MA			5	3535	-	80	525	4,5	89	4,5	175	4				
SPA224/6MA	6	3020			-	95	189	22	51	22	-	3	SPA560/6MA			6	3535	-	95	525	3	89	3	175	5				
SPA250/1MA	250	255,5	1	2012	10	20	215	6	32	6	112	7	SPA630/1MA			630	635,5	1	2517	-	20	595	-	45	25	124	4		
SPA250/2MA			2	2517	12	35	215	5	45	5	124	7	SPA630/2MA					2	3020	-	35	595	8	51	18	159	4		
SPA250/3MA			3	2517	20	50	215	2,5	45	2,5	124	6	SPA630/3MA	3	3020			-	50	595	-	51	1	150	4				
SPA250/4MA			4	3020	20	65	215	7	51	7	159	6	SPA630/4MA	4	3535			-	65	595	12	89	12	175	4				
SPA250/5MA			5	3020	20	80	215	14,5	51	14,5	159	6	SPA630/5MA	5	3535			-	80	595	4,5	89	4,5	175	4				
SPA250/6MA			6	3020	20	95	215	22	51	22	155	6	SPA630/6MA	6	4040			-	95	595	3,5	102	3,5	210	4				
SPA280/1MA	280	285,5	1	2012	10	20	245	-	32	12	112	7	SPA800/1MA	800	805,5	3	3535	-	50	765	19,05	89	19,5	175	4				
SPA280/2MA			2	2517	12	35	245	-	45	10	124	7	SPA800/4MA			4	3535	-	65	765	12	89	12	175	4				
SPA280/3MA			3	2517	20	50	245	2,5	45	2,5	124	6	SPA800/5MA			5	4040	-	80	765	11	102	11	210	4				
SPA280/4MA			4	3020	25	65	245	7	51	7	159	6	SPA800/6MA			6	4040	-	95	765	3,5	102	3,5	210	4				
SPA280/5MA			5	3535	25	80	245	4,5	89	4,5	175	7	SPA1000/3MA			1000	1005,5	3	3535	-	50	965	19,05	89	19,5	175	4		
SPA280/6MA			6	3535	25	95	245	3	89	3	175	6	SPA1000/4MA					4	4040	-	65	965	18,5	102	18,5	210	4		
SPA315/1MA	315	320,5	1	2012	12	20	280	-	32	12	112	7	SPA1000/5MA	5	4545			-	80	965	17	114	17	242	4				
SPA315/2MA			2	2517	12	35	280	-	45	10	124	7	SPA1000/6MA	6	4545			-	95	965	9,5	114	9,5	242	4				
SPA315/3MA			3	3020	25	50	280	0,5	51	0,5	159	4	Z = Number of grooves																
SPA315/4MA			4	3020	25	65	280	7	51	7	159	6																	
SPA315/5MA			5	3535	25	80	280	4,5	89	4,5	175	7																	
SPA315/6MA			6	3535	25	95	280	3	89	3	175	6																	

TAPER LOCKS TRAPEZOIDAL PULLEYS - SPB

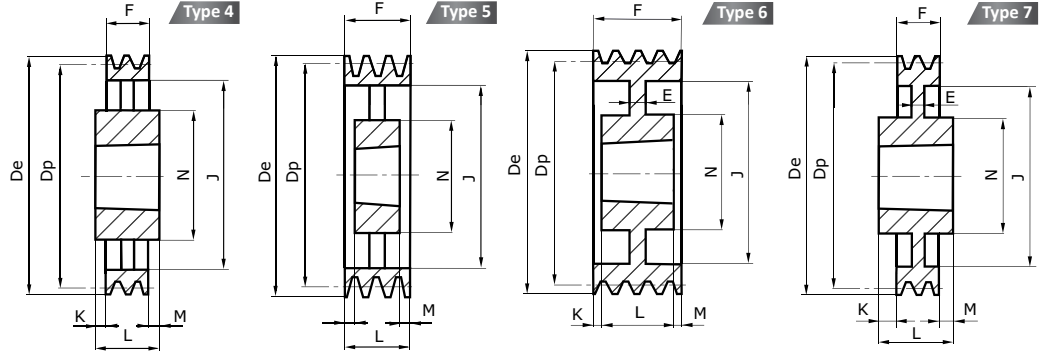


SPB												
Reference	Dp	De	Z	Bush	E	F	J	K	L	M	N	Type
SPB100/1MA			1	1610	-	25	-	-	25	-	-	1
SPB100/2MA	100	107	2	1610	-	44	62	19	25	-	-	8
SPB100/3MA			3	1610	-	63	62	38	25	-	-	8
SPB106/1MA			1	1610	-	25	-	-	25	-	-	1
SPB106/2MA	106	113	2	1610	-	44	67	19	25	-	-	8
SPB106/3MA			3	1610	-	63	67	38	25	-	-	8
SPB112/1MA			1	1610	-	25	-	-	25	-	-	1
SPB112/2MA	112	119	2	1610	-	44	72	19	25	-	-	8
SPB112/3MA			3	1610	-	63	72	38	25	-	-	8
SPB118/1MA			1	1610	-	25	-	-	25	-	-	1
SPB118/2MA	118	125	2	1610	-	44	78	-	25	19	-	2
SPB118/3MA			3	1610	-	63	78	-	25	38	-	2
SPB125/1MA			1	1610	-	25	-	-	25	-	-	1
SPB125/2MA			2	2012	-	44	82	-	32	12	-	2
SPB125/3MA	125	132	3	2012	-	63	82	-	32	31	-	2
SPB125/4MA			4	2012	-	82	82	25	32	25	-	3
SPB125/5MA			5	2012	-	101	87	69	32	-	-	8
SPB132/1MA			1	1610	-	25	-	-	25	-	-	1
SPB132/2MA			2	2012	-	44	89	-	32	12	-	2
SPB132/3MA	132	139	3	2012	-	63	89	-	32	31	-	2
SPB132/4MA			4	2012	-	82	89	25	32	25	-	3
SPB132/5MA			5	2517	-	101	94	56	45	-	-	8
SPB140/1MA			1	1610	-	25	-	-	25	-	-	1
SPB140/2MA			2	2012	-	44	97	-	32	12	-	2
SPB140/3MA			3	2012	-	63	97	-	32	31	-	2
SPB140/4MA	140	147	4	2517	-	82	100	18,5	45	18,5	-	3
SPB140/5MA			5	2517	-	101	97	28	45	28	-	3
SPB140/6MA			6	2517	-	120	100	37,5	45	37,5	-	3
SPB140/8MA			8	2517	-	158	97	56,5	45	56,5	-	3
SPB150/1MA			1	1610	-	25	-	-	25	-	-	1
SPB150/2MA			2	2012	-	44	107	-	32	12	-	2
SPB150/3MA	150	157	3	2517	-	63	107	-	45	18	-	2
SPB150/4MA			4	2517	-	82	107	18,5	45	18,5	-	3
SPB150/5MA			5	2517	-	101	107	28	45	28	-	3
SPB150/6MA			6	2517	-	120	107	37,5	45	37,5	-	3
SPB160/1MA			1	1610	-	25	-	-	25	-	-	1
SPB160/2MA			2	2012	-	44	117	-	32	12	-	2
SPB160/3MA			3	2517	-	63	117	-	45	18	-	2
SPB160/4MA	160	167	4	2517	-	82	117	18,5	45	18,5	-	3
SPB160/5MA			5	2517	-	101	117	28	45	28	-	3
SPB160/6MA			6	3020	-	120	117	34,5	51	34,5	-	3
SPB160/8MA			8	3020	-	158	117	53,5	51	53,5	-	3
SPB170/1MA			1	1610	-	25	-	-	25	-	-	1
SPB170/2MA			2	2012	-	44	127	-	32	12	-	2
SPB170/3MA			3	2517	-	63	127	-	45	18	-	2
SPB170/4MA	170	177	4	2517	-	82	127	18,5	45	18,5	-	3
SPB170/5MA			5	3020	-	101	127	25	51	25	-	3
SPB170/6MA			6	3020	-	120	127	34,5	51	34,5	-	3
SPB170/8MA			8	3030	-	158	127	41	76	41	-	3

Z = Number of grooves

SPB												
Reference	Dp	De	Z	Bush	E	F	J	K	L	M	N	Type
SPB180/1MA			1	1610	15	25	132	-	25	-	90	6
SPB180/2MA			2	2517	-	44	-	-	45	1	120	1
SPB180/3MA			3	2517	-	63	137	-	45	18	-	2
SPB180/4MA	180	187	4	2517	-	82	137	18,5	45	18,5	-	3
SPB180/5MA			5	3020	-	101	137	25	51	25	-	3
SPB180/6MA			6	3020	-	120	137	34,5	51	34,5	-	3
SPB180/8MA			8	3030	-	158	137	41	76	41	-	3
SPB190/1MA			1	2012	15	25	147	3,5	32	3,5	104	7
SPB190/2MA			2	2517	-	44	-	-	45	1	120	1
SPB190/3MA			3	2517	-	63	147	-	45	18	-	2
SPB190/4MA	190	197	4	2517	-	82	147	18,5	45	18,5	-	3
SPB190/5MA			5	3020	-	101	147	25	51	25	-	3
SPB190/6MA			6	3020	-	120	147	34,5	51	34,5	-	3
SPB190/8MA			8	3030	-	158	147	41	76	41	-	3
SPB200/1MA			1	2012	15	25	157	3,5	32	3,5	104	7
SPB200/2MA			2	2517	-	44	-	-	45	1	117	1
SPB200/3MA			3	2517	-	63	157	-	45	18	-	2
SPB200/4MA	200	207	4	3020	-	82	157	15,5	51	15,5	-	3
SPB200/5MA			5	3020	-	101	157	25	51	25	-	3
SPB200/6MA			6	3020	-	120	157	34,5	51	34,5	-	3
SPB200/8MA			8	3535	-	158	157	34,5	89	34,5	-	3
SPB212/1MA			1	2012	15	25	169	3,5	32	3,5	104	7
SPB212/2MA			2	2517	20	44	169	-	45	1	117	7
SPB212/3MA			3	2517	15	63	169	-	45	18	117	6
SPB212/4MA	212	219	4	3020	-	82	169	15,5	51	15,5	-	3
SPB212/5MA			5	3020	-	101	169	25	51	25	-	3
SPB212/6MA			6	3535	-	120	169	15,5	89	15,5	-	3
SPB212/8MA			8	3535	-	158	169	34,5	89	34,5	-	3
SPB224/1MA			1	2012	15	25	181	3,5	32	3,5	104	7
SPB224/2MA			2	2517	15	44	181	-	45	1	117	7
SPB224/3MA			3	2517	15	63	181	-	45	18	117	6
SPB224/4MA	224	231	4	3020	-	82	181	15,5	51	15,5	-	3
SPB224/5MA			5	3020	-	101	181	25	51	25	-	3
SPB224/6MA			6	3535	-	120	181	15,5	89	15,5	-	3
SPB224/8MA			8	3535	-	158	181	34,5	89	34,5	-	3
SPB224/10MA			10	3535	-	196	181	53,5	89	53,5	-	3
SPB236/1MA			1	2012	15	25	193	3,5	32	3,5	104	7
SPB236/2MA			2	2517	15	44	193	-	45	1	117	7
SPB236/3MA			3	2517	15	63	193	-	45	18	117	6
SPB236/4MA	236	243	4	3020	-	82	193	15,5	51	15,5	-	3
SPB236/5MA			5	3535	-	101	193	6	89	6	-	3
SPB236/6MA			6	3535	-	120	193	15,5	89	15,5	-	3
SPB236/8MA			8	3535	-	158	193	34,5	89	34,5	-	3
SPB236/10MA			10	3535	-	196	193	53,5	89	53,5	-	3
SPB250/1MA			1	2012	20	25	207	3,5	32	3,5	104	7
SPB250/2MA			2	2517	20	44	207	-	45	1	125	7
SPB250/3MA			3	3020	20	63	207	-	51	12	144	6
SPB250/4MA	250	257	4	3020	25	82	207	15,5	51	15,5	144	6
SPB250/5MA			5	3535	-	101	207	6	89	6	-	3
SPB250/6MA			6	3535	-	120	207	15,5	89	15,5	-	3
SPB250/8MA			8	3535	-	158	207	34,5	89	34,5	-	3
SPB250/10MA			10	3535	-	196	207	53,5	89	53,5	-	3

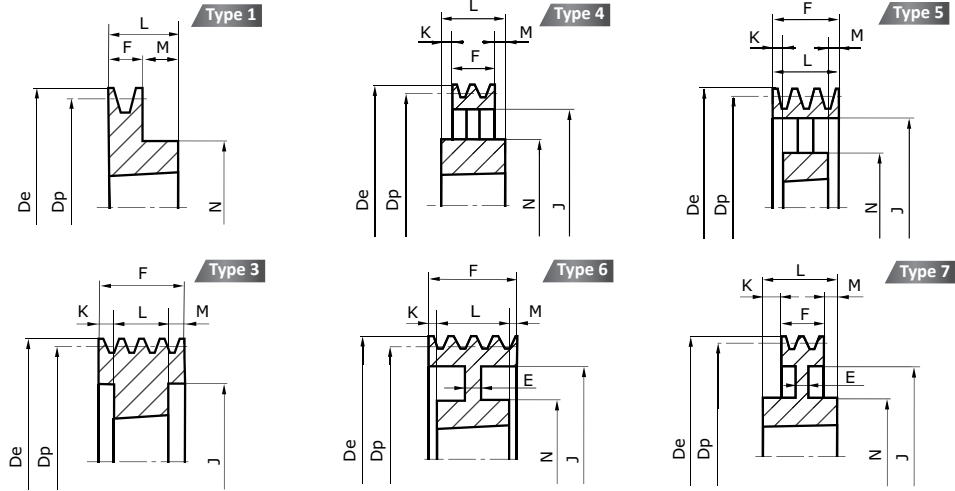
TAPER LOCKS TRAPEZOIDAL PULLEYS - SPB



SPB											
Reference	Dp	De	Z	Bush	E	F	J	K	L	M	Type
SPB280/1MA		2012	20	25	237	3,5	32	3,5	104	7	
SPB280/2MA		2517	20	44	237	-	45	1	125	7	
SPB280/3MA		3020	20	63	237	6	51	6	144	6	
SPB280/4MA	280	3020	25	82	237	15,5	51	15,5	144	6	
SPB280/5MA		3535	25	101	237	6	89	6	175	6	
SPB280/6MA		3535	25	120	237	15,5	89	15,5	175	6	
SPB280/8MA		3535	25	158	237	34,5	89	34,5	175	6	
SPB280/10MA		3535	30	196	237	53,5	89	53,5	175	6	
SPB300/1MA		2012	20	25	258	3,5	32	3,5	104	7	
SPB300/2MA		2517	20	44	257	-	45	1	125	7	
SPB300/3MA		3020	20	63	257	6	51	6	144	6	
SPB300/4MA	300	3020	25	82	257	-	89	7	175	7	
SPB300/5MA		3535	25	101	257	6	89	6	175	6	
SPB300/6MA		3535	25	120	257	15,5	89	15,5	175	6	
SPB300/8MA		3535	25	158	257	34,5	89	34,5	175	6	
SPB315/1MA		2012	20	25	272	3,5	32	3,5	104	7	
SPB315/2MA		2517	20	44	272	-	45	1	125	7	
SPB315/3MA		3020	20	63	272	6	51	6	144	6	
SPB315/4MA	315	3020	25	82	272	3,5	89	3,5	175	7	
SPB315/5MA	322	3535	25	101	272	6	89	6	175	6	
SPB315/6MA		3535	25	120	272	15,5	89	15,5	175	6	
SPB315/8MA		3535	25	158	272	34,5	89	34,5	175	6	
SPB315/10MA		3535	30	196	272	53,5	89	53,5	175	6	
SPB335/2MA		2517	20	44	292	-	45	1	125	7	
SPB335/3MA		3020	20	63	292	6	51	6	144	6	
SPB335/4MA		3535	25	82	292	3,5	89	3,5	175	7	
SPB335/5MA	335	3535	25	101	292	6	89	6	175	6	
SPB335/6MA		3535	25	120	292	15,5	89	15,5	175	6	
SPB335/8MA		3535	25	158	292	34,5	89	34,5	175	6	
SPB335/10MA		4040	30	196	292	47	102	47	210	6	
SPB355/2MA		3020	15	44	312	3,5	51	3,5	144	7	
SPB355/3MA		3020	15	63	312	6	51	6	144	6	
SPB355/4MA		3535	25	82	312	3,5	89	3,5	175	7	
SPB355/5MA	355	3535	17	101	312	6	89	6	175	6	
SPB355/6MA		3535	25	120	312	15,5	89	15,5	175	6	
SPB355/8MA		3535	25	158	312	34,5	89	34,5	175	6	
SPB355/10MA		4040	30	196	312	47	102	47	210	6	
SPB400/2MA		3020	-	44	357	3,5	51	3,5	150	4	
SPB400/3MA		3535	-	63	357	13	89	13	175	4	
SPB400/4MA		3535	-	82	357	3,5	89	3,5	175	4	
SPB400/5MA	400	3535	-	101	357	6	89	6	175	5	
SPB400/6MA		3535	-	120	357	15,5	89	15,5	175	5	
SPB400/8MA		4040	30	158	357	28	102	28	210	6	
SPB400/10MA		4040	30	196	357	47	102	47	210	6	
SPB450/2MA		3020	-	44	407	3,5	51	3,5	150	4	
SPB450/3MA		3535	-	63	407	-	89	26	175	4	
SPB450/4MA		3535	-	82	407	-	89	7	175	4	
SPB450/5MA	450	3535	-	101	407	-	89	12	175	5	
SPB450/6MA		4040	-	120	407	-	102	18	210	5	
SPB450/8MA		4040	-	158	407	28	102	28	210	5	
SPB450/10MA		4545	-	196	407	41	114	41	242	5	

SPB												
Reference	Dp	De	Z	Bush	E	F	J	K	L	M	N	Type
SPB500/2MA		3020	-	44	457	3,5	51	3,5	150	4		
SPB500/3MA		3535	-	63	457	-	89	26	175	4		
SPB500/4MA		3535	-	82	457	-	89	7	175	4		
SPB500/5MA	500	507	5	3535	-	101	457	-	89	12	175	5
SPB500/6MA		4040	-	120	457	-	102	18	210	5		
SPB500/8MA		4040	-	158	457	28	102	28	210	5		
SPB500/10MA		4545	-	196	457	41	114	41	242	5		
SPB560/2MA		3030	-	44	517	4	76	28	150	4		
SPB560/3MA		3535	-	63	517	-	89	26	175	4		
SPB560/4MA		3535	-	82	517	-	89	7	175	4		
SPB560/5MA	560	567	5	4040	-	101	517	-	102	1	210	4
SPB560/6MA		4040	-	120	517	-	102	18	210	5		
SPB560/8MA		4545	-	158	517	22	114	22	242	5		
SPB560/10MA		4545	-	196	517	41	114	41	242	5		
SPB630/2MA		3030	-	44	587	16	76	16	150	4		
SPB630/3MA		3535	-	63	587	-	89	26	175	4		
SPB630/4MA		3535	-	82	587	-	89	7	175	4		
SPB630/5MA	630	637	5	4040	-	101	587	-	102	1	210	4
SPB630/6MA		4040	-	120	587	-	102	18	210	5		
SPB630/8MA		4545	-	158	587	22	114	22	242	5		
SPB630/10MA		4545	-	196	587	41	114	41	242	5		
SPB710/3MA		3535	-	63	664	13	89	13	175	4		
SPB710/4MA		3535	-	82	664	3,5	89	3,5	175	4		
SPB710/5MA	710	717	5	4040	-	101	664	-	102	1	210	4
SPB710/6MA		4040	-	120	664	9	102	9	210	5		
SPB710/8MA		4545	-	158	664	22	114	22	242	5		
SPB710/10MA		4545	-	196	664	41	114	41	242	5		
SPB800/3MA		3535	-	63	754	13	89	13	175	4		
SPB800/4MA		4040	-	82	754	10	102	10	210	4		
SPB800/5MA	800	807	5	4040	-	101	754	-	102	1	210	4
SPB800/6MA		4545	-	120	754	3	114	3	242	5		
SPB800/8MA		4545	-	158	754	22	114	22	242	5		
SPB800/10MA		4545	-	196	754	41	114	41	242	5		
SPB900/3MA		3535	-	63	854	13	89	13	175	4		
SPB900/4MA		4040	-	82	854	10	102	10	210	4		
SPB900/5MA	900	907	5	4040	-	101	854	-	102	1	210	4
SPB900/6MA		4545	-	120	854	3	114	3	242	5		
SPB900/8MA		4545	-	158	854	22	114	22	242	5		
SPB900/10MA		5050	-	196	854	34,5	127	34,5	267	5		
SPB1000/3MA		4040	-	63	954	19,5	102	19,5	210	4		
SPB1000/4MA		4040	-	82	954	10	102	16	210	4		
SPB1000/5MA	1000	1007	5	4545	-	101	954	6,5	114	6,5	242	4
SPB1000/6MA		4545	-	120	954	3	114	3	242	5		
SPB1000/8MA		5050	-	158	954	15,5	127	15,5	267	5		
SPB1000/10MA		5050	-	196	954	34,5	127	34,5	267	5		
SPB1250/3MA		4040	-	63	1204	19,5	102	19,5	210	4		
SPB1250/4MA		4545	-	82	1204	16	114	16	210	4		
SPB1250/5MA	1250	1257	5	4545	-	101	1204	6,5	114	6,5	242	4
SPB1250/6MA		4545	-	120	1204	3	114	3	242	5		
SPB1250/8MA		5050	-	158	1204	15,5	127	15,5	267	5		

Z = Number of grooves

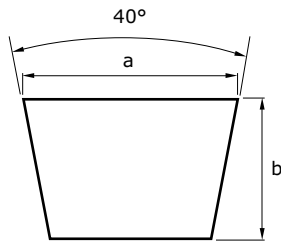
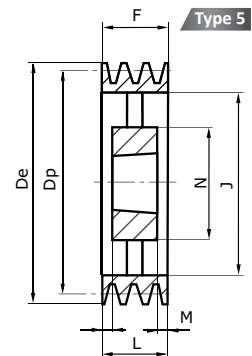
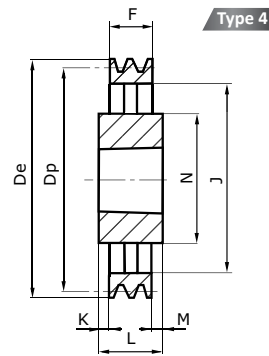
TAPER LOCKS TRAPEZOIDAL PULLEYS - SPC


SPC												SPC													
Reference	Dp	De	Z	Bush	E	F	J	K	L	M	N	Type	Reference	Dp	De	Z	Bush	E	F	J	K	L	M	N	Type
SPC200/3MA			3	2517	-	85	144	20	45	20	-	3	SPC335/3MA			3	3535	20	85	279	2	89	2	175	7
SPC200/4MA			4	3020	-	111	144	30	51	30	-	3	SPC335/4MA			4	3535	20	111	279	11	89	11	175	6
SPC200/5MA	200	209,6	5	3535	-	136	144	23,5	89	23,5	-	3	SPC335/5MA	335	344,6	5	3535	20	136	279	23,5	89	23,5	175	6
SPC200/6MA			6	3535	-	162	144	36,5	89	36,5	-	3	SPC335/6MA			6	3535	20	162	279	36,5	89	36,5	175	6
SPC200/8MA			8	3535	-	213	144	62	89	62	-	3	SPC335/8MA			8	4040	50	213	279	55,5	102	55,5	210	6
SPC212/3MA			3	3020	-	85	156	17	51	17	-	3	SPC355/3MA			3	3535	20	85	299	2	89	2	175	7
SPC212/4MA			4	3020	-	111	156	30	51	30	-	3	SPC355/4MA			4	3535	20	111	299	11	89	11	175	6
SPC212/5MA	212	221,6	5	3535	-	136	156	23,5	89	23,5	-	3	SPC355/5MA			5	3535	20	136	299	23,5	89	23,5	175	6
SPC212/6MA			6	3535	-	162	156	36,5	89	36,5	-	3	SPC355/6MA	355	364,6	6	3535	20	162	299	36,5	89	36,5	175	6
SPC212/8MA			8	3535	-	213	156	62	89	62	-	3	SPC355/8MA			8	4040	40	213	299	55,5	102	55,5	210	6
SPC224/3MA			3	3020	-	85	168	17	51	17	-	3	SPC355/10MA			10	4545	-	264	299	75	114	75	-	3
SPC224/4MA			4	3535	-	111	168	11	89	11	-	3	SPC375/3MA			3	3535	25	85	319	2	89	2	175	7
SPC224/5MA	224	233,6	5	3535	-	136	168	23,5	89	23,5	-	3	SPC375/4MA			4	3535	25	111	319	11	89	11	175	6
SPC224/6MA			6	3535	-	162	168	36,5	89	36,5	-	3	SPC375/5MA	375	384,6	5	3535	25	136	319	23,5	89	23,5	175	6
SPC224/8MA			8	3535	-	213	168	62	89	62	-	3	SPC375/6MA			6	4040	30	162	319	30	102	30	210	6
SPC236/3MA			3	3020	-	85	180	17	51	17	-	3	SPC375/8MA			8	4545	30	213	319	49,5	114	49,5	242	6
SPC236/4MA			4	3535	-	111	180	11	89	11	-	3	SPC400/3MA			3	3535	17	85	344	2	89	2	175	7
SPC236/5MA	236	245,6	5	3535	-	136	180	23,5	89	23,5	-	3	SPC400/4MA			4	3535	18	111	344	11	89	11	175	6
SPC236/6MA			6	3535	-	162	180	36,5	89	36,5	-	3	SPC400/5MA			5	3535	15	136	344	23,5	89	23,5	175	6
SPC236/8MA			8	3535	-	213	180	62	89	62	-	3	SPC400/6MA	400	409,6	6	4040	30	162	344	30	102	30	210	6
SPC250/3MA			3	3020	-	85	194	17	51	17	-	3	SPC400/8MA			8	4545	30	213	344	49,5	114	49,5	242	6
SPC250/4MA			4	3535	-	111	194	11	89	11	-	3	SPC400/10MA			10	5050	70	264	344	68,5	127	68,5	267	6
SPC250/5MA			5	3535	-	136	194	23,5	89	23,5	-	3	SPC425/3MA			3	3535	17	85	369	2	89	2	175	7
SPC250/6MA	250	259,6	6	3535	-	162	194	36,5	89	36,5	-	3	SPC425/4MA			4	3535	18	111	369	11	89	11	175	6
SPC250/8MA			8	3535	-	213	194	62	89	62	-	3	SPC425/5M1	425	434,6	5	3535	20	136	369	23,5	89	23,5	175	6
SPC250/10MA			10	4040	-	264	194	81	102	81	-	3	SPC425/6MA			6	4040	30	162	369	30	102	24	210	6
SPC265/3MA			3	3535	-	85	209	-	89	4	175	1	SPC425/8MA			8	4545	30	213	369	49,5	114	49,5	240	6
SPC265/4MA			4	3535	-	111	209	11	89	11	-	3	SPC450/3MA			3	3535	-	85	394	2	89	2	175	4
SPC265/5MA	265	274,6	5	3535	-	136	209	23,5	89	23,5	-	3	SPC450/4MA			4	3535	-	111	394	11	89	11	175	5
SPC265/6MA			6	3535	-	162	209	36,5	89	36,5	-	3	SPC450/5MA			5	4040	-	136	394	17	102	17	210	5
SPC265/8MA			8	3535	-	213	209	62	89	62	-	3	SPC450/6MA	450	459,6	6	4545	30	162	394	24	114	24	242	6
SPC280/3MA			3	3535	-	85	224	-	89	4	175	1	SPC450/8MA			8	5050	30	213	394	43	127	43	267	6
SPC280/4MA			4	3535	18	111	224	11	89	11	175	6	SPC450/10MA			10	5050	40	264	394	68,5	127	68,5	267	6
SPC280/5MA			5	3535	-	136	224	23,5	89	23,5	-	3	SPC475/3MA			3	3535	-	85	419	2	89	2	175	4
SPC280/6MA	280	289,6	6	3535	20	162	224	36,5	89	36,5	175	6	SPC475/4MA			4	3535	-	111	419	11	89	11	175	5
SPC280/8MA			8	3535	-	213	224	62	89	62	-	3	SPC475/5MA	475	484,6	5	4040	-	136	419	17	102	17	210	5
SPC280/10MA			10	4040	-	264	224	81	102	81	-	3	SPC475/6MA			6	4545	30	162	419	24	114	24	242	6
SPC300/3MA			3	3535	20	85	244	2	89	2	175	7	SPC475/8MA			8	5050	30	213	419	43	127	43	267	6
SPC300/4MA			4	3535	20	111	244	11	89	11	175	6	SPC500/3MA			3	3535	-	85	444	2	89	2	175	4
SPC300/5MA			5	3535	20	136	244	23,5	89	23,5	175	6	SPC500/4MA			4	3535	-	111	444	11	89	11	175	5
SPC300/6MA	300	309,6	6	3535	20	162	244	36,5	89	36,5	175	6	SPC500/5MA			5	4040	-	136	444	17	102	17	210	5
SPC300/8MA			8	4040	-	213	244	55,5	102	55,5	-	3	SPC500/6MA	500	509,6	6	4545	-	162	444	24	114	24	242	5
SPC300/10MA			10	4545	-	264	244	75	114	75	-	3	SPC500/8MA			8	5050	30	213	444	43	127	43	267	6
SPC315/3MA			3	3535	20	85	259	2	89	2	175	7	SPC500/10MA			10	5050	40	264	444	68,5	127	68,5	267	6
SPC315/4MA			4	3535	20	111	259	11	89	11	175	6	SPC530/3MA			3	3535	-	85	474	2	89	2	175	4
SPC315/5MA			5	3535	20	136	259	23,5	89	23,5	175	6	SPC530/4MA			4	4040	-	111	474	4,5	102	4,5	210	5
SPC315/6MA	315	324,6	6	3535	20	162	259	36,5	89	36,5	175	6	SPC530/5MA	530	539,6	5	4545	-	136	474	11	114	11	240	5
SPC315/8MA			8	4040	-	213	259	55,5	102	55,5	-	3	SPC530/6MA			6	5050	-	162	474	17,5	114	17,5	265	5
SPC315/10MA			10	4545	-	264	259	75	114	75	-	3	SPC530/8MA			8	5050	30	213	474	43	127	43	267	6

Z = Number of grooves



TAPER LOCKS TRAPEZOIDAL PULLEYS - SPC



Belt section	a mm	b mm
Z	10	6
SPZ	9,7	8
XPZ	9	8
A	13	8
SPA	12,7	10
XPA	11,5	9
B	17	11
SPB	16,3	13
XPB	15,3	13
C	22	14
SPC	22	18
XPC	22	17

SPC												
Reference	Dp	De	Z	Bush	E	F	J	K	L	M	N	Type
SPC560/3MA			3	3535	-	85	504	2	89	2	175	4
SPC560/4MA			4	4040	-	111	504	4,5	102	4,5	210	5
SPC560/5MA	560	569,6	5	4545	-	136	504	11	114	11	242	5
SPC560/6MA			6	5050	-	162	504	17,5	127	17,5	267	5
SPC560/8MA			8	5050	-	213	504	43	127	43	267	5
SPC560/10MA			10	5050	-	264	504	68,5	127	68,5	267	5
SPC630/3MA			3	3535	-	85	574	8,5	102	8,5	210	4
SPC630/4MA			4	4545	-	111	574	1,5	114	1,5	242	4
SPC630/5MA	630	639,6	5	5050	-	136	574	4,5	127	4,5	267	5
SPC630/6MA			6	5050	-	162	574	17,5	127	17,5	267	5
SPC630/8MA			8	5050	-	213	574	43	127	43	267	5
SPC630/10MA			10	5050	-	264	574	68,5	127	68,5	267	5
SPC710/4MA			4	5050	-	111	654	8	127	8	267	4
SPC710/5MA			5	5050	-	136	654	4,5	127	4,5	267	5
SPC710/6MA	710	719,6	6	5050	-	162	654	17,5	127	17,5	267	5
SPC710/8MA			8	5050	-	213	654	43	127	43	267	5
SPC710/10MA			10	5050	-	264	654	68,5	127	68,5	267	5
SPC800/3MA			3	4545	-	85	737	14,5	114	14,5	242	4
SPC800/4MA			4	5050	-	111	737	8	127	8	267	4
SPC800/5MA	800	809,6	5	5050	-	136	737	4,5	127	4,5	267	5
SPC800/6MA			6	5050	-	162	737	17,5	127	17,5	267	5
SPC800/8MA			8	5050	-	213	737	43	127	43	267	5
SPC800/10MA			10	5050	-	264	737	68,5	127	68,5	267	5
SPC1000/3MA			3	5050	-	85	937	21	127	21	267	4
SPC1000/4MA			4	5050	-	111	937	8	127	8	267	4
SPC1000/5MA	1000	1009,6	5	5050	-	136	937	4,5	127	4,5	267	5
SPC1000/6MA			6	5050	-	162	937	17,5	127	17,5	267	5
SPC1000/8MA			8	5050	-	213	937	43	127	43	267	5
SPC1000/10MA			10	5050	-	264	937	68,5	127	68,5	267	5
SPC1250/3MA			3	5050	-	85	1187	21	127	21	267	4
SPC1250/4MA			4	5050	-	111	1187	8	127	8	267	4
SPC1250/5MA	1250	1259,6	5	5050	-	136	1187	4,5	127	4,5	267	5
SPC1250/6MA			6	5050	-	162	1187	17,5	127	17,5	267	5
SPC1250/8MA			8	5050	-	213	1187	43	127	43	267	5
SPC1250/10MA			10	5050	-	264	1187	68,5	127	68,5	267	5

Z = Number of grooves

All our solid bush and taper-lock pulleys are manufactured as per standards ISO 4183 & DIN 2211.

Material : G25 Cast iron + phosphorylation.

Pulleys are statically balanced

Max peripheral speed : 30m / second.