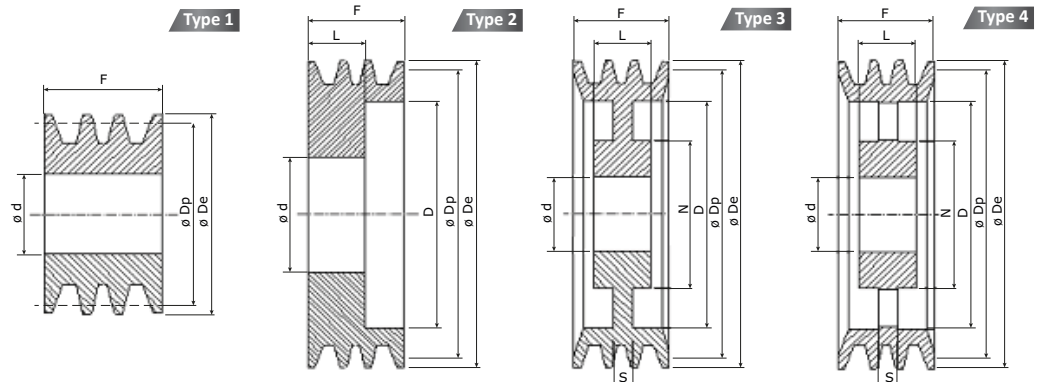


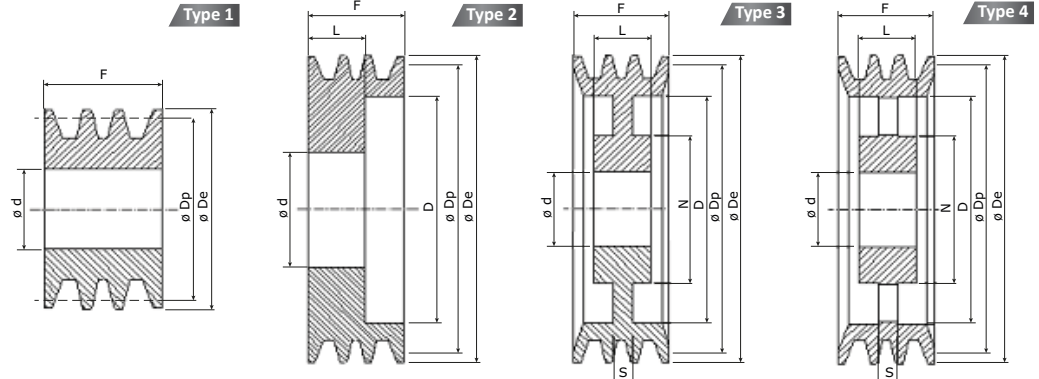


## TRAPEZOIDAL PULLEYS FOR TAPER CLAMPING - SPA



Reference	Dp	De	SPA							Type	**ØdH8		
			Z	N	L	D	S	F	Ø55		Ø65	Ø80	
SPAK090/155	90	95,5	1	-	-	-	-	20	1	55	-	-	
SPAK090/255			2	-	-	-	-	35	1	55	-	-	
SPAK090/355			3	-	-	-	-	50	1	55	-	-	
SPAK090/455			4	-	-	-	-	65	1	55	-	-	
SPAK090/555			5	-	-	-	-	80	1	55	-	-	
SPAK095/155	95	100,5	1	-	-	-	-	20	1	55	-	-	
SPAK095/255			2	-	-	-	-	35	1	55	-	-	
SPAK095/355			3	-	-	-	-	50	1	55	-	-	
SPAK095/455			4	-	-	-	-	65	1	55	-	-	
SPAK095/555			5	-	-	-	-	80	1	55	-	-	
SPAK100/1..	100	105,5	1	-	-	-	-	20	1	55	65	-	
SPAK100/2..			2	-	-	-	-	35	1	55	65	-	
SPAK100/3..			3	-	-	-	-	50	1	55	65	-	
SPAK100/4..			4	-	-	-	-	65	1	55	65	-	
SPAK100/5..			5	-	-	-	-	80	1	55	65	-	
SPAK105/1..	105	110,5	1	-	-	-	-	20	1	55	65	-	
SPAK105/2..			2	-	-	-	-	35	1	55	65	-	
SPAK105/3..			3	-	-	-	-	50	1	55	65	-	
SPAK105/4..			4	-	-	-	-	65	1	55	65	-	
SPAK105/5..			5	-	-	-	-	80	1	55	65	-	
SPAK112/1..	112	117,5	1	-	-	-	-	20	1	55	65	-	
SPAK112/2..			2	-	27	79	-	35	2	55	65	-	
SPAK112/3..			3	-	27	79	-	50	2	55	65	-	
SPAK112/4..			4	-	27	79	-	65	2	55	65	-	
SPAK112/5..			5	-	27	79	27	80	3	55	65	-	
SPAK120/1..	120	125,5	1	-	-	-	-	20	1	55	65	80	
SPAK120/2..			2	-	27	88	-	35	2	55	65	80	
SPAK120/3..			3	-	27	88	-	50	2	55	65	80	
SPAK120/4..			4	-	27	88	-	65	2	55	65	80	
SPAK120/5..			5	-	27	88	27	80	3	55	65	80	
SPAK125/1..	125	130,5	1	-	-	-	-	20	1	55	65	80	
SPAK125/2..			2	-	27	92	-	35	2	55	65	80	
SPAK125/3..			3	-	27	92	-	50	2	55	65	80	
SPAK125/4..			4	-	27	92	-	65	2	55	65	80	
SPAK125/5..			5	-	27	92	27	80	3	55	65	80	
SPAK130/1..	130	135,5	1	-	-	-	-	20	1	55	65	80	
SPAK130/2..			2	-	27	97	-	35	2	55	65	80	
SPAK130/3..			3	-	27	97	-	50	2	55	65	80	
SPAK130/4..			4	-	27	97	-	65	2	55	65	80	
SPAK130/5..			5	-	27	97	27	80	3	55	65	80	
SPAK140/1..	140	145,5	1	-	-	-	-	20	1	55	65	80	
SPAK140/2..			2	-	27	107	-	35	2	55	65	08	
SPAK140/3..			3	-	27	107	-	50	2	55	65	80	
SPAK140/4..			4	-	27	107	-	65	2	55	65	80	
SPAK140/5..			5	-	27	107	27	80	3	55	65	80	

Z = Number of grooves  
 .. = Bore diameter of the pulley (location for taper clamping)

**TRAPEZOIDAL PULLEYS FOR TAPER CLAMPING - SPA**


SPA											SPA														
Reference	Dp	De	Z	N	L	D	S	F	Type	**ØdH8	Reference	Dp	De	Z	N	L	D	S	F	Type	**ØdH8				
										Ø55 Ø65 Ø80											Ø55 Ø65 Ø80				
SPAK150/1..			1	-	-	-	-	20	1	55	65	80	SPAK300/1..		1	130	20	267	14	20	4	55	65	80	
SPAK150/2..			2	-	27	117	-	35	2	55	65	80	SPAK300/2..		2	130	27	267	14	35	4	55	65	80	
SPAK150/3..	150	155,5	3	-	27	117	-	50	2	55	65	80	SPAK300/3..	300	305,5	3	130	27	267	14	50	4	55	65	80
SPAK150/4..			4	-	27	117	-	65	2	55	65	80	SPAK300/4..		4	130	27	267	14	65	4	-	65	80	
SPAK150/5..			5	-	27	117	27	80	3	55	65	80	SPAK300/5..		5	130	27	267	14	80	4	-	65	80	
SPAK160/1..			1	-	-	-	-	20	1	55	65	80	SPAK315/1..		1	130	20	282	14	20	4	55	65	80	
SPAK160/2..			2	-	27	127	-	35	2	55	65	80	SPAK315/2..		2	130	27	282	14	35	4	55	65	80	
SPAK160/3..	160	165,5	3	-	27	127	-	50	2	55	65	80	SPAK315/3..	315	320,5	3	130	27	282	14	50	4	55	65	80
SPAK160/4..			4	-	27	127	-	65	2	55	65	80	SPAK315/4..		4	130	27	282	14	65	4	-	65	80	
SPAK160/5..			5	-	27	127	27	80	3	55	65	80	SPAK315/2..		5	130	27	282	16	80	4	-	65	80	
SPAK170/1..			1	-	-	-	-	20	1	55	65	80	SPAK355/1..		1	130	20	317	14	20	4	55	65	80	
SPAK170/2..			2	-	27	137	27	35	3	55	65	80	SPAK355/2..		2	130	27	317	14	35	4	55	65	80	
SPAK170/3..	170	175,5	3	-	27	137	27	50	3	55	65	80	SPAK355/3..	355	360,5	3	130	27	317	14	50	4	55	65	80
SPAK170/4..			4	-	27	137	27	65	3	55	65	80	SPAK355/4..		4	130	27	317	18	65	4	-	65	80	
SPAK170/5..			5	-	27	137	27	80	3	55	65	80	SPAK355/5..		5	130	27	317	20	80	4	-	65	80	
SPAK180/1..			1	-	-	-	-	20	1	55	65	80	SPAK380/1..		1	130	20	347	14	20	4	-	65	80	
SPAK180/2..			2	-	27	147	27	35	3	55	65	80	SPAK380/2..		2	130	27	347	14	35	4	-	65	80	
SPAK180/3..	180	185,5	3	-	27	147	27	50	3	55	65	80	SPAK380/3..	380	385,5	3	130	27	347	14	50	4	-	65	80
SPAK180/4..			4	-	27	147	27	65	3	55	65	80	SPAK380/4..		4	130	27	347	18	65	4	-	65	80	
SPAK180/5..			5	-	27	147	27	80	3	55	65	80	SPAK380/5..		5	130	27	347	20	80	4	-	65	80	
SPAK190/1..			1	-	-	-	-	20	1	55	65	80	SPAK400/1..		1	130	20	367	14	20	4	-	65	80	
SPAK190/2..			2	120	27	157	12	35	3	55	65	80	SPAK400/2..		2	130	27	367	14	35	4	-	65	80	
SPAK190/3..	190	195,5	3	120	27	157	12	50	3	55	65	80	SPAK400/3..	400	405,5	3	130	27	367	16	50	4	-	65	80
SPAK190/4..			4	120	27	157	12	65	3	55	65	80	SPAK400/4..		4	130	27	367	20	65	4	-	65	80	
SPAK190/5..			5	120	27	157	12	80	3	55	65	80	SPAK400/5..		5	130	27	367	24	80	4	-	65	80	
SPAK200/1..			1	-	-	-	-	20	1	55	65	80	SPAK425/1..		1	130	20	392	14	20	4	-	65	80	
SPAK200/2..			2	120	27	167	12	35	3	55	65	80	SPAK425/2..		2	130	27	392	14	35	4	-	65	80	
SPAK200/3..	200	205,5	3	120	27	167	14	50	3	55	65	80	SPAK425/3..	425	430,5	3	130	27	392	16	50	4	-	65	80
SPAK200/4..			4	120	27	167	14	65	3	55	65	80	SPAK425/4..		4	130	27	392	20	65	4	-	65	80	
SPAK200/5..			5	120	27	167	14	80	3	55	65	80	SPAK425/5..		5	130	27	392	24	80	4	-	65	80	
SPAK225/1..			1	120	20	192	12	20	3	55	65	80	SPAK450/1..		1	130	20	417	14	20	4	-	65	80	
SPAK225/2..			2	120	27	192	12	35	3	55	65	80	SPAK450/2..		2	130	27	417	14	35	4	-	65	80	
SPAK225/3..	225	230,5	3	120	27	192	14	50	3	55	65	80	SPAK450/3..	450	455,5	3	130	27	417	16	50	4	-	65	80
SPAK225/4..			4	120	27	192	14	65	3	-	65	80	SPAK450/4..		4	130	27	417	20	65	4	-	65	80	
SPAK225/5..			5	120	27	192	14	80	3	-	65	80	SPAK450/5..		5	130	27	417	24	80	4	-	65	80	
SPAK250/1..			1	130	20	217	14	20	4	55	65	80	SPAK500/1..		1	130	20	467	14	20	4	-	65	80	
SPAK250/2..			2	130	27	217	14	35	4	55	65	80	SPAK500/2..		2	130	27	467	16	35	4	-	65	80	
SPAK250/3..	250	255,5	3	130	27	217	14	50	4	55	65	80	SPAK500/3..	500	505,5	3	130	27	467	20	50	4	-	65	80
SPAK250/4..			4	130	27	217	14	65	4	-	65	80	SPAK500/4..		4	130	27	467	25	65	4	-	65	80	
SPAK250/5..			5	130	27	217	14	80	4	-	65	80	SPAK500/5..		5	130	27	467	25	80	4	-	65	80	
SPAK280/1..			1	130	20	247	14	20	4	55	65	80	SPAK630/1..		1	130	20	597	16	20	4	-	65	80	
SPAK280/2..			2	130	27	247	14	35	4	55	65	80	SPAK630/2..		2	130	27	597	20	35	4	-	65	80	
SPAK280/3..	280	285,5	3	130	27	247	14	50	4	55	65	80	SPAK630/3..	630	635,5	3	130	27	597	22	50	4	-	65	80
SPAK280/4..			4	130	27	247	14	65	4	-	65	80	SPAK630/4..		4	130	27	597	25	65	4	-	65	80	
SPAK280/5..			5	120	27	247	14	80	4	-	65	80	SPAK630/5..		5	130	27	597	25	80	4	-	65	80	

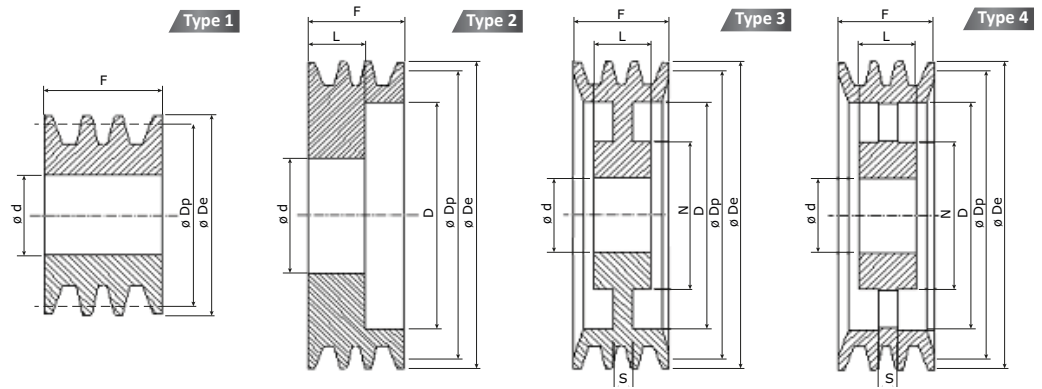
Z = Number of grooves

\* Made in steel

.. = Bore diameter of the pulley (location for taper clamping)

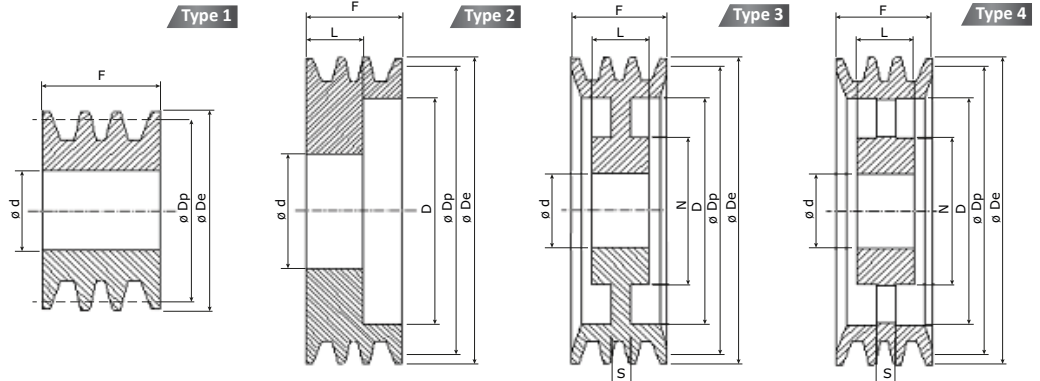


TRAPEZOIDAL PULLEYS FOR TAPER CLAMPING - SPB



Reference	Dp	De	SPB							Type	**ØdH8		
			Z	N	L	D	S	F	Ø55		Ø65	Ø80	
SPBK90/155	90	97	1	-	-	-	-	25	1	55	-	-	
SPBK90/255			2	-	27	-	-	44	1	55	-	-	
SPBK90/355			3	-	27	-	-	63	1	55	-	-	
SPBK90/455			4	-	27	-	-	82	1	55	-	-	
SPBK90/555			5	-	27	-	-	101	1	55	-	-	
SPBK105/155	105	112	1	-	-	-	-	25	1	55	-	-	
SPBK105/255			2	-	27	65	-	44	2	55	-	-	
SPBK105/355			3	-	27	65	-	63	2	55	-	-	
SPBK105/455			4	-	27	65	-	82	2	55	-	-	
SPBK105/555			5	-	27	65	-	101	2	55	-	-	
SPBK112/155	112	119	1	-	-	-	-	25	1	55	-	-	
SPBK112/255			2	-	27	70	-	44	2	55	-	-	
SPBK112/355			3	-	27	70	-	63	2	55	-	-	
SPBK112/455			4	-	27	70	-	82	2	55	-	-	
SPBK112/555			5	-	27	70	-	101	2	55	-	-	
SPBK120/1..	120	127	1	-	-	-	-	25	1	55	65	-	
SPBK120/2..			2	-	27	78	-	44	2	55	65	-	
SPBK120/3..			3	-	27	78	-	63	2	55	65	-	
SPBK120/4..			4	-	27	78	-	82	2	55	65	-	
SPBK120/5..			5	-	27	78	-	101	2	55	65	-	
SPBK125/1..	125	132	1	-	-	-	-	25	1	55	65	-	
SPBK125/2..			2	-	27	83	-	44	2	55	65	-	
SPBK125/3..			3	-	27	83	-	63	2	55	65	-	
SPBK125/4..			4	-	27	83	-	82	2	55	65	-	
SPBK125/5..			5	-	27	83	-	101	2	55	65	-	
SPBK130/1..	130	137	1	-	-	-	-	25	1	55	65	80	
SPBK130/2..			2	-	27	90	-	44	2	55	65	80	
SPBK130/3..			3	-	27	90	-	63	2	55	65	80	
SPBK130/4..			4	-	27	90	-	82	2	55	65	80	
SPBK130/5..			5	-	27	90	-	101	2	55	65	80	
SPBK140/1..	140	147	1	-	-	-	-	25	1	55	65	80	
SPBK140/2..			2	-	27	98	-	44	2	55	65	80	
SPBK140/3..			3	-	27	98	-	63	2	55	65	80	
SPBK140/4..			4	-	27	98	-	82	2	55	65	80	
SPBK140/5..			5	-	27	98	-	101	2	55	65	80	
SPBK150/1..	150	157	1	-	-	-	-	25	1	55	65	80	
SPBK150/2..			2	-	27	108	-	44	2	55	65	80	
SPBK150/3..			3	-	27	108	-	63	2	55	65	80	
SPBK150/4..			4	-	27	108	-	82	2	55	65	80	
SPBK150/5..			5	-	27	108	-	101	2	55	65	80	
SPBK160/1..	160	167	1	-	-	-	-	25	1	55	65	80	
SPBK160/2..			2	-	27	118	-	44	2	55	65	80	
SPBK160/3..			3	-	27	118	-	63	2	55	65	80	
SPBK160/4..			4	-	27	118	-	82	2	55	65	80	
SPBK160/5..			5	-	27	118	-	101	2	55	65	80	

Z = Number of grooves  
 .. = Bore diameter of the pulley (location for taper clamping)

**TRAPEZOIDAL PULLEYS FOR TAPER CLAMPING - SPB**


SPB											SPB														
Reference	Dp	De	Z	N	L	D	S	F	Type	**ØdH8	Reference	Dp	De	Z	N	L	D	S	F	Type	**ØdH8				
										Ø55 Ø65 Ø80											Ø55 Ø65 Ø80				
SPBK170/1..			1	-	-	-	-	25	1	55	65	80	SPBK280/1..	1	120	25	238	16	25	3	55	65	80		
SPBK170/2..			2	-	27	128	27	44	3	55	65	80	SPBK280/2..	2	120	27	238	16	44	3	55	65	80		
SPBK170/3..	170	177	3	-	27	128	27	63	3	55	65	80	SPBK280/3..	280	287	3	120	27	238	16	63	3	-	65	80
SPBK170/4..			4	-	27	128	27	82	3	55	65	80	SPBK280/4..			4	120	27	238	16	82	3	-	65	80
SPBK170/5..			5	-	27	128	27	101	3	55	65	80	SPBK280/5..			5	130	27	238	16	101	3	-	65	80
SPBK180/1..			1	-	-	-	-	25	1	55	65	80	SPBK300/1..			1	130	25	258	15	25	4	55	65	80
SPBK180/2..			2	-	27	138	27	44	3	55	65	80	SPBK300/2..			2	130	27	258	15	44	4	55	65	80
SPBK180/3..	180	187	3	-	27	138	27	63	3	55	65	80	SPBK300/3..	300	307	3	130	27	258	18	63	4	-	65	80
SPBK180/4..			4	-	27	138	27	82	3	55	65	80	SPBK300/4..			4	130	27	258	20	82	4	-	65	80
SPBK180/5..			5	-	27	138	27	101	3	55	65	80	SPBK300/5..			5	130	27	258	22	101	4	-	65	80
SPBK190/1..			1	-	-	-	-	25	1	55	65	80	SPBK315/1..			1	130	25	273	15	25	4	55	65	80
SPBK190/2..			2	-	27	148	27	44	3	55	65	80	SPBK315/2..			2	130	27	273	15	44	4	55	65	80
SPBK190/3..	190	197	3	-	27	148	27	63	3	55	65	80	SPBK315/3..	315	322	3	130	27	273	18	63	4	-	65	80
SPBK190/4..			4	-	27	148	27	82	3	55	65	80	SPBK315/4..			4	130	27	273	20	82	4	-	65	80
SPBK190/5..			5	-	27	148	27	101	3	55	65	80	SPBK315/5..			5	130	27	273	22	101	4	-	65	80
SPBK200/1..			1	-	-	-	-	25	1	55	65	80	SPBK355/1..			1	130	25	308	16	25	4	55	65	80
SPBK200/2..			2	120	27	158	15	44	3	55	65	80	SPBK355/2..			2	130	27	308	18	44	4	-	65	80
SPBK200/3..	200	207	3	120	27	158	15	63	3	55	65	80	SPBK355/3..	355	362	3	130	27	308	22	63	4	-	65	80
SPBK200/4..			4	120	27	158	15	82	3	55	65	80	SPBK355/4..			4	130	27	308	22	82	4	-	65	80
SPBK200/5..			5	120	27	158	15	101	3	55	65	80	SPBK355/5..			5	130	27	308	24	101	4	-	65	80
SPBK200/6..			6	120	27	158	18	120	3	55	65	80	SPBK380/1..			1	130	25	338	20	25	4	-	65	80
SPBK212/1..			1	120	25	170	15	25	3	55	65	80	SPBK380/2..			2	130	27	338	20	44	4	-	65	80
SPBK212/2..			2	120	27	170	15	44	3	55	65	80	SPBK380/3..	380	387	3	130	27	338	22	63	4	-	65	80
SPBK212/3..	212	219	3	120	27	170	15	63	3	55	65	80	SPBK380/4..			4	130	27	338	24	82	4	-	65	80
SPBK212/4..			4	120	27	170	15	82	3	-	65	80	SPBK380/5..			5	130	27	338	24	101	4	-	65	80
SPBK212/5..			5	120	27	170	15	101	3	-	65	80	SPBK400/1..			1	130	25	358	20	25	4	-	65	80
SPBK225/1..			1	120	25	183	15	25	3	55	65	80	SPBK400/2..			2	130	27	358	20	44	4	-	65	80
SPBK225/2..			2	120	27	183	15	44	3	55	65	80	SPBK400/3..	400	407	3	130	27	358	22	63	4	-	65	80
SPBK225/3..	225	232	3	120	27	183	15	63	3	55	65	80	SPBK400/4..			4	130	27	358	24	82	4	-	65	80
SPBK225/4..			4	120	27	183	15	82	3	-	65	80	SPBK400/5..			5	130	27	358	24	101	4	-	65	80
SPBK225/5..			5	120	27	183	15	101	3	-	65	80	SPBK425/1..			1	130	25	383	22	25	4	-	65	80
SPBK225/6..			6	120	27	183	18	120	3	-	65	80	SPBK425/2..			2	130	27	383	22	44	4	-	65	80
SPBK240/1..			1	120	25	198	16	25	3	55	65	80	SPBK425/3..	425	432	3	130	27	383	24	63	4	-	65	80
SPBK240/2..			2	120	27	198	16	44	3	55	65	80	SPBK425/4..			4	130	27	383	24	82	4	-	65	80
SPBK240/3..	240	247	3	120	27	198	16	63	3	55	65	80	SPBK425/5..			5	130	27	383	24	101	4	-	65	80
SPBK240/4..			4	120	27	198	16	82	3	-	65	80	SPBK450/1..			1	130	25	408	20	25	4	-	65	80
SPBK240/5..			5	130	27	198	16	101	3	-	65	80	SPBK450/2..			2	130	27	408	20	44	4	-	65	80
SPBK250/1..			1	120	25	208	16	25	3	55	65	80	SPBK450/3..	450	457	3	130	27	408	24	63	4	-	65	80
SPBK250/2..			2	120	27	208	16	44	3	55	65	80	SPBK450/4..			4	130	27	408	24	82	4	-	65	80
SPBK250/3..	250	257	3	120	27	208	16	63	3	55	65	80	SPBK450/5..			5	130	27	408	24	101	4	-	65	80
SPBK250/4..			4	120	27	208	16	82	3	-	65	80	SPBK500/1..			1	130	25	458	20	25	4	-	65	80
SPBK250/5..			5	130	27	208	16	101	3	-	65	80	SPBK500/2..			2	130	27	458	20	44	4	-	65	80
SPBK250/6..			6	130	27	208	18	120	3	-	65	80	SPBK500/3..	500	507	3	130	27	458	24	63	4	-	65	80
													SPBK500/4..			4	130	27	458	24	82	4	-	65	80
													SPBK500/5..			5	130	27	458	24	101	4	-	65	80

Z = Number of grooves

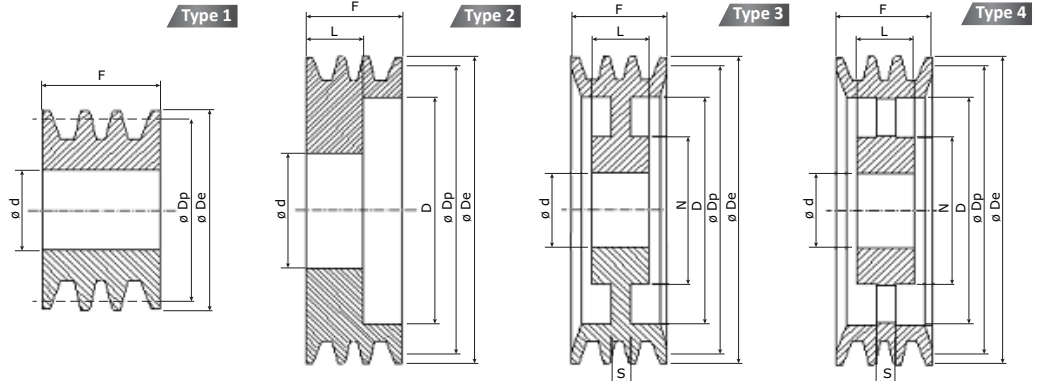
\* Made in steel

.. = Bore diameter of the pulley (location for taper clamping)





## TRAPEZOIDAL PULLEYS FOR TAPER CLAMPING - SPC



SPC												
Reference	Dp	De	Z	N	L	D	S	F	Type	** $\phi$ dH8		
										$\phi$ 55 $\phi$ 65 $\phi$ 80		
SPCK130/1..			1	-	25	75	-	34	2	55	65	-
SPCK130/2..			2	-	27	75	-	59,5	2	55	65	-
SPCK130/3..	130	139,6	3	-	27	75	-	85	2	55	65	-
SPCK130/4..			4	-	27	75	-	111	2	55	65	-
SPCK130/5..			5	-	27	75	-	136	2	55	65	-
SPCK140/1..			1	-	25	83	-	34	2	55	65	-
SPCK140/2..			2	-	27	83	-	59,5	2	55	65	-
SPCK140/3..	140	149,6	3	-	27	83	-	85	2	55	65	-
SPCK140/4..			4	-	27	83	-	111	2	55	65	-
SPCK140/5..			5	-	27	83	-	136	2	55	65	-
SPCK150/1..			1	-	25	93	-	34	2	55	65	80
SPCK150/2..			2	-	27	93	-	59,5	2	55	65	80
SPCK150/3..	150	159,6	3	-	27	93	-	85	2	55	65	80
SPCK150/4..			4	-	27	93	-	111	2	55	65	80
SPCK150/5..			5	-	27	93	-	136	2	55	65	80
SPCK160/1..			1	-	25	103	-	34	2	55	65	80
SPCK160/2..			2	-	27	103	-	59,5	2	55	65	80
SPCK160/3..	160	169,6	3	-	27	103	-	85	2	55	65	80
SPCK160/4..			4	-	27	103	-	111	3	55	65	80
SPCK160/5..			5	-	27	103	-	136	3	55	65	80
SPCK170/1..			1	-	25	113	-	34	2	55	65	80
SPCK170/2..			2	-	27	113	-	59,5	2	55	65	80
SPCK170/3..	170	179,6	3	-	27	113	-	85	2	55	65	80
SPCK170/4..			4	-	27	113	-	111	3	55	65	80
SPCK170/5..			5	-	27	113	-	136	3	55	65	80
SPCK180/1..			1	-	25	123	-	34	2	55	65	80
SPCK180/2..			2	-	27	123	-	59,5	2	55	65	80
SPCK180/3..	180	189,6	3	-	27	123	-	85	2	55	65	80
SPCK180/4..			4	-	27	123	-	111	3	55	65	80
SPCK180/5..			5	-	27	123	-	136	3	55	65	80
SPCK190/1..			1	-	25	133	-	34	2	55	65	80
SPCK190/2..			2	-	27	133	-	59,5	2	55	65	80
SPCK190/3..	190	199,6	3	-	27	133	-	85	2	55	65	80
SPCK190/4..			4	-	27	133	-	111	3	55	65	80
SPCK190/5..			5	-	27	133	-	136	3	55	65	80
SPCK200/1..			1	-	25	143	-	34	2	55	65	80
SPCK200/2..			2	-	27	143	-	59,5	2	55	65	80
SPCK200/3..	200	209,6	3	-	27	143	-	85	2	55	65	80
SPCK200/4..			4	-	27	143	-	111	3	55	65	80
SPCK200/5..			5	-	27	143	-	136	3	55	65	80
SPCK225/1..			1	120	25	168	18	34	3	-	65	80
SPCK225/2..			2	120	27	168	18	59,5	3	-	65	80
SPCK225/3..	225	234,6	3	120	27	168	25	85	3	-	65	80
SPCK225/4..			4	120	27	168	25	111	3	-	65	80
SPCK225/5..			5	120	27	168	25	136	3	-	65	80

Z = Number of grooves

\* Made in steel

.. = Bore diameter of the pulley (location for taper clamping)

SPC												
Reference	Dp	De	Z	N	L	D	S	F	Type	** $\phi$ dH8		
										$\phi$ 55 $\phi$ 65 $\phi$ 80		
SPCK250/1..			1	120	25	193	18	34	3	-	65	80
SPCK250/2..			2	120	27	193	18	59,5	3	-	65	80
SPCK250/3..	250	259,6	3	120	27	193	25	85	3	-	65	80
SPCK250/4..			4	130	27	193	25	111	3	-	65	80
SPCK250/5..			5	130	27	193	25	136	3	-	65	80
SPCK280/1..			1	120	27	223	18	34	3	-	65	80
SPCK280/2..			2	120	27	223	18	59,5	3	-	65	80
SPCK280/3..	280	289,6	3	120	27	223	25	85	3	-	65	80
SPCK280/4..			4	130	27	223	25	111	3	-	65	80
SPCK280/5..			5	130	27	223	25	136	3	-	65	80
SPCK300/1..			1	120	27	243	20	34	3	-	65	80
SPCK300/2..			2	120	27	243	20	59,5	3	-	65	80
SPCK300/3..	300	309,6	3	120	27	243	25	85	3	-	65	80
SPCK300/4..			4	130	27	243	25	111	3	-	65	80
SPCK300/5..			5	130	27	243	25	136	3	-	65	80
SPCK315/1..			1	130	27	258	20	34	4	-	65	80
SPCK315/2..			2	130	27	258	20	59,5	4	-	65	80
SPCK315/3..	315	324,6	3	130	27	258	25	85	4	-	65	80
SPCK315/4..			4	130	27	258	25	111	4	-	65	80
SPCK315/5..			5	130	27	258	25	136	4	-	65	80
SPCK355/1..			1	130	27	298	25	34	4	-	65	80
SPCK355/2..			2	130	27	298	25	59,5	4	-	65	80
SPCK355/3..	355	364,6	3	130	27	298	25	85	4	-	65	80
SPCK355/4..			4	130	27	298	25	111	4	-	65	80
SPCK355/5..			5	130	27	298	25	136	4	-	65	80
SPCK380/1..			1	130	27	323	25	34	4	-	65	80
SPCK380/2..			2	130	27	323	25	59,5	4	-	65	80
SPCK380/3..	380	389,6	3	130	27	323	25	85	4	-	65	80
SPCK380/4..			4	130	27	323	25	111	4	-	65	80
SPCK380/5..			5	130	27	323	25	136	4	-	65	80
SPCK400/1..			1	130	27	343	25	34	4	-	65	80
SPCK400/2..			2	130	27	343	25	59,5	4	-	65	80
SPCK400/3..	400	409,6	3	130	27	343	25	85	4	-	65	80
SPCK400/4..			4	130	27	343	25	111	4	-	65	80
SPCK400/5..			5	130	27	343	25	136	4	-	65	80
SPCK425/1..			1	130	27	368	25	34	4	-	65	80
SPCK425/2..			2	130	27	368	25	59,5	4	-	65	80
SPCK425/3..	425	434,6	3	130	27	368	25	85	4	-	65	80
SPCK425/4..			4	130	27	368	25	111	4	-	65	80
SPCK425/5..			5	130	27	368	25	136	4	-	65	80
SPCK450/1..			1	130	27	393	25	34	4	-	65	80
SPCK450/2..			2	130	27	393	25	59,5	4	-	65	80
SPCK450/3..	450	459,6	3	130	27	393	25	85	4	-	65	80
SPCK450/4..			4	130	27	393	25	111	4	-	65	80
SPCK450/5..			5	130	27	393	25	136	4	-	65	80
SPCK500/1..			1	130	27	443	25	34	4	-	65	80
SPCK500/2..			2	130	27	443	25	59,5	4	-	65	80
SPCK500/3..	500	509,6	3	130	27	443	25	85	4	-	65	80
SPCK500/4..			4	130	27	443	25	111	4	-	65	80
SPCK500/5..			5	130	27	443	25	136	4	-	65	80