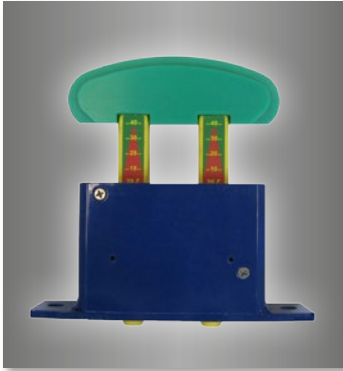
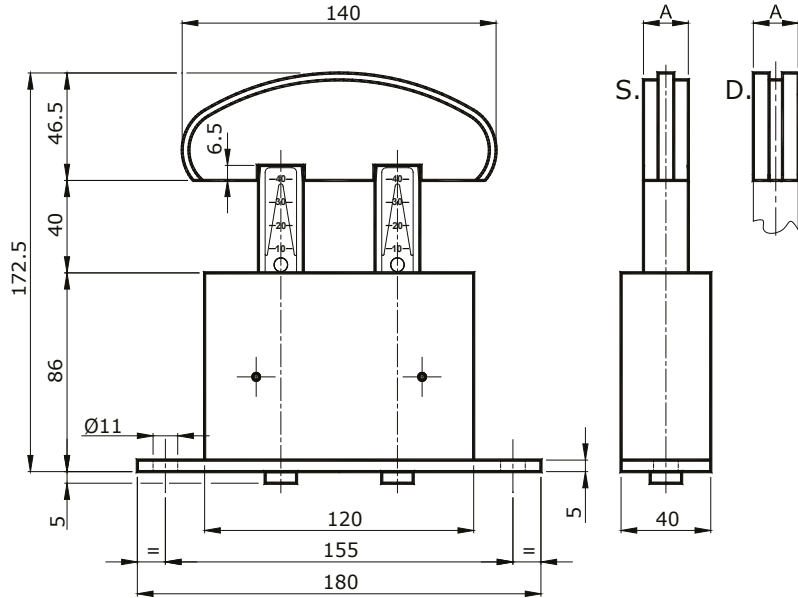




KOMPLETTE AXIALE SPANNVORRICHTUNGEN TCD + KETTENGLEITER QG



Typ TCDZ mit Federn aus verzinktem Stahl
 Typ TCDX mit Federn aus rostfreiem Stahl



Kette DIN 8187 ISO	Mit Federn aus verzinktem Stahl			Mit Feder aus rostfreiem Stahl		
	TCDZ + QG	TCDZ	QG	TCDX	TCDX+ QG	
						A

05-B1	8mm	TCD10ZQG0S	TCD 10 Z	QG 0 S	20	TCD 10 X	TCD10XQG0S
06-B1	3/8"x7/32"	TCD10ZQG1S	TCD 10 Z	QG 1 S	20	TCD 10 X	TCD10XQG1S
06-B1	3/8"x7/32"	TCD20ZQG1S	TCD 20 Z	QG 1 S	20	TCD 20 X	TCD20XQG1S
08-B1	1/2"x5/16"	TCD10ZQG2S	TCD 10 Z	QG 2 S	20	TCD 10 X	TCD10XQG2S
08-B1	1/2"x5/16"	TCD20ZQG2S	TCD 20 Z	QG 2 S	20	TCD 20 X	TCD20XQG2S
10-B1	5/8"x3/8"	TCD20ZQG3S	TCD 20 Z	QG 3 S	20	TCD 20 X	TCD20XQG3S
10-B1	5/8"x3/8"	TCD30ZQG3S	TCD 30 Z	QG 3 S	20	TCD 30 X	TCD30XQG3S
12-B1	3/4"x7/16"	TCD30ZQG4S	TCD 30 Z	QG 4 S	20	TCD 30 X	TCD30XQG4S
16-B1	1"x17,02mm	TCD30ZQG5S	TCD 30 Z	QG 5 S	25	TCD 30 X	TCD30XQG5S
16-B1	1"x17,02mm	TCD40ZQG5S	TCD 40 Z	QG 5 S	25	TCD 40 X	TCD40XQG5S
20-B1	1"1/4x3/4"	TCD30ZQG6S	TCD 30 Z	QG 6 S	25	TCD 30 X	TCD30XQG6S
20-B1	1"1/4x3/4"	TCD40ZQG6S	TCD 40 Z	QG 6 S	25	TCD 40 X	TCD40XQG6S
24-B1	1"1/2x1"	TCD30ZQG7S	TCD 30 Z	QG 7 S	30	TCD 30 X	TCD30XQG7S
24-B1	1"1/2x1"	TCD40ZQG7S	TCD 40 Z	QG 7 S	30	TCD 40 X	TCD40XQG7S
05-B2	8mm	TCD10ZQG0D	TCD 10 Z	QG 0 D	20	TCD 10 X	TCD10XQG0D
06-B2	3/8"x7/32"	TCD10ZQG1D	TCD 10 Z	QG 1 D	20	TCD 10 X	TCD10XQG1D
06-B2	3/8"x7/32"	TCD20ZQG1D	TCD 20 Z	QG 1 D	20	TCD 20 X	TCD20XQG1D
08-B2	1/2"x5/16"	TCD20ZQG2D	TCD 20 Z	QG 2 D	20	TCD 20 X	TCD20XQG2D
10-B2	5/8"x3/8"	TCD20ZQG3D	TCD 20 Z	QG 3 D	25	TCD 20 X	TCD20XQG3D
10-B2	5/8"x3/8"	TCD30ZQG3D	TCD 30 Z	QG 3 D	25	TCD 30 X	TCD30XQG3D
12-B2	3/4"x7/16"	TCD30ZQG4D	TCD 30 Z	QG 4 D	30	TCD 30 X	TCD30XQG4D
16-B2	1"x17,02mm	TCD30ZQG5D	TCD 30 Z	QG 5 D	48	TCD 30 X	TCD30XQG5D
16-B2	1"x17,02mm	TCD40ZQG5D	TCD 40 Z	QG 5 D	48	TCD 40 X	TCD40XQG5D
20-B2	1"1/4x3/4"	TCD30ZQG6D	TCD 30 Z	QG 6 D	55	TCD 30 X	TCD30XQG6D
20-B2	1"1/4x3/4"	TCD40ZQG6D	TCD 40 Z	QG 6 D	55	TCD 40 X	TCD40XQG6D
24-B2	1"1/2x1"	TCD30ZQG7D	TCD 30 Z	QG 7 D	70	TCD 30 X	TCD30XQG7D
24-B2	1"1/2x1"	TCD40ZQG7D	TCD 40 Z	QG 7 D	70	TCD 40 X	TCD40XQG7D

Spannvorrichtungen für Dreifachketten nur auf Anfrage.