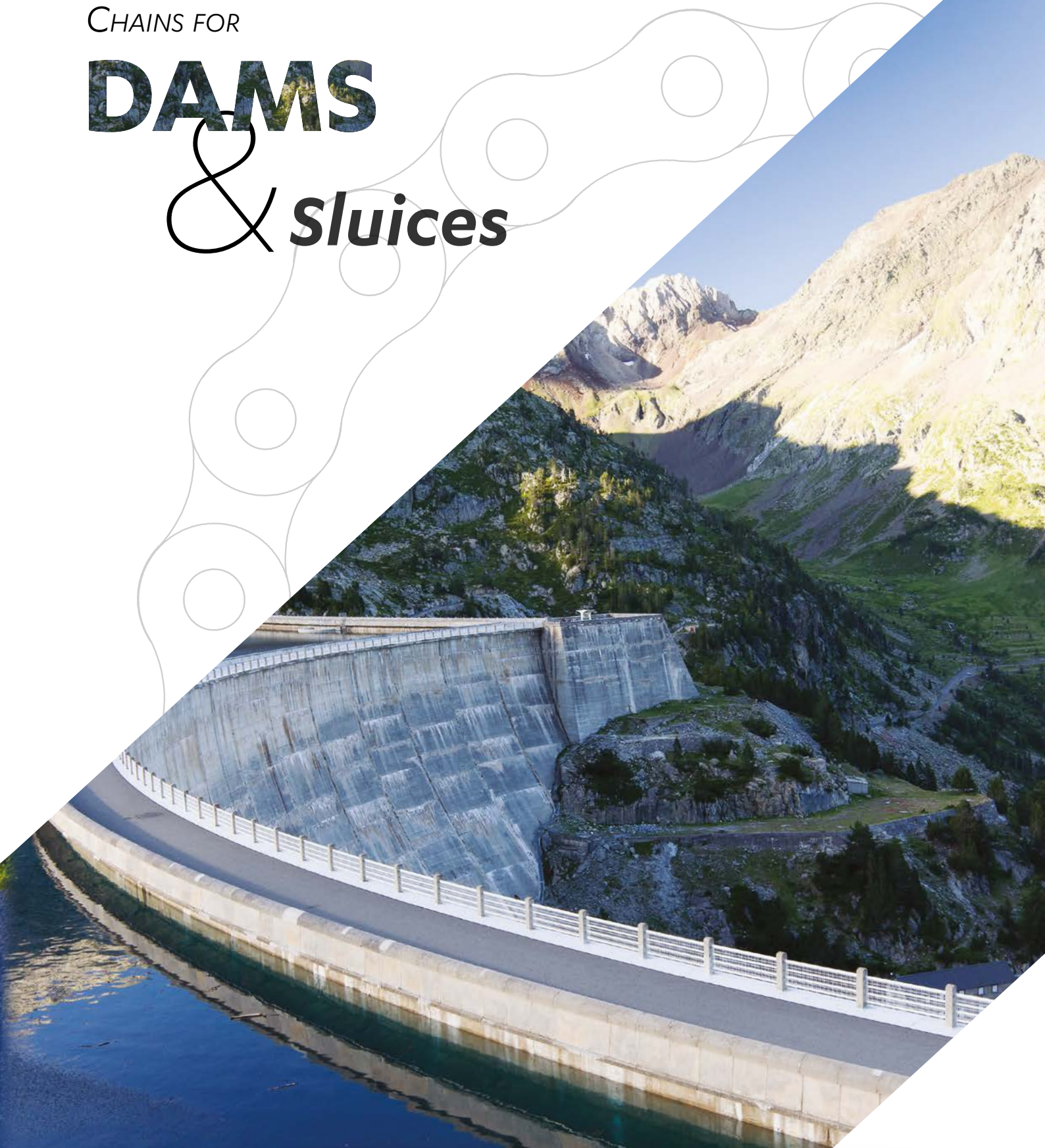


CHAINS FOR

# DAMS & Sluices



A UNIQUE KNOW-HOW FROM DESIGN TO INSTALLATION

# THE STRENGTH OF EXPERTS' DES



Our engineering department relies on 100 years of experience in Dams chains, and in particular in Galle chains, to design and recommend the most suited product, according to your specifications:

- **Visits** on site by our Sales Engineers
- **Selection of steels** as needed and according to the required breaking loads.
- Response to specifications demanding a **long service life**.

Thanks to its expertise, Sedis is also capable of selecting the **technical solution** the most adapted to your constraints:

- Chains in **stainless steel**
- **Anticorrosion** treatment by Geomet or zinc-plating.
- **Self-lubricated** chains: a chain with self-lubricating bushes enabling the chain to work without extra lubrication, for **maintenance reduction**.

## DID YOU KNOW?

*The first link chain with gears was invented and patented in 1829 by André Galle. These high resistance chains are still used today on some demanding applications such as dams.*

**SIGN**

**sedis** 

CHAINS FOR DAMS & SLICES

“ We design customised chains adapted to our customer’s application and need. We always propose the most suitable solution for the best performance. ”

**MORE THAN 100**  
DIFFERENT  
DAM CHAINS MODELS  
developed by SEDIS  
until today

# THE CONTROL OF THE PRODUCT

Sedis identity is based on a simple principle: **quality**. That is why we are proud of our production made in France, located in Troyes since 1946, and ISO 9001 certified since 1989.

We can show reactivity, flexibility and control in the implementation of your chains manufacture:

- Dimensional precision with **pitch regularity**
- Production of components and **precision assembly**
- Control of the **pre-lubrication** system

As quality is also combined with **eco-responsibility**, we are engaged in an environmental approach :

- Possibility to use **biodegradable oils**.
- Conformity to **European directives** :  
Free of heavy metals and dangerous substances including hexavalent chromium.
- A range which **respects environment**:  
Self-lubricating chains, lube-free and therefore with no risk of pollution.

## DID YOU KNOW ?

*SEDIS was the first chain producer in the world to get the ISO 9001 certification !*

# TION PROCESS



CHAINS FOR DAMS & SLUICES

“ Our strength : be present on all types of dams: on «ski jumps», slide-gates, radial gates, knife-gates, cylinder valves, and trickle valves.”

**MORE THAN 100**  
YEARS OF EXPERIENCE  
in dam chains production

# THE SAFETY OF A SPECIALIST

Your safety is our priority, that is why we can do on request many tests on materials and on finished products before delivery:


- **Hardness** and pin depression **tests, tensile tests**
- **Non-destructive controls** (VTR, ultrasound, dye penetrant inspection...)
- Tooth bottom control jig : **complete checking** and wheel tooth wear control before installation.

On request, we can also supply a **complete technical report** with details of each production step :

- **Traceability** of your order from receipt to delivery
- **Official quality reports** that gather dimension measurement, material certificates, tests results...

## DID YOU KNOW ?

*SEDIS is the only chain producer to propose a service of installation & maintenance.*

A close-up photograph of a worker in a blue hard hat and blue work jacket with high-visibility yellow-green stripes. The worker is focused on adjusting a bright green webbing strap that is attached to a large, dark metal chain. The chain is part of a complex industrial mechanism, likely a dam or sluice gate. The background is slightly blurred, showing more of the industrial environment. The top left corner of the image has a white background with faint, overlapping circular patterns.

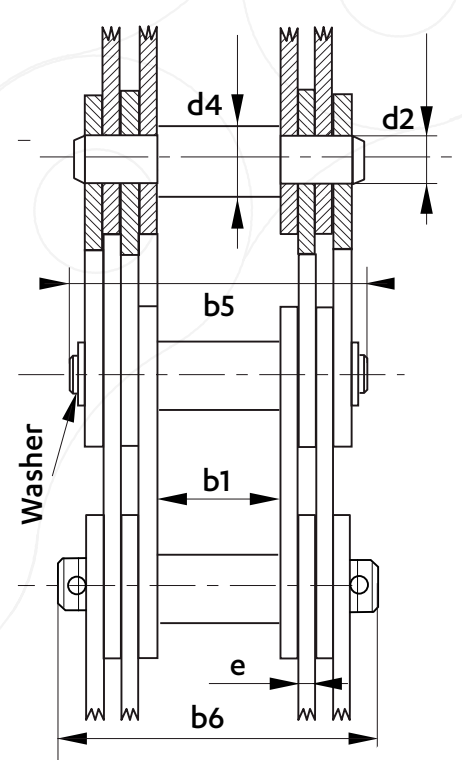
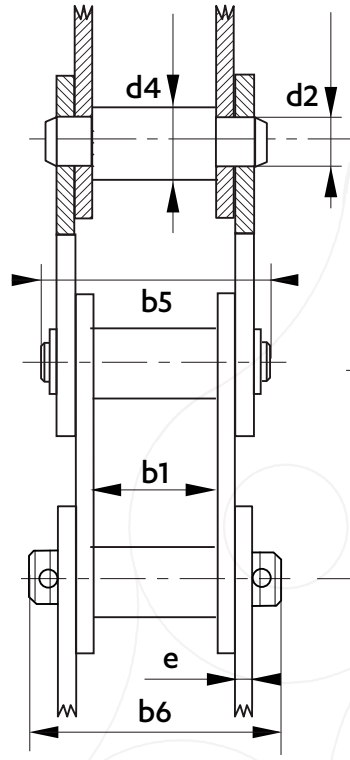
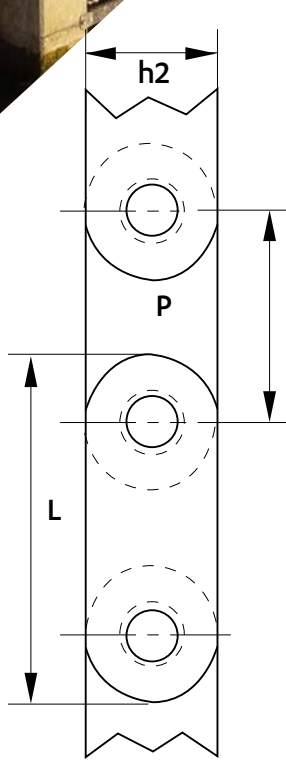
*“ We dedicate all our expertise to the high safety of our customers, that is why the major hydroelectric dams companies trust us for their chain production, and sometimes for their installation and maintenance. ”*

**MORE THAN 100**  
DAMS & SLUICES in the  
world are equipped with  
SEDIS chains

# EXAMPLES OF PRODUCTS

## SIMPLEX

## DUPLEX

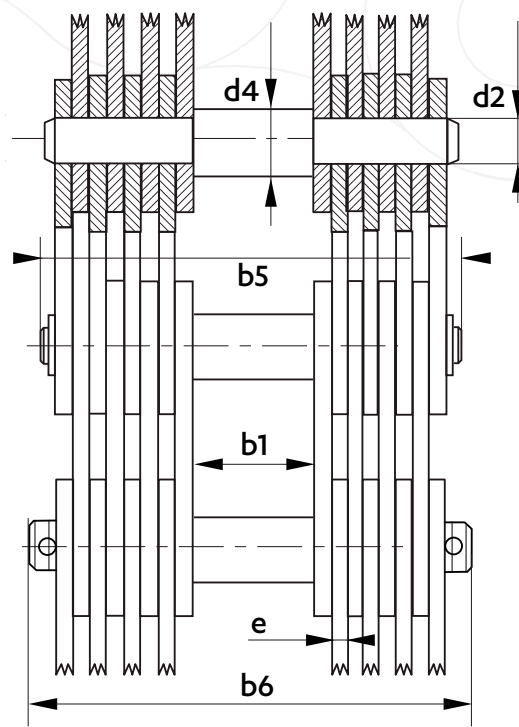
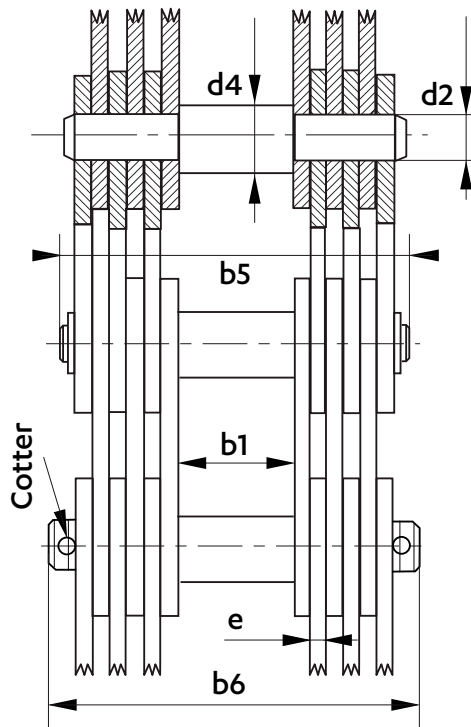


Chain ref	Pitch	Maintenance-free chains	SPINDLES				PLATES		Minimum breaking load kN	
			Spindle diameter $d_4$	Inner plates width $b_1$	Pin diameter $d_2$	LENGTH over riveted pins on washers $b_5$	LENGTH over cotttered pins $b_6$	Width $h_2$		Thickness $e$
SIMPLEX										
5835-01	103,2		44,45	49	32,8		142,3	61	12	422
DUPLEX										
5760-01	60		24	30	20,8	96		50	6	410
5826-14	75	x	40	37,5	30	140		60	20	520
5916-04	95	x	45	48	35	150		80	20	736
5480-10	100		40	65	35	183,4		85	12	981
5764-04	105	x	55	35	45	177		90	30	1400
5771-02	110		55	90	51	279		90	20	1275
5813-08	120		48	60	43	183		110	12	1450
5813-13	120		48	60	44	173		85	11	1200
5813-17	120	x	55	60	45	202		100	30	1400
5919-01	155		62	90	54	241		130	15	2400
5894-01	160		75	60	65		232	130	12	3224
5894-02	160	x	75	70	65		296	130	12	3000
5902-01	180		75	90	65	266		140	18	2500



## TRIPLEX

## QUADRUPLEX



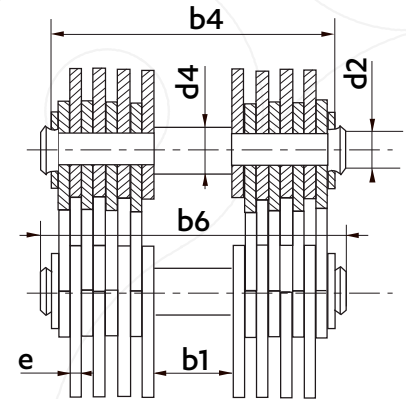
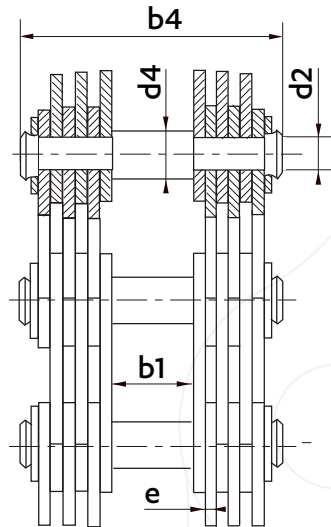
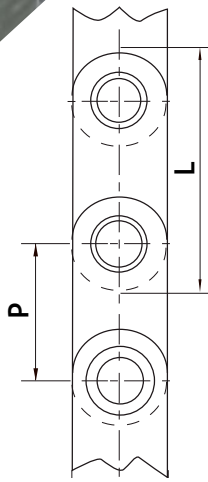
RIVETED  
RIVETED ON WASHERS  
COTTARED

Chain ref	Pitch	SPINDLES			LENGTH		PLATES		Minimum breaking load kN
		Spindle diameter d4	Inner plates width b1	Pin diameter d2	over riveted pins on washers b5	over cottared pins b6	Width h2	thickness e	
<b>TRIPLEX</b>									
5948-04	70	28	35	24	103,5		60	4	375
5826-01	75	30	37,5	27,2	129		60	5	500
5826-09	75	30	37,5	27	118		60	5	510
5753-06	86	34	56	30	148,5		70	6	750
5764-01	105	46	52	40	165		90	8&6	1250
5813-06	120	48	60	43,2	183		90	8	1250
5813-03	120	48	60	43	183		100	8	1250
5778-01	140	58	67				115		2000
5733-04	150	63	75						2250
5733-05	150	60	75		225		120	10	2500
5894-06	160	75	70	65		300	130	12	2750
5945-05	190	80	75	70		310	140	12	2200
<b>QUADRUPLEX</b>									
5868-04	80	36,8	60	32		159	65	4,5	410
5854-01	135	52	84	48	244		115	8	1750
5854-02	135	54	68	48,6		228	110	8	2100
5733-12	150	60	75	54	231		130	8	2325
5733-15	150	70	110	60		283	122	8	1500
5879-01	185	74	93	67	287		155	10	3570
5879-02	185	74	93	67	287		155	10	3420
5879-03	185	74	93	67	287		155	10	3425
5853-01	200	80	110	72	337		160	12	3250
5830-01	205	82	103	74		326	160	10	3500

# EXAMPLES OF PRODUCTS

## TRIPLEX

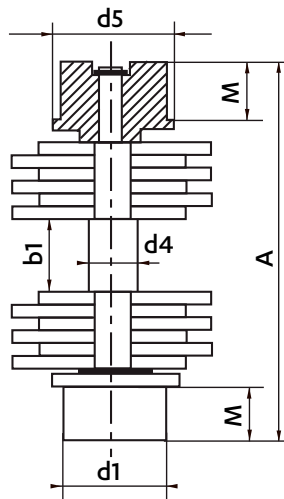
## QUADRUPLEX



Minimum breaking load	Pitch	SPINDLES					PLATES		Weight per metre
		Spindle Diameter	Pin diameter	inner plates width	LENGTH		Thickness	Length	
kN	P	D4	d2	b1	over riveted pins b4	over cottered pins b6	e	L	kg/m
<b>TRIPLEX</b>									
375	70	28	25.2	35.0	101	-	4	134	24
500	75	30	27.0	37.5	120	-	5	144	33
625	85	34	30.6	44.0	141	-	6	164	43
750	95	38	34.2	48.0	145	-	6	182	50
1000	105	42	37.8	53.0	165	-	7	202	65
1250	120	48	43.2	60.0	185	-	8	230	80
1600	135	54	48.6	68.0	209	-	9	260	100
<b>QUADRUPLEX</b>									
2000	150	60	54	75	219	-	7	288	125
2500	170	70	62	90	275	-	9	330	170
3000	185	74	67	93	280	-	9	355	175
3500	205	82	74	103	310	-	10	393	220
4000	225	90	81	113	-	367	11	431	270
5000	250	100	90	125	-	403	12	480	325

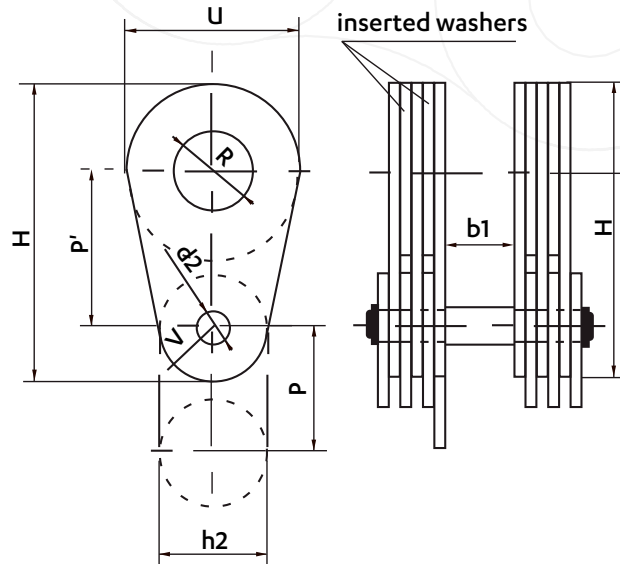
# CHAINS FOR SLUICE GATES

## TRIPLEX & QUADRUPLEX



**BEARING PINS WITH  
OUTBOARD WHEELS**

## TRIPLEX & QUADRUPLEX



**SPECIAL ATTACHMENT PLATES  
WITH WASHERS**

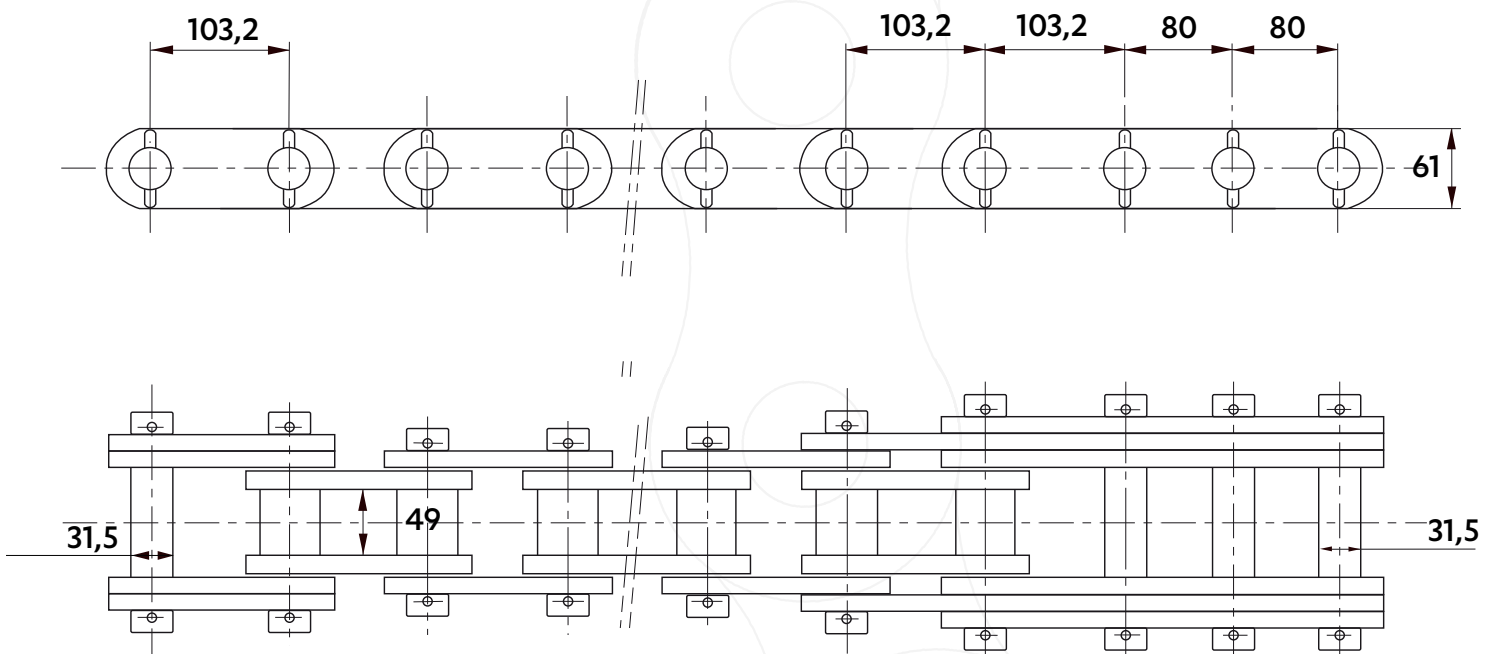
OUTBOARD WHEELS					SPECIAL ATTACHMENT PLATES							
Shouldered diameter	Bearing diameter	Bearing width	LOverall width	Extra weight per outboard wheel pin	Pitch	Diameter on chain	Ø setting hole	Rear radius	Front diameter	Overall length	Unit weight of special plates	Unit weight of inserted washers
d5	d1	M	A	kg	P	d2	R	V	u	H	kg	kg
<b>TRIPLEX</b>												
56	42	18,0	148,0	0,7	105	25,3	50,5	35,0	100	190	0,32	0,19
60	45	20,0	182,5	1,0	115	27,2	55,0	35,0	110	205	0,56	0,29
70	50	23,0	207,0	1,2	130	30,8	60,0	40,0	120	230	0,83	0,40
80	60	25,5	220,0	1,9	145	34,4	65,0	43,5	130	254	1,00	0,47
90	65	27,5	242,0	2,4	160	38,0	75,0	48,5	150	284	1,47	0,73
100	75	33,0	274,0	3,6	180	43,4	80,0	55,5	160	316	2,10	0,95
110	80	38,5	311,0	4,5	205	48,8	90,0	62,5	180	358	3,00	1,35
<b>QUADRUPLEX</b>												
120	90	40,5	330,0	6,1	230	54,2	110,0	70	220	410	3,10	1,56
140	100	45,5	399,0	8,9	265	63,2	120,0	80	250	470	5,25	2,65
140	110	51,0	413,0	10,0	280	67,2	130,0	85	280	505	6,20	3,40
150	120	57,0	464,0	14,5	310	74,2	140,0	95	300	555	8,30	4,30
170	135	61,0	501,0	17,5	340	81,2	150,0	105	320	605	10,70	5,40
190	150	70,0	553,0	26,5	380	90,2	160,0	115	340	665	13,90	6,55

# EXAMPLES OF PRODUCTS

“ Each chain is custom-made and designed as per your needs and depending on your constraints; the products displayed here are therefore only examples of our production possibilities. ”

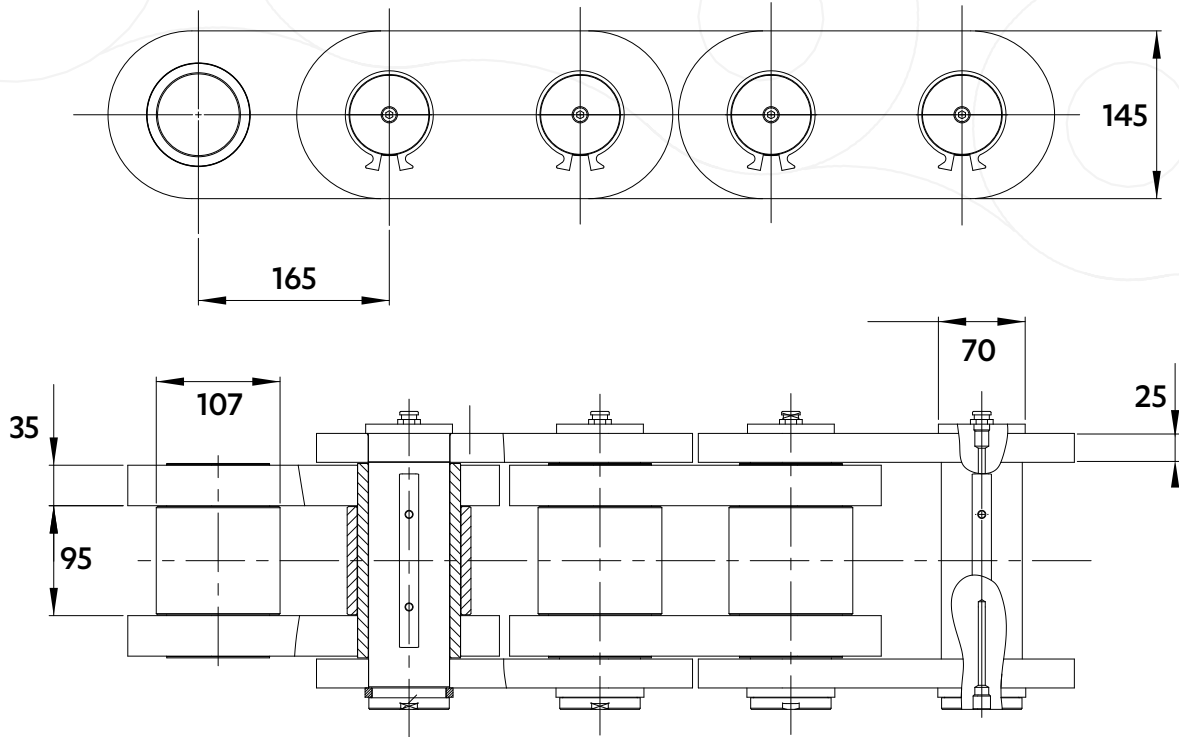
## SPECIAL CHAIN FOR SLUICE GATE

Ref : 5835-01  
442 kN

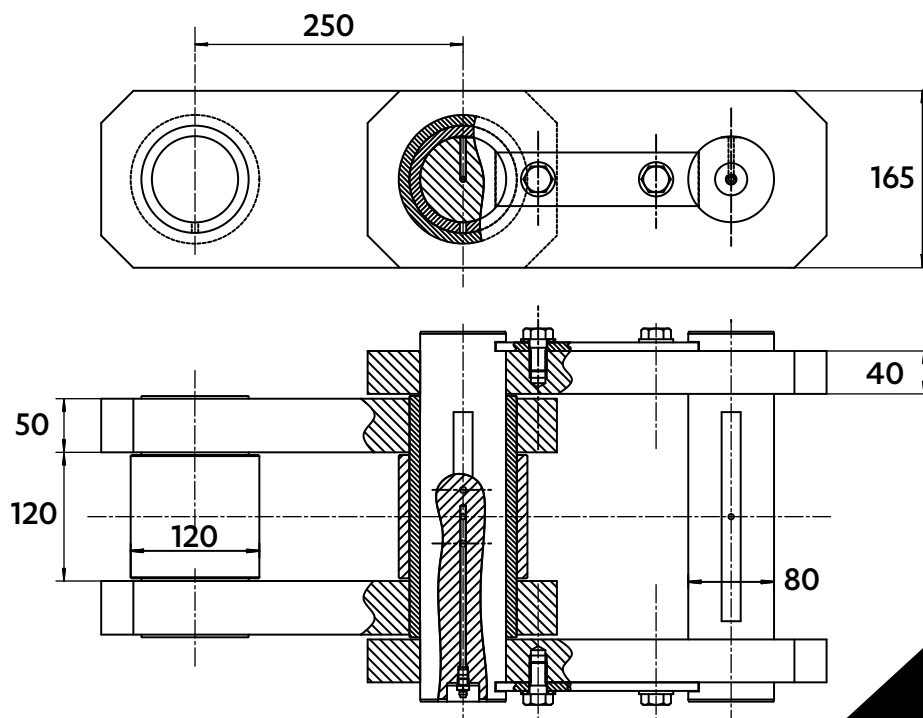


**CHAINS FOR STORM SURGE BARRIERS**

**Ref : 5974-02**  
3400 kN



**Ref : 5343-48**  
4415 kN



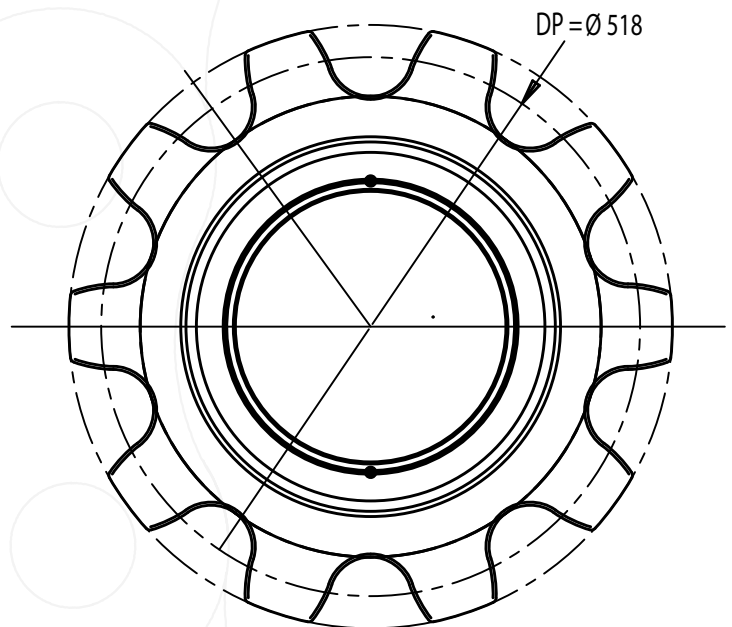
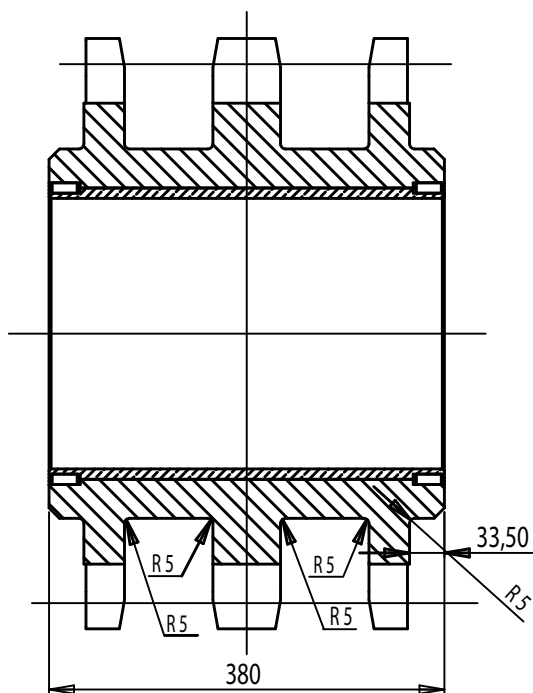
Bush chains enabling to **reduce the contact pressures** in the articulations, and equipped with **lubrication holes** for a longer service life.

# EXAMPLES OF PRODUCTS



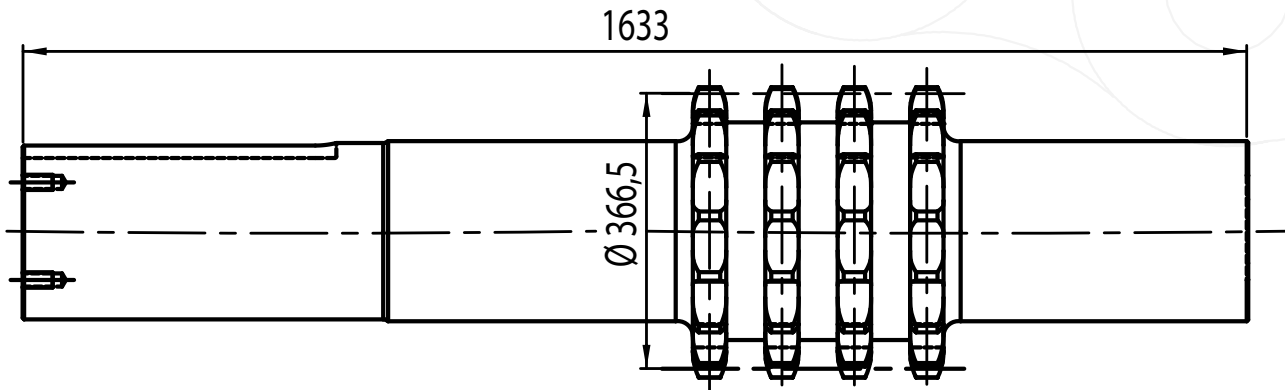
“ The indivisible set :  
A SEDIS quality chain and sprocket ”

Ref : 5894-07



**WHEELS, SPROCKETS & SHAFTS**

Ref : 5403-35



Ref : 5948-05

