

CHAINS WITH "K" ATTACHMENTS - comply with ISO 606

APPLICATIONS

Conveyors and special machines, mounting on transport systems using two or more chains in parallel.

DESPATCH POSSIBLE WITHIN 48 HOURS
for highlighted references
50M MAXIMUM (consult us)

MATCHING POSSIBLE FOR HIGHER ACCURACY

K1C



K3L



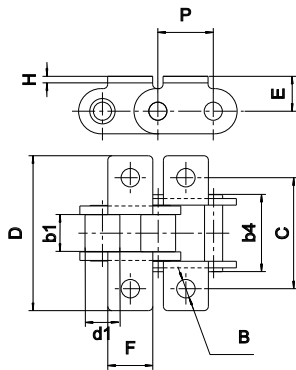
**** K1C ATTACHMENTS EVERY 2 PITCHES ON ONE SIDE ON OUTER LINKS AVAILABLE IN STOCK**

ATTACHMENTS K1C

fitting possible at every pitch on one or both sides
(Except for 17T. Minimum every 2 pitches on outer links on one or both sides)

Dimensions in mm

References	ISO 606	SEDIS	Pitch P	SEDIS RANGE				VERTE	d1	b1	b4	B	C	D	E	F	G	H
				ALPHA Premium	ALPHA Premium INOX	DELTA® HR	DELTA® Titanium 2											
K1C attachment on OUTER link																		
06B-1	3N	9,525	x		x	x		6,35	5,77	12,50	3,10	19,85	29,05	6,55	8,30			1
08B-1	7N	12,7	**		x	x	(1)	8,51	7,75	16,60	4,30	25,40	37,95	9,20	10,70			1,3
10B-1	11N	15,875	x		x	x	(1)	10,16	9,65	19,00	5,30	31,75	46,65	10,60	13,80			1,6
12B-1	13N	19,05	**		x	x	(1)	12,07	11,68	22,30	7,12	38,10	61,00	13,80	16,50			1,8
16B-1	15T	25,4	x	x	x	x	(1)	15,88	17,02	35,10	8,40	50,80	74,00	16,15	20,76			3
20B-1	17T	31,75	x		x	x		19,05	19,56	40,50	8,40	63,50	96,00	20,10	25,76			3,5
(*)	18T	38,1	x		x	x		25,40	25,40	53,10	11,00	88,00	129,00	25,00	38,00			5
K1C attachment on INNER link																		
08B-1	7N	12,7	x		x	x		8,51	7,75	16,60	4,30	25,40	35,55	9,20	10,70			1,6
10B-1	11N	15,875	x		x	x		10,16	9,65	19,00	5,30	31,75	42,65	10,60	13,80			1,6
12B-1	13N	19,05	x		x	x		12,07	11,68	22,30	7,12	38,10	57,00	13,80	16,50			1,8
16B-1	15T	25,4	x		x	x		15,88	17,02	35,10	8,40	50,80	74,00	16,15	20,76			3,9
20B-1	17T	31,75	x		x	x		19,05	19,56	40,50	8,40	63,50	96,00	20,10	25,76			4,5



K1L: Long angle bracket 1 hole
K2L: Long angle bracket 2 holes
K3L: Long angle bracket 3 holes

ATTACHMENTS - K1L- K2L- K3L

fitting at minimum every two pitches (one or both sides)

K1L attachment on OUTER link																		
06B-1	3N	9,525	x		x	x		6,35	5,77	12,50	3,10	19,85	29,05	6,55	17,70			1,00
08B-1	7N	12,7	x		x	x	(1)	8,51	7,75	16,60	4,30	25,40	37,95	9,20	24,50			1,30
10B-1	11N	15,875	x		x	x	(1)	10,16	9,65	19,00	5,30	31,75	46,65	10,60	29,50			1,60
12B-1	13N	19,05	x		x	x	(1)	12,07	11,68	22,30			Use K3L					
16B-1	15T	25,4	x	x	x	x	(1)	15,88	17,02	35,10	8,40	50,80	74,00	16,15	47,20			3,00
K1L attachment on INNER link																		
16B-1	15T	25,4	x		x	x	(1)	15,88	17,02	35,10	8,40	50,80	74,00	16,15	47,20			3,90
K2L attachment on OUTER link																		
06B-1	3N	9,525	x		x	x		6,35	5,77	12,50	3,10	19,85	29,05	6,55	17,70			1,00
08B-1	7N	12,7	x		x	x	(1)	8,51	7,75	16,60	4,80	25,40	37,95	9,20	24,50	12,70		1,30
10B-1	11N	15,875	x	x	x	x	(1)	10,16	9,65	19,00	5,30	31,75	46,65	10,60	29,50	15,88		1,60
12B-1	13N	19,05	x		x	x	(1)	12,07	11,68	22,30			Use K3L					
16B-1	15T	25,4	x	x	x	x	(1)	15,88	17,02	35,10	8,40	50,80	74,00	16,15	47,20	25,40		3,00
(*)	17T	31,75	x		x	x		19,05	19,56	40,50	10,40	69,00	100,00	21,00	57,50	31,70		3,50
(*)	18T	38,1	x		x	x		25,40	25,40	53,10	12,40	88,00	126,00	28,00	72,00	38,10		5,00
28B-1	20T	44,45	x		x	x		27,94	30,99	65,10	13,50	88,90	125,00	28,90	79,60	45,00		6,35
(*)	80-1	25,4	x		x	x		15,88	15,87	33,05	8,40	47,90	71,00	16,15	47,20	25,40		3,00
K2L attachment on INNER link																		
08B-1	7N	12,7	x		x	x		8,51	7,75	16,60	4,80	25,40	35,55	9,20	24,50	12,70		1,30
10B-1	11N	15,875	x		x	x		10,16	9,65	19,00	5,30	31,75	42,65	10,60	29,50	15,88		1,60
16B-1	15T	25,4	x		x	x	(1)	15,88	17,02	35,10	8,40	50,80	74,00	16,15	47,20	25,40		3,90
(*)	17T	31,75	x		x	x		19,05	19,56	40,50	10,40	69	100,00	21,00	57,50	31,7		3,50
K3L attachment on OUTER link																		
12B-1	13N	19,05	x	x	x	x	(1)	12,07	11,68	22,30	6,40	38,10	61,00	13,80	35,10	19,05		1,80
16B-1	15T	25,4	x	x	x	x	(1)	15,88	17,02	35,10	8,40	50,80	74,00	16,15	47,20	25,40		3,00
(*)	17T	31,75	x		x	x		19,05	19,56	40,5	8,4	63,5	94	20,2	58,2	31,75		3,5
K3L attachment on INNER link																		
16B-1	15T	25,4	x		x	x	(1)	15,88	17,02	35,10	8,40	50,80	74,00	16,15	47,20	25,40		3,90

(*) Warning, attachment dimensions do not comply with standards

DOUBLE PITCH CHAINS - comply with ISO 1275

K1, K2 attachment on OUTER link																		
210A	2050	31,75	x		x	x	(1)	10,16	9,65	20,45	5,30	31,60	50,60	12,00	28,00	15,90		2,00
K5 attachment on OUTER link																		
212A	2060	38,1	x		x	x	(1)	11,91	12,65	25,40	6,50	38,60	57,50	12,00	55,50	38,10		2,35

(1): References in Lub Free. In DELTA® VERTE please consult us
Also available in duplex or triplex chains

2060 chain with K5 attachment



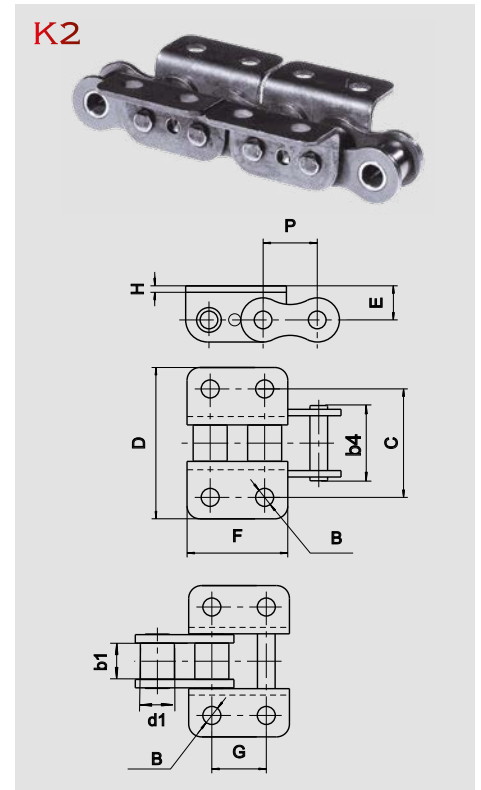
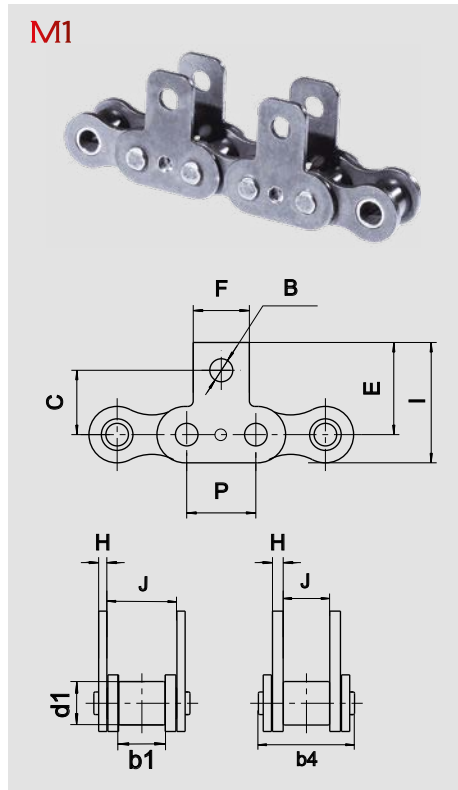
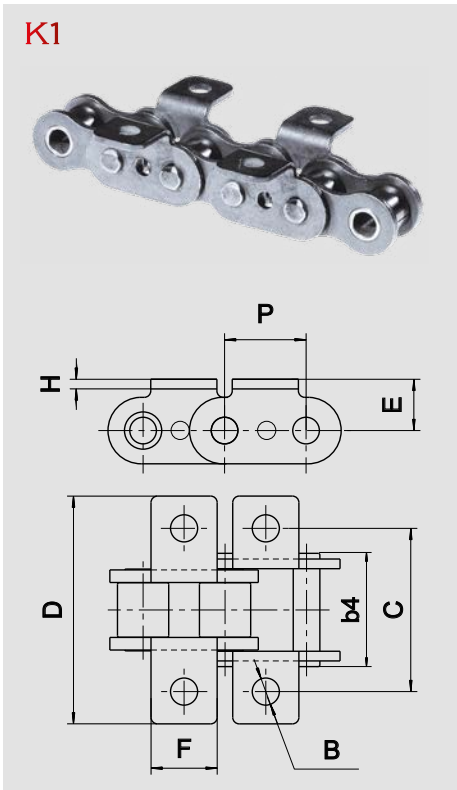
CHAINS WITH SPECIAL ATTACHMENTS TYPE "B"

Attachments not complying with ISO 606 fitted with with chains which complies with ISO 606

APPLICATIONS

Conveyor lines, mounting on transport systems generally using 2 chains in parallel

MATCHING POSSIBLE FOR HIGHER ACCURACY



Dimensions in mm

References		Pitch P	SEDIS RANGE					d1	b1	b4	B	C	D	E	F	G	H	I	J
ISO 606	SEDIS		ALPHA Premium	ALPHA Premium INOX	DELTA® HR	DELTA Titanium 2	VERTE CHAINS												
							max.	min.	max.	min.	nom.	max.	nom.	max.	nom.	min.	max.	min.	
K1 attachment on OUTER link																			
08B-1	7N	12,7	x	x	x	x	(1) 8,51	7,75	16,6	4,30	23,80	36,80	9,20	10,70		1,30			
10B-1	11N	15,875	x	x	x	x	(1) 10,16	9,65	19,0	5,30	31,75	45,00	10,60	13,80		1,60			
K1 attachment K1 on INNER link																			
08B-1	7N	12,7	x		x	x	8,51	7,75	16,6	4,30	23,80	32,90	9,20	10,70		1,60			
10B-1	11N	15,875	x		x	x	10,16	9,65	19,0	5,30	31,75	41,00	10,60	13,80		1,60			
M1 attachment M1 on OUTER link																			
08B-1	7N	12,7	x	x	x	x	(1) 8,51	7,75	16,6	4,30	12,70		19,00	10,70		1,30	25,10	11,45	
10B-1	11N	15,875	x	x	x	x	(1) 10,16	9,65	19,0	5,30	15,90		23,00	13,80		1,60	30,05	13,30	
12B-1	13N	19,05	x		x	x	(1) 12,07	11,68	22,3	7,12	22,20		32,45	16,50		1,80	40,75	15,75	
M1 attachment M1 on INNER link																			
08B-1	7N	12,7	x		x	x	8,51	7,75	16,6	4,30	12,70		19,00	10,70		1,60	25,10	7,75	
10B-1	11N	15,875	x		x	x	10,16	9,65	19,0	5,30	15,90		23,00	13,80		1,60	30,05	9,65	
12B-1	13N	19,05	x		x	x	12,07	11,68	22,3	7,12	22,20		32,45	16,50		1,80	40,75	11,68	
K2 attachment on OUTER link																			
12B-1	13N	19,05	x		x	x	(1) 12,07	11,68	22,3	5,52	34,90	52,00	11,70	35,10	19,05	1,80			
K2 attachment on INNER link																			
12B-1	13N	19,05	x		x	x	12,07	11,68	22,3	5,52	34,90	48,50	11,70	35,10	19,05	1,80			
M2 attachment on OUTER link																			
12B-1	13N	19,05	x		x	x	(1) 12,07	11,68	22,3	5,6	17,65	35,1	26,15	34,45	19,05	1,80			

(1): References in Lub Free. In DELTA® VERTE please consult us

To know the chains' UTS, see tables on pages 18 & 20

CHAINS WITH SPECIAL ATTACHMENTS TYPE "Z"

Attachments with long holes fitted with chains which complies with ISO 606

APPLICATIONS

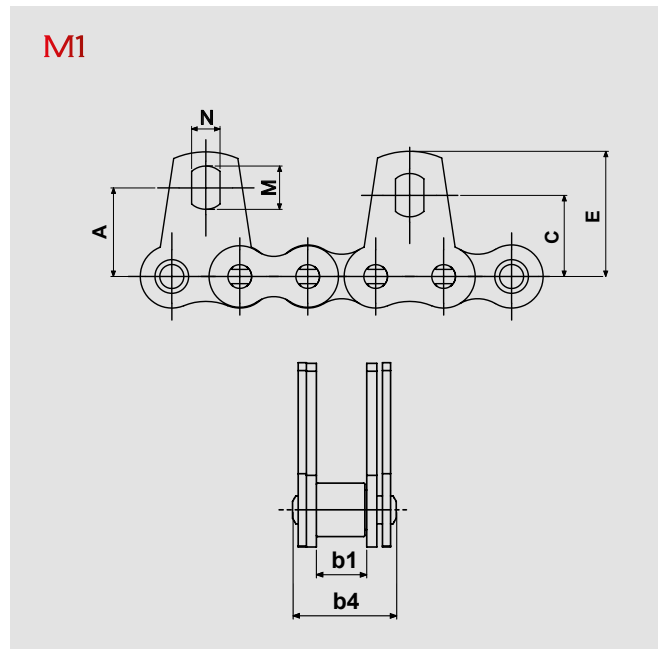
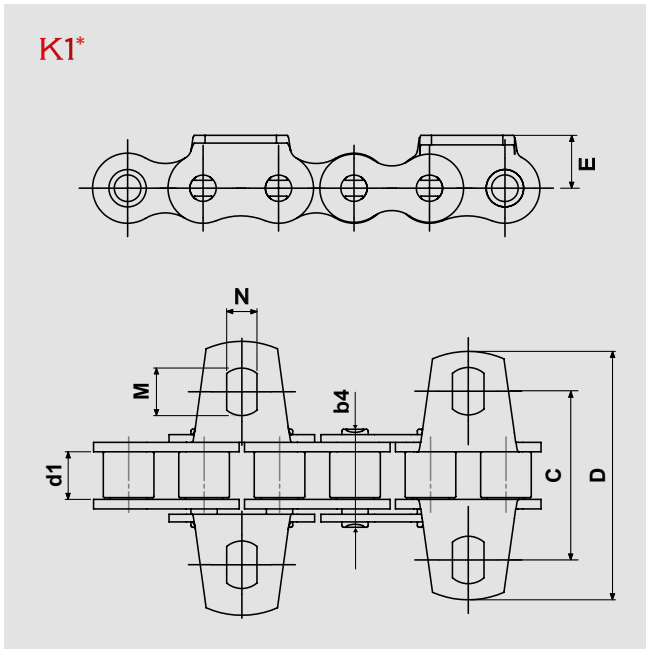
Conveyors, mounting on transport systems using 2 chains in parallel.

MATCHING POSSIBLE FOR HIGHER ACCURACY

DESPATCH POSSIBLE WITHIN 48 HOURS

for highlighted references

50M MAXIMUM (consult us)



Dimensions in mm

References		Pitch mm	SEDIS RANGE					d1 max.	b1 min.	b4 max.	A nom.	C nom.	D max.	E nom.	M min.	N min.
ISO 606	SEDIS		ALPHA Premium	ALPHA Premium INOX	DELTA® HR	DELTA TITANIUM 2	VERTE CHAINS									
K1 attachment on OUTER link																
08B-1	7N	12,7	x	x	x	x	(1)	8,51	7,75	16,6		28,5	45,3	9,2	8	5,2
K1 attachment on INNER link																
08B-1	7N	12,7	x	x	x	x		8,51	7,75	16,6		28,5	42	9,2	8	5,2
M1 attachment on OUTER link																
08B-1	7N	12,7	x	x	x	x	(1)	8,51	7,75	16,6	16,6	15,2	45,3	23,4	8	5,2
M1 attachment on INNER link																
08B-1	7N	12,7	x	x	x	x		8,51	7,75	16,6	16,6	15,2	42	23,4	8	5,2

(1): References in Lub Free. In DELTA® VERTE please consult us

To know the chains' UTS, see tables on pages 18 & 20

* Assembly of K1 attachments every 2 pitches minimum