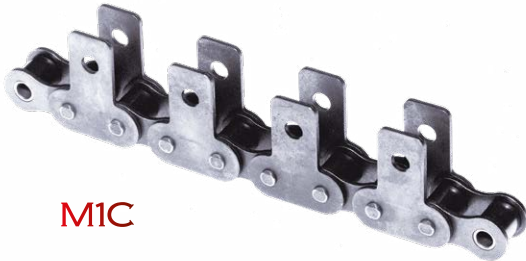


APPLICATIONS

Conveyors and special machines, mounting on transport systems using in general two or several chains in parallel

DESPATCH POSSIBLE WITHIN 48 HOURS
for highlighted references
50M MAXIMUM (consult us)



MIC



M3L

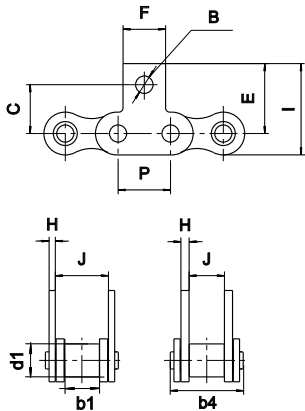
MATCHING POSSIBLE FOR HIGHER ACCURACY

ATTACHMENTS MIC

fitting possible at every pitch on one or both sides

Dimensions in mm

MIC: Short attachment with 1 hole

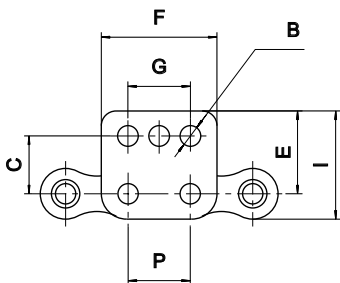


References		Pitch P	GAMME SEDIS					d1 max. min.	b1 max. min.	b4 max. min.	B nom. min.	C nom. min.	E max. min.	F nom. min.	G nom. min.	H nom. max.	I nom. max.	J min.
ISO 606	SEDIS		ALPHA Premium	ALPHA Premium INOX	DELTA® HR	DELTA Titanium 2	VERTE CHAINS											
M1C attachment on OUTER link																		
06B-1	3N	9,525	x		x	x	6,35	5,77	12,50	3,10	10,00	14,60	8,30		1,00	18,70	8,63	
08B-1	7N	12,7	x		x	x	(1) 8,51	7,75	16,60	4,30	13,80	20,00	10,70		1,30	26,10	11,45	
10B-1	11N	15,875	x		x	x	(1) 10,16	9,65	19,00	5,30	16,60	24,00	13,80		1,60	31,05	13,30	
12B-1	13N	19,05	x	x	x	x	(1) 12,07	11,68	22,30	7,12	22,20	32,45	16,50		1,80	40,75	15,75	
16B-1	15T	25,4	x	x	x	x	(1) 15,88	17,02	35,10	8,40	23,50	33,65	20,76		3,00	44,15	25,58	
20B-1	17T	31,75	x		x	x	19,05	19,56	40,50	8,40	31,75	46,00	25,76		3,50	58,83	29,14	
M1C attachment on INNER link																		
08B-1	7N	12,7	x		x	x	8,51	7,75	16,60	4,30	15,00	20,00	10,70		1,60	26,10	7,75	
10B-1	11N	15,875	x		x	x	10,16	9,65	19,00	5,30	18,30	24,00	13,80		1,60	31,05	9,65	
12B-1	13N	19,05	x		x	x	12,07	11,68	22,30	7,12	22,20	32,45	16,50		1,80	40,75	11,68	
16B-1	15T	25,4	x		x	x	15,88	17,02	35,10	8,40	27,30	36,80	20,76		3,90	47,30	17,02	

ATTACHMENTS - M1L - M2L - M3L

fitting possible at every pitch on one or both sides, except for 17T

M1L: Long attachment with 1 hole
M2L: Long attachment with 2 holes
M3L: Long attachment with 3 holes



M1L attachment on OUTER link																		
06B-1	3N	9,525	x		x	x	6,35	5,77	12,50	3,10	10,00	14,60	17,70		1,00	18,70	8,63	
08B-1	7N	12,7	x		x	x	(1) 8,51	7,75	16,60	4,30	13,80	20,00	24,50		1,30	26,10	11,45	
10B-1	11N	15,875	x		x	x	(1) 10,16	9,65	19,00	5,30	16,60	24,00	29,50		1,60	31,05	13,30	
12B-1	13N	19,05	x		x	x	(1) 12,07	11,68	22,30		Use M3L							
16B-1	15T	25,4	x	x	x	x	(1) 15,88	17,02	35,10	8,40	23,50	33,65	47,20		3,00	44,15	25,58	
M1L attachment on INNER link																		
08B-1	7N	12,7	x		x	x	8,51	7,75	16,60	4,30	15,00	20,00	24,50		1,60	26,10	7,75	
16B-1	15T	25,4	x		x	x	15,88	17,02	35,10	8,40	27,30	36,80	47,20		3,90	47,30	17,02	
M2L attachment on OUTER link																		
06B-1	3N	9,525	x		x	x	6,35	5,77	12,50	3,10	10,00	14,60	17,70	9,50	1,00	18,70	8,63	
08B-1	7N	12,7	x	x	x	x	(1) 8,51	7,75	16,60	4,80	13,80	20,00	24,50	12,70	1,30	26,10	11,45	
10B-1	11N	15,875	x		x	x	(1) 10,16	9,65	19,00	5,30	16,60	24,00	29,50	15,88	1,60	31,05	13,30	
12B-1	13N	19,05	x		x	x	(1) 12,07	11,68	22,30		Use M3L							
16B-1	15T	25,4	x	x	x	x	(1) 15,88	17,02	35,10	8,40	23,50	33,65	47,20	25,40	3,00	44,15	25,58	
16A-1	80-1	25,4	x		x	x	15,88	15,87	32,80	8,40	23,50	33,65	47,20		3,00	44,15	25,40	
M2L attachment on INNER link																		
08B-1	7N	12,7	x		x	x	8,51	7,75	16,60	4,80	15,00	20,00	24,50	12,70	1,60	26,10	7,75	
16B-1	15T	25,4	x		x	x	(1) 15,88	17,02	35,10	8,40	27,30	37,00	47,00	25,40	3,90	47,30	17,02	
M3L attachment on OUTER link																		
12B-1	13N	19,05	x	x	x	x	(1) 12,07	11,68	22,30	6,40	21,20	32,45	35,10	19,05	1,80	40,75	15,75	
16B-1	15T	25,4	x	x	x	x	(1) 15,88	17,02	35,10	8,40	23,50	33,65	47,20	25,40	3,00	44,15	25,58	
M3L attachment on INNER link																		
16B-1	15T	25,4	x		x	x	(1) 15,88	17,02	35,10	8,40	27,30	36,80	47,20	25,40	3,90	47,30	17,02	

DOUBLE PITCH CHAINS - comply with ISO 1275

M1, M2 attachment on OUTER link																		
210A	2050	31,75	x		x	x	10,16	9,65	20,45	5,30	16,80		28,00		2,00	33,05	13,97	
M5 attachment on OUTER link																		
212A	2060	38,1	x		x	x	11,91	12,65	25,40	6,50	17,60		55,50	38,10	2,35	35,70	17,80	

(1): References in Lub Free. In DELTA® VERTE please consult us
Also available in duplex or triplex chains

CHAINS WITH SPECIAL ATTACHMENTS TYPE "B"

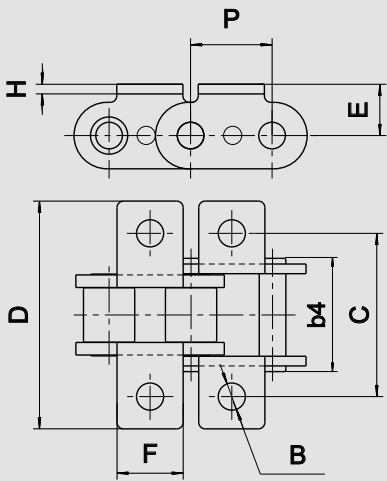
Attachments not complying with ISO 606 fitted with with chains which complies with ISO 606

APPLICATIONS

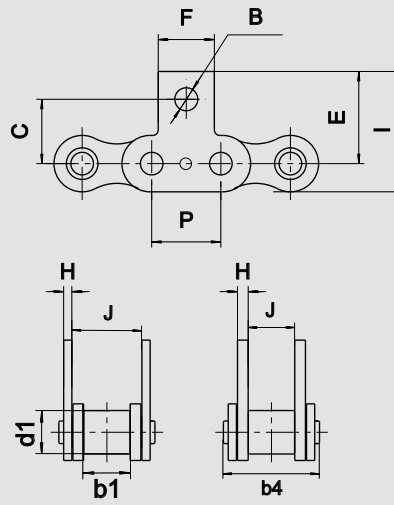
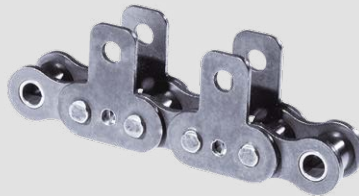
Conveyor lines, mounting on transport systems generally using 2 chains in parallel

MATCHING POSSIBLE FOR HIGHER ACCURACY

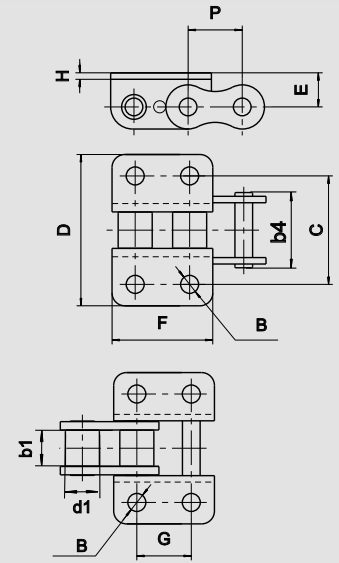
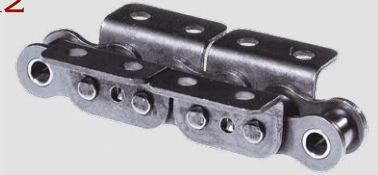
K1



M1



K2



Dimensions in mm

References		Pitch P	SEDIS RANGE					d1	b1	b4	B	C	D	E	F	G	H	I	J
ISO 606	SEDIS		ALPHA Premium	ALPHA Premium INOX	DELTA® HR	DELTA Titanium 2	VERTE CHAINS												
							max.	min.	max.	min.	nom.	max.	nom.	max.	nom.	min.	max.	min.	
K1 attachment on OUTER link																			
08B-1	7N	12,7	x	x	x	x	(1) 8,51	7,75	16,6	4,30	23,80	36,80	9,20	10,70		1,30			
10B-1	11N	15,875	x	x	x	x	(1) 10,16	9,65	19,0	5,30	31,75	45,00	10,60	13,80		1,60			
K1 attachment K1 on INNER link																			
08B-1	7N	12,7	x		x	x	8,51	7,75	16,6	4,30	23,80	32,90	9,20	10,70		1,60			
10B-1	11N	15,875	x		x	x	10,16	9,65	19,0	5,30	31,75	41,00	10,60	13,80		1,60			
M1 attachment M1 on OUTER link																			
08B-1	7N	12,7	x	x	x	x	(1) 8,51	7,75	16,6	4,30	12,70		19,00	10,70		1,30	25,10	11,45	
10B-1	11N	15,875	x	x	x	x	(1) 10,16	9,65	19,0	5,30	15,90		23,00	13,80		1,60	30,05	13,30	
12B-1	13N	19,05	x		x	x	(1) 12,07	11,68	22,3	7,12	22,20		32,45	16,50		1,80	40,75	15,75	
M1 attachment M1 on INNER link																			
08B-1	7N	12,7	x		x	x	8,51	7,75	16,6	4,30	12,70		19,00	10,70		1,60	25,10	7,75	
10B-1	11N	15,875	x		x	x	10,16	9,65	19,0	5,30	15,90		23,00	13,80		1,60	30,05	9,65	
12B-1	13N	19,05	x		x	x	12,07	11,68	22,3	7,12	22,20		32,45	16,50		1,80	40,75	11,68	
K2 attachment on OUTER link																			
12B-1	13N	19,05	x		x	x	(1) 12,07	11,68	22,3	5,52	34,90	52,00	11,70	35,10	19,05	1,80			
K2 attachment on INNER link																			
12B-1	13N	19,05	x		x	x	12,07	11,68	22,3	5,52	34,90	48,50	11,70	35,10	19,05	1,80			
M2 attachment on OUTER link																			
12B-1	13N	19,05	x		x	x	(1) 12,07	11,68	22,3	5,6	17,65	35,1	26,15	34,45	19,05	1,80			

(1): References in Lub Free. In DELTA® VERTE please consult us

To know the chains' UTS, see tables on pages 18 & 20

CHAINS WITH SPECIAL ATTACHMENTS TYPE "Z"

Attachments with long holes fitted with chains which complies with ISO 606

APPLICATIONS

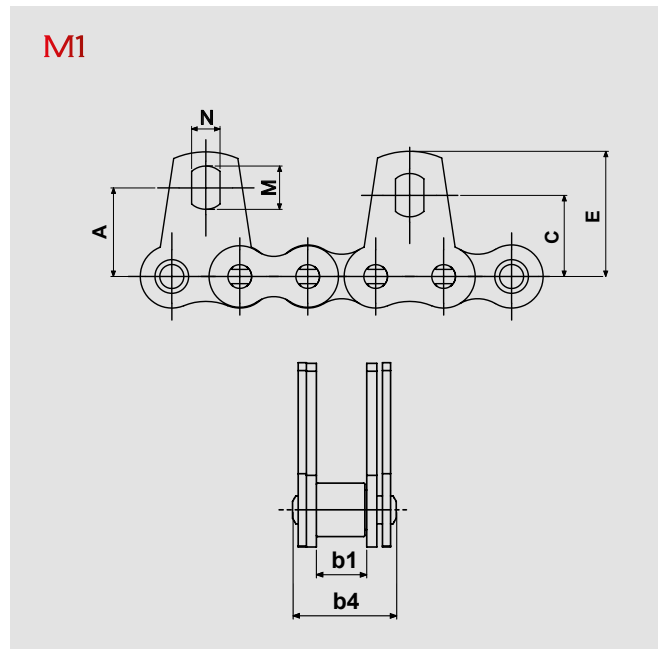
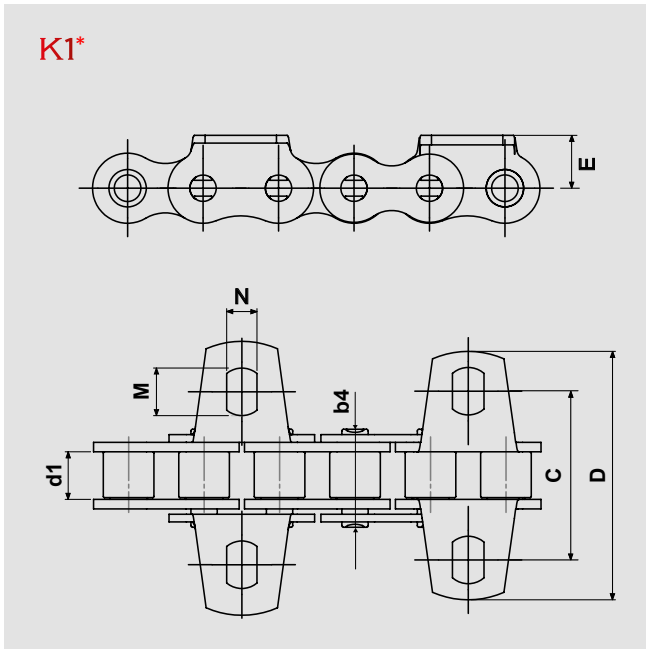
Conveyors, mounting on transport systems using 2 chains in parallel.

MATCHING POSSIBLE FOR HIGHER ACCURACY

DESPATCH POSSIBLE WITHIN 48 HOURS

for highlighted references

50M MAXIMUM (consult us)



Dimensions in mm

References		Pitch mm	SEDIS RANGE					d1 max.	b1 min.	b4 max.	A nom.	C nom.	D max.	E nom.	M min.	N min.
ISO 606	SEDIS		ALPHA Premium	ALPHA Premium INOX	DELTA® HR	DELTA TITANIUM 2	VERTE CHAINS									
K1 attachment on OUTER link																
08B-1	7N	12,7	x	x	x	x	(1)	8,51	7,75	16,6		28,5	45,3	9,2	8	5,2
K1 attachment on INNER link																
08B-1	7N	12,7	x	x	x	x		8,51	7,75	16,6		28,5	42	9,2	8	5,2
M1 attachment on OUTER link																
08B-1	7N	12,7	x	x	x	x	(1)	8,51	7,75	16,6	16,6	15,2	45,3	23,4	8	5,2
M1 attachment on INNER link																
08B-1	7N	12,7	x	x	x	x		8,51	7,75	16,6	16,6	15,2	42	23,4	8	5,2

(1): References in Lub Free. In DELTA® VERTE please consult us

To know the chains' UTS, see tables on pages 18 & 20

* Assembly of K1 attachments every 2 pitches minimum