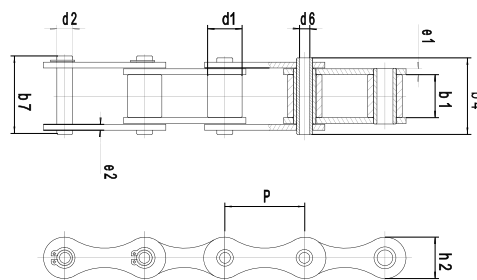


A-TYPE "AGRICULTURAL" CHAINS (HOLLOW PIN CHAINS)

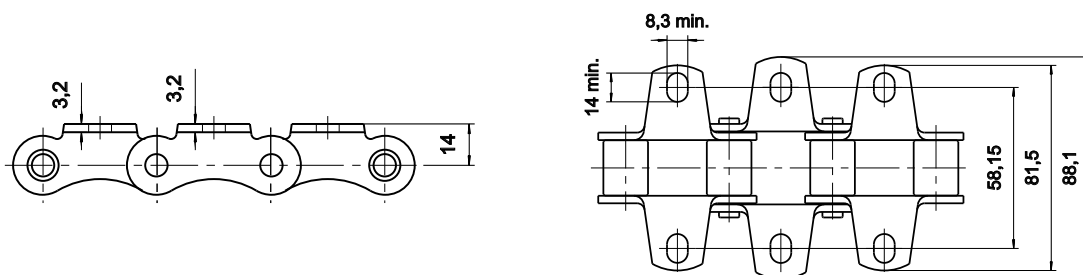
- These hollow pin chains allow the use of $\phi 8$ rods ($\phi 10$ mm for B255 chain)
- Connecting links available:
 - with spring clip or normal outer link for A55BC and A55 INOX
 - with cottered connecting link or normal outer link for chains A155TS and B255



Dimensions in mm

References	Pitch P	d1 max.	b1 min.	b4 max.	b7 max.	d2 max.	d6 min.	h2 max.	e1 max.	e2 max.	UTS kN	Mass per meter kg
A55BC	41,75	17,1	19,9	35,7	38,0	11,11	8,1	21,65	3,2	3,2	22,6	1,4
A155TS	41,75	17,1	19,9	35,7	42,5	11,11	8,1	25,26	3,2	3,2	49,0	2,0
B255	41,75	17,1	19,9	39,0	42,7	14,11	10,3	25,26	4,1	3,2	49,0	2,1
A55 INOX	41,75	17,1	19,9	35,0	36,7	11,11	8,2	20,50	3,2	3,2	17,6	1,3

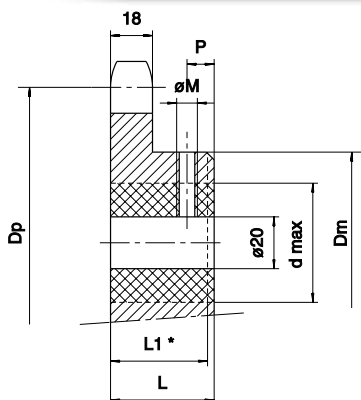
K1 ATTACHMENTS FOR A55BC (ZINC BI-CHROMATE PLATED)



STANDARD SPROCKETS FOR CHAINS A55 AND A155TS

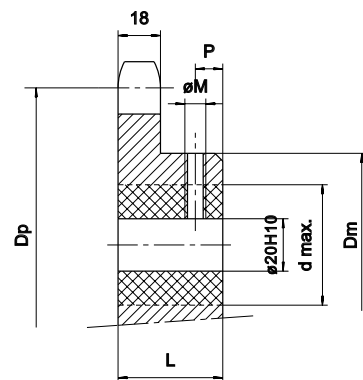
MANUFACTURING

- These steel sprockets are proposed either in cut or trimmed version. Cast iron sprockets are unpolished, tooth included.
- Any machining of these parts will be on demand and in relation to dimensions L1,d,M,P mentioned into the right column of the hereafter table
- Keyways also possible.



$L1^* = L - 3$

Dimensions in mm



Dimensions in mm

CAST IRON SPROCKETS: as cast							
References	Number of teeth	Dp	L	Dm	d max.	P	ØM
9F55	9	122,0	50	85	50	16	M8
11F55	11	148,2	50	90	50	16	M8
13F55	13	174,5	56	100	60	18	M10
15F55	15	200,8	56	100	60	18	M10

STEEL SPROCKETS: machined							
References	Number of teeth	Dp	L nom.	Dm max.	d max.	P nom.	ØM
9A55	9	122	50	80	50	12,5	M8
11A55	11	148,2	50	100	60	12,0	M8
13A55	13	174,5	63	130	85	16,0	M10
15A55	15	200,8	63	165	110	16,0	M10