

sedis 

**The quality of SEDIS
Chains recognised in
abattoirs**

ABATTOIRS

SEDIS 35, rue des Bas-Trévois CS 90104 - 10003 Troyes - France
Tel : +33 (0)3 25 76 29 50 - Fax : +33 (0)3 25 80 31 62
Web site : www.sedis.com - E-mail : <http://sedis.com/contact>





SEDIS is sure to find a solution for your needs.



Our DELTA® (Δ) range

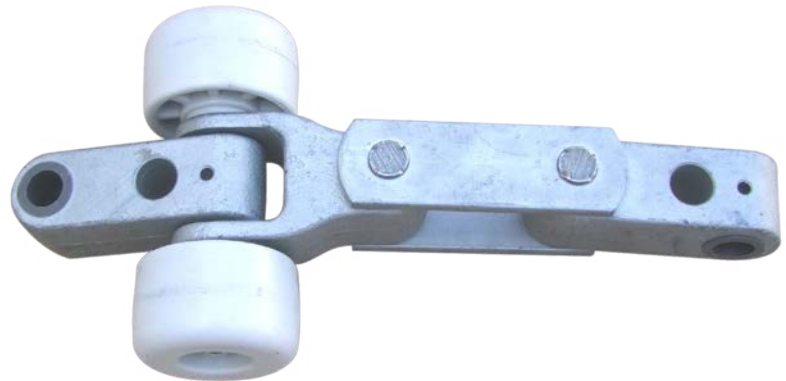
For extreme usage conditions and respect for the environment

The GREEN® Chain

THE LUBE FREE CHAIN

(100% ECOLOGICAL)

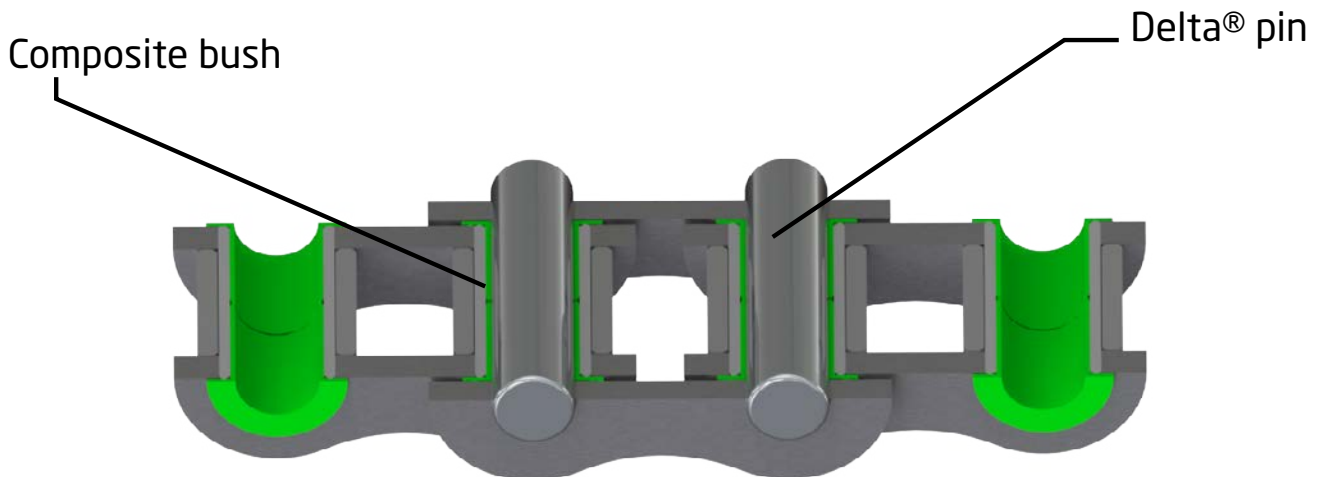
- > No pollution of transported products
- > Operates in water
- > High & low temperature application
- > Large reduction of maintenance costs



The lubrication free principle is based on the use of bushes made of a self-lubricating composite which allows the chain to operate without oil associated with a DELTA® pin.

In addition, the chain is protected against corrosion.

The GREEN® Chain

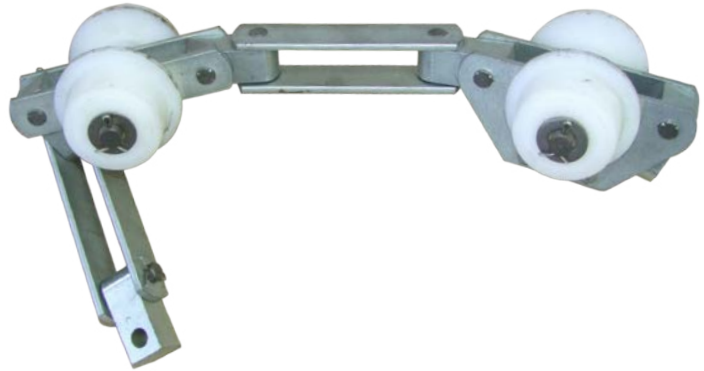


The DELTA® TITANIUM 2 Chain

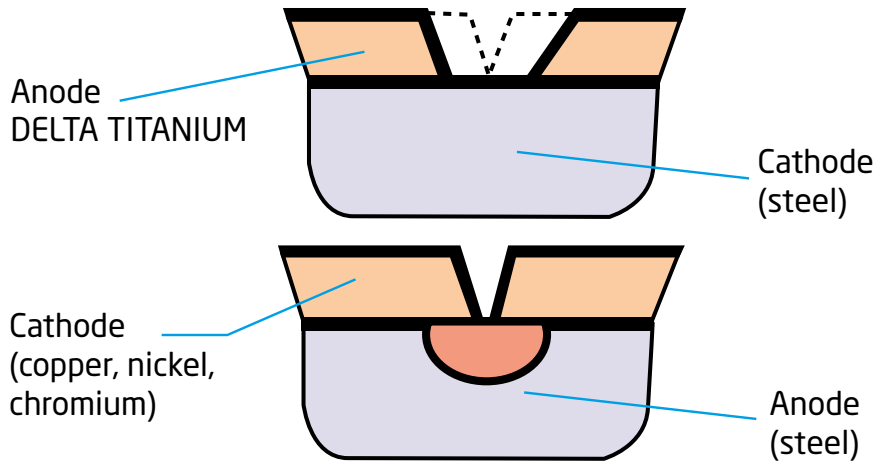
TREATMENT GUARANTEED TO BE 100% FREE OF CHROMIUM VI

ANTI-CORROSION PROTECTION

- > Tensile strength
- > Corrosion resistance (Zinc + Aluminium coating)
- > Wear resistance (Delta®HR)

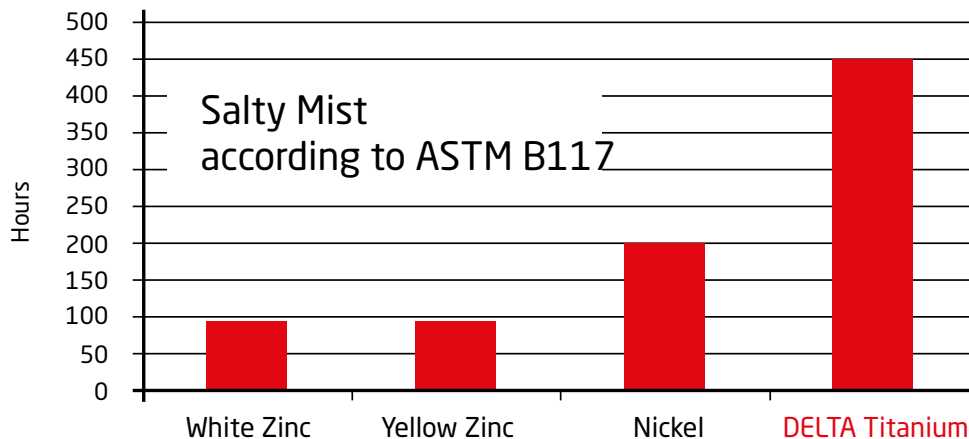


Cathodic protection



Physical protection

- DELTA® TITANIUM 2 chain
- Cathodic protection of the chain's metal parts

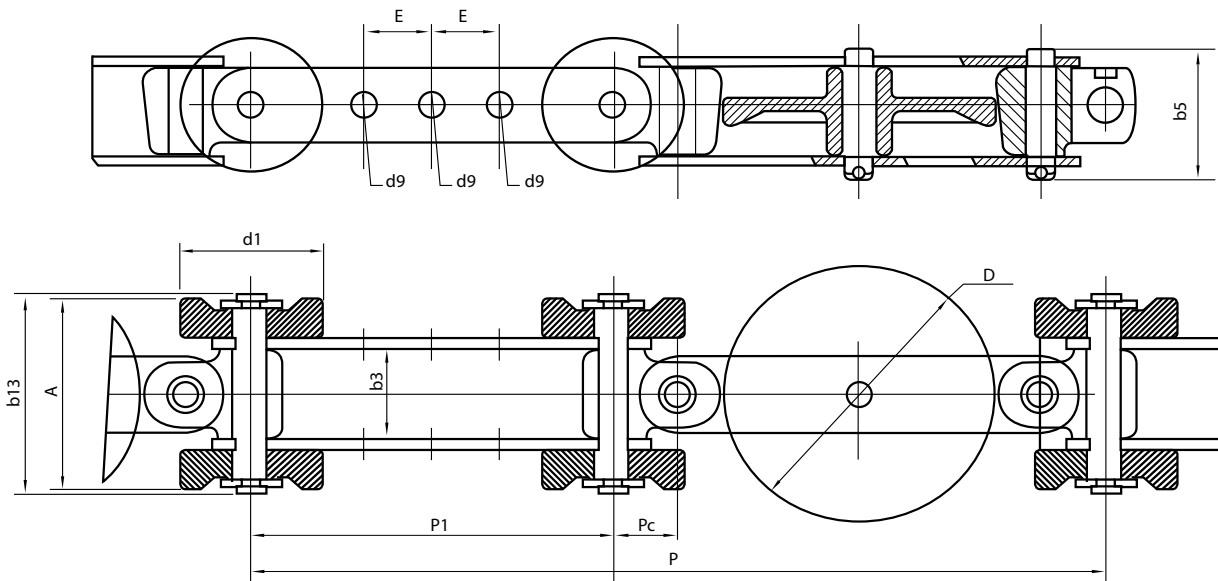


Multidirectional Chains

Bichromated zinc plated chains

Cardans made of forged steel with oil reserve. Directional rollers mounted on a treated steel ring. Directional roller pins carburized and hardened. Ball bearing rollers.

For Green® chains, the directional rollers are mounted on a composite ring.

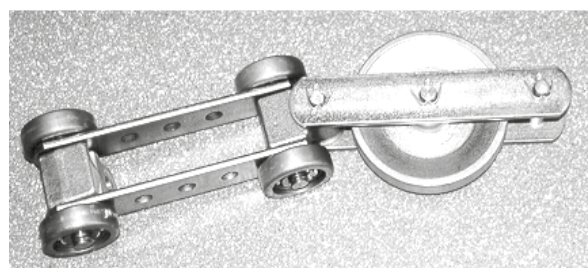


Dimensions in mm

| Chain | References | | P (Pc+2P1) | Pc | P1 | b3 | d9 | E | b5 | | b13 | A | D | d1 | Rr | |
|-------|------------|-----------------|---------------|------|-----|---------|----|------|----------|-----------------|------|------|-----|----|----------|-----------------|
| | Standard | DELTA® GREEN | | | | | | | Standard | DELTA® GREEN | | | | | Standard | DELTA® GREEN |
| | | | | | | | | | | | | | | | | |
| MAG 3 | 5695-01 | 5695-06 | 283 | 21,5 | 120 | 31,5/33 | 9 | 22,5 | 46 | 48,5 | 69,5 | 67,5 | 90 | 47 | 35 | |
| MAG 5 | 5681-01 | - | 355 | 27,5 | 150 | 39,2 | 12 | 30 | 58 | 58 | 86,5 | 83,5 | 110 | 52 | 80 | |



MAG 3 GREEN®

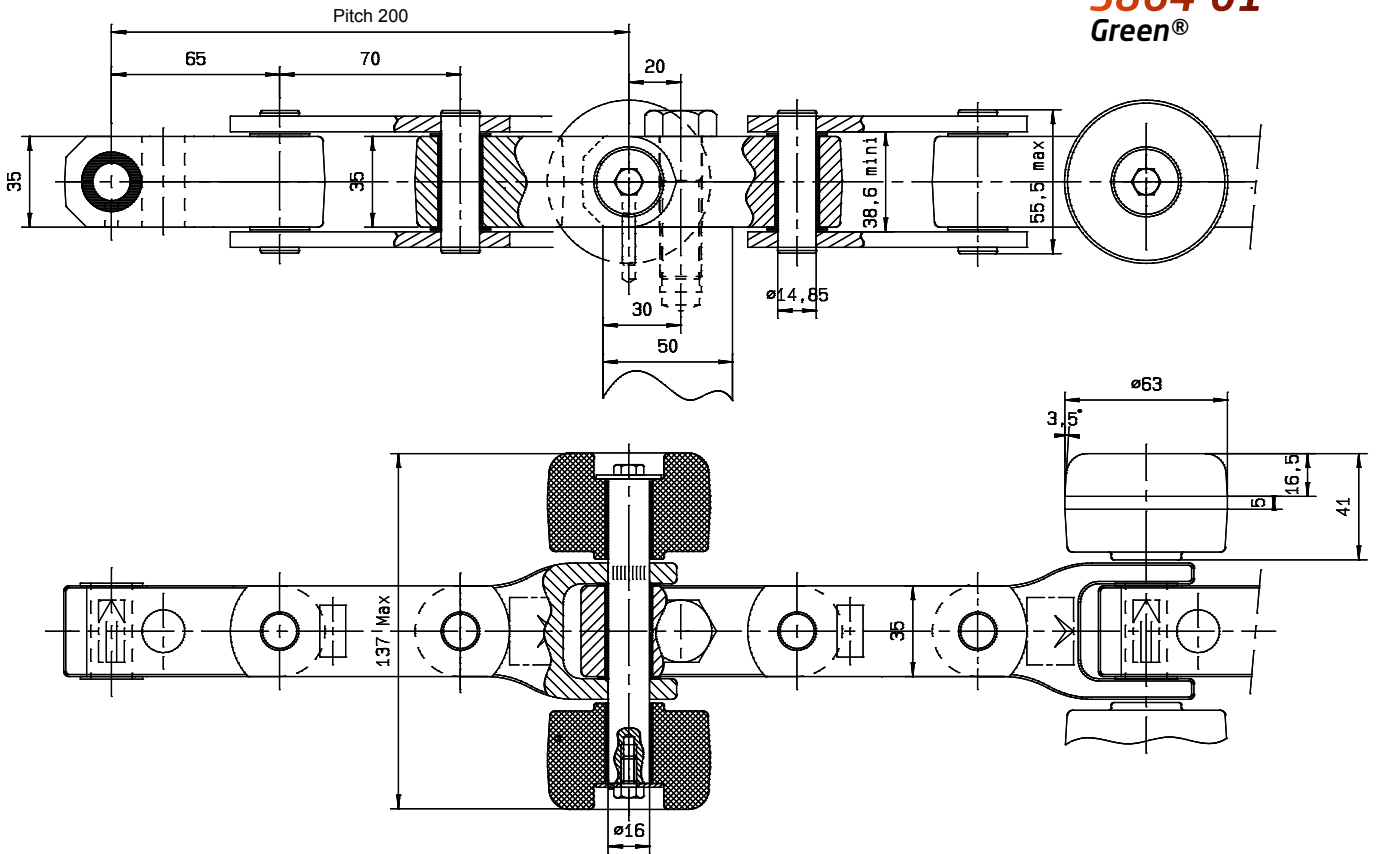


MAG 3 STANDARD

Multidirectional chains

Multi-purpose dual-plane Green® chain

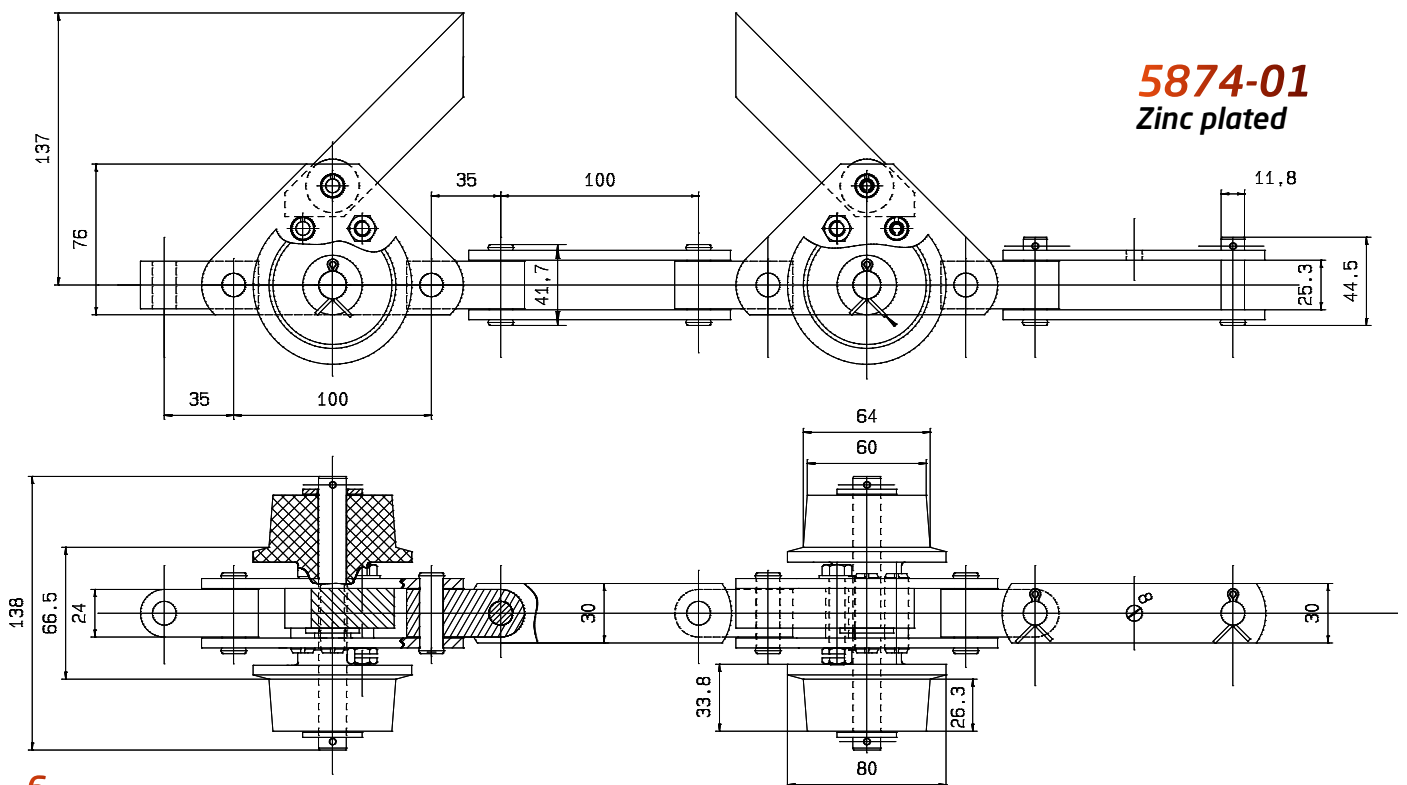
5864-01
Green®



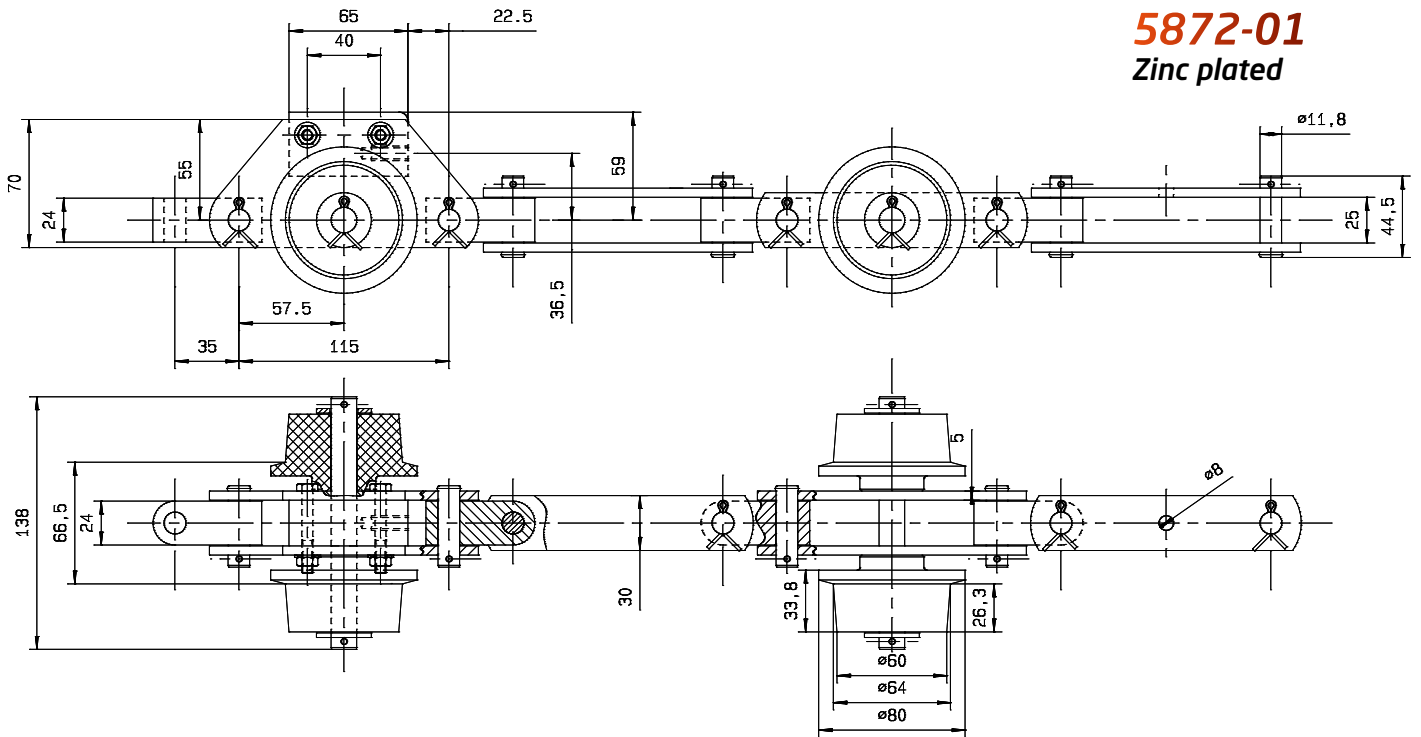
Sanitary tub return chains

Dual-plane chain

5874-01
Zinc plated



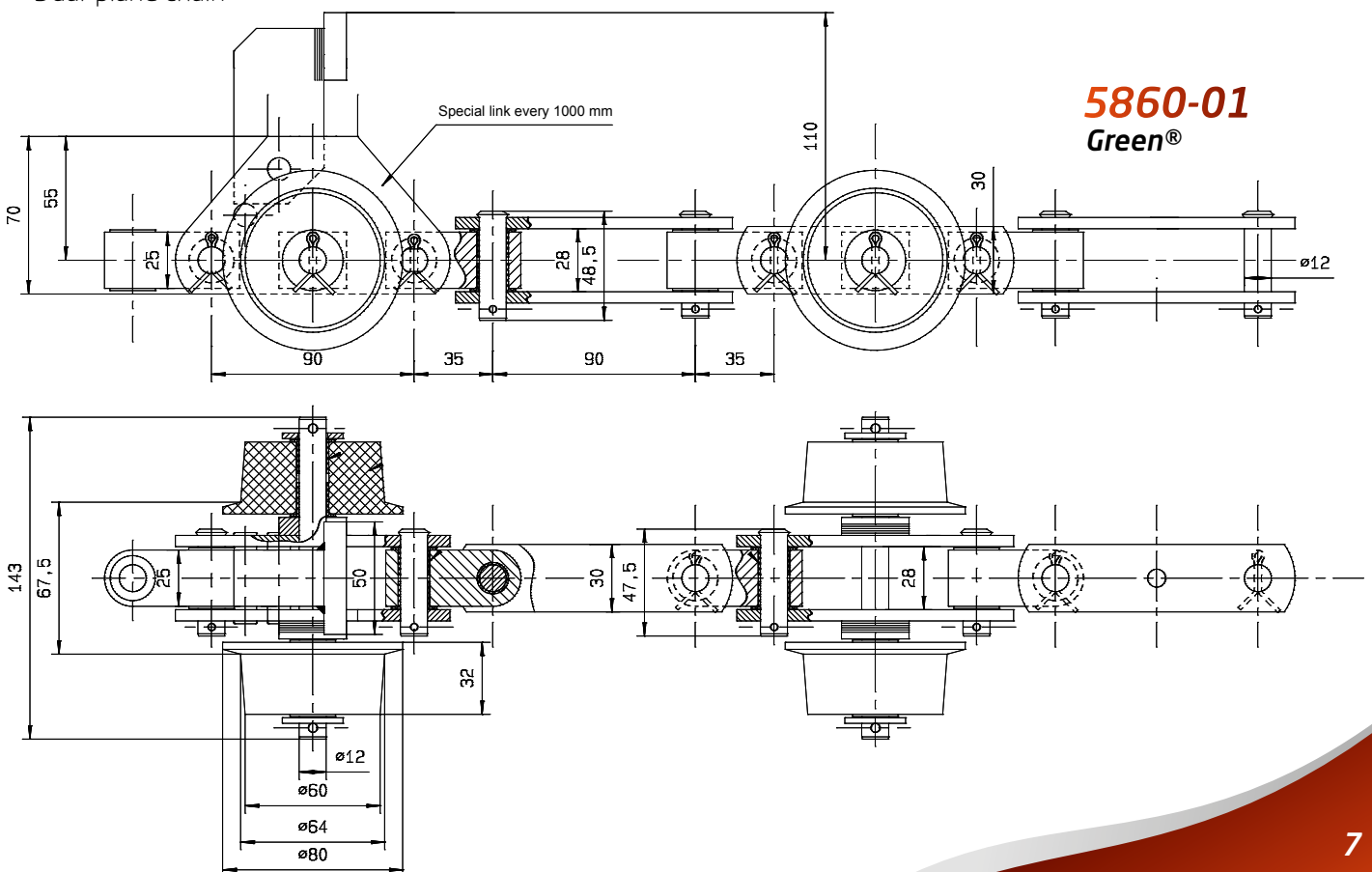
Dual-plane chain



5872-01
Zinc plated

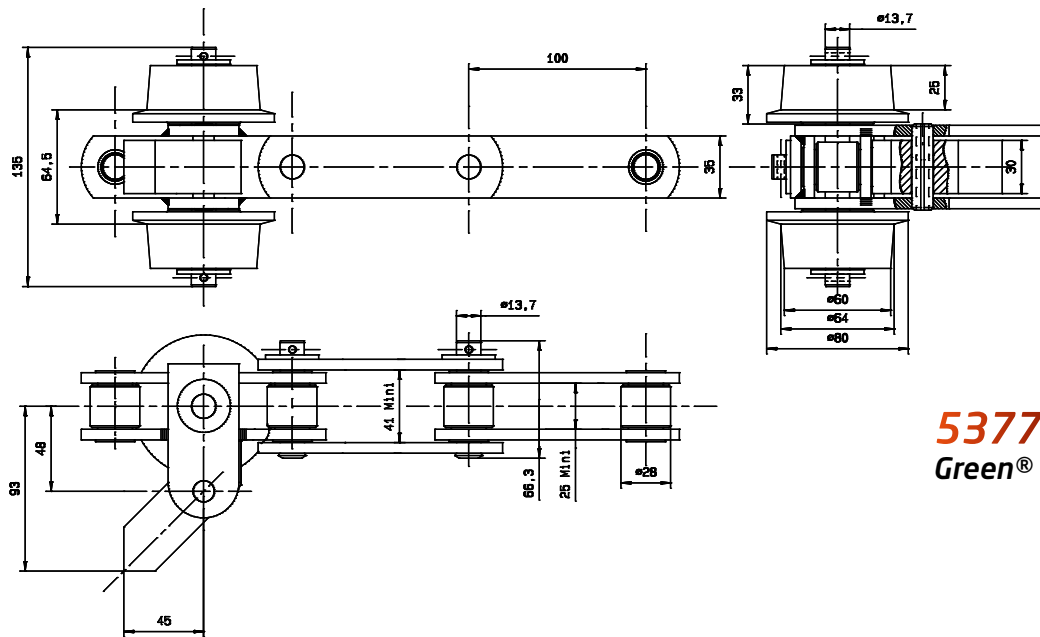
Pre-sweating conveyor chains

Dual-plane chain



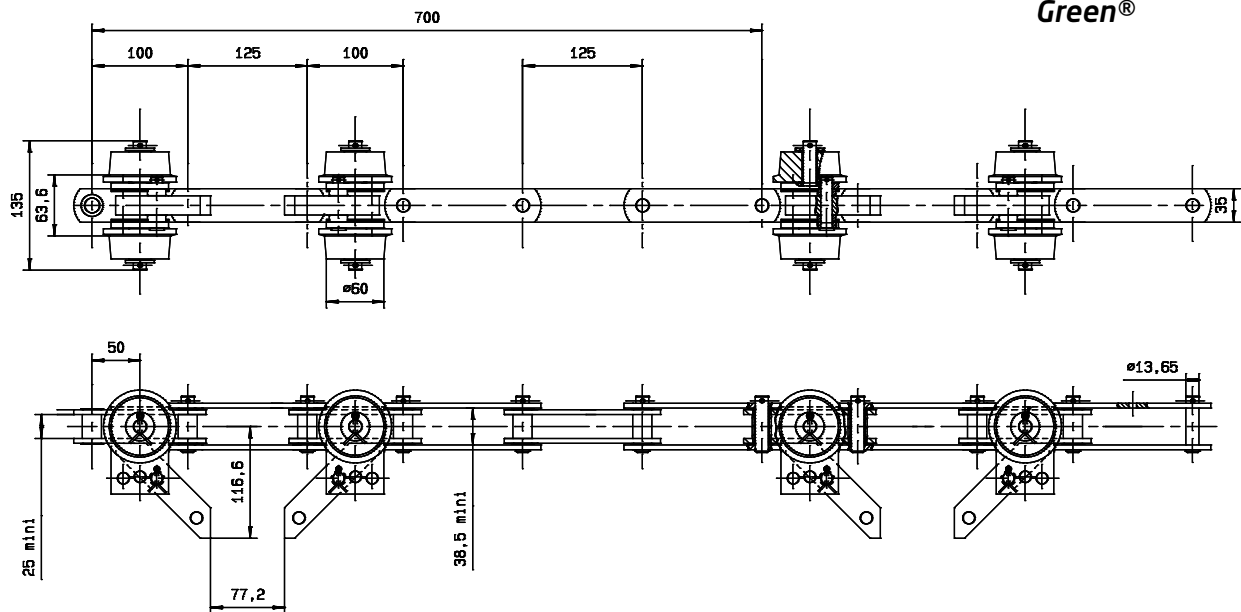
5860-01
Green®

Sweating chains



5377-63
Green®

De-hairer chains



5515-23
Green®

Wheels - sprockets - discs

